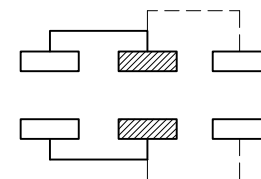
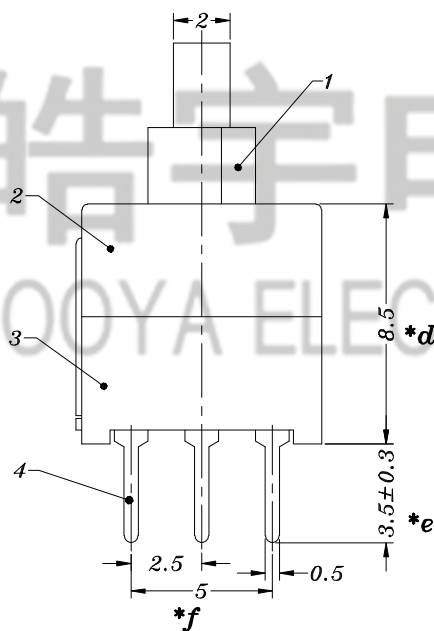
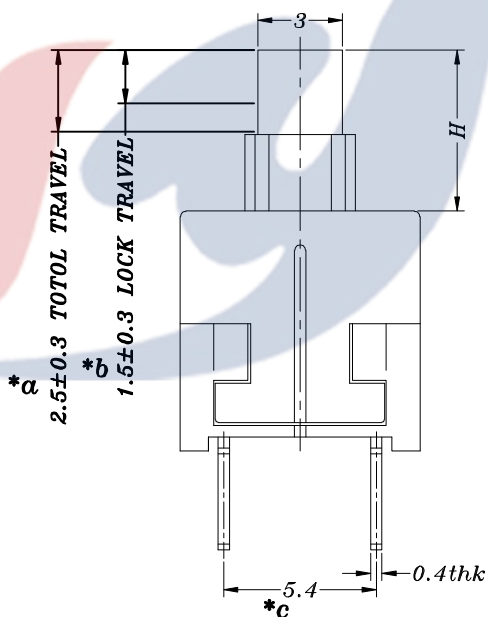


P.C.B LAYOUT



SCHEMATIC



SPECIFICATION

1. Rating: DC 12V 0.3A
2. Function: 2P2T
3. Contact Resistance: $\leq 70m\Omega$ MAX
4. Operating Force: 180±50gf, 250±80gf
5. Life test: 10,000 cycles

KNOB H		A
5.7	6.5	3*2

NO.	PART NAME	MATERIAL	QTY	FINISHING	TOLERANCE UNLESS SPECIFIED		NO DATE		REVISIONS		BY APPD	
7	PB22E85 CAM STICK	SUS	1	WASHING	UP TO 5mm: ±0.1	ANGULAR	A0	2019.2.20	首次发行		GYW	
6	PB22E85 SPRING	SUS	1	WASHING	ABOVE 5mm: ±0.2	±1°	NO	DATE	REVISIONS		BY	APPD
5	PB22E85 CONTACT CLIP	PBS	2	Ag CLAD	TITLE: PUSH SWITCH		UNIT : MM	ROHS COMPLIANT	DWN			
4	PB22E85 TERMINAL	PA66/0.4mm BRASS	2	BLACK/Ag PLATED	MODEL: PB-22E85PA-S-5.7A-C-W		SCALE: 5:1	CHK'D				
3	PB22E85 CASE	PA66	1	BLACK	HAOYU(HONGKONG)LIMITED 皓宇(香港)有限公司		APPD					
2	PB22E85 COVER	PA66	1	BLACK/蓝灰色			PRO.AGL:	REV :A0				
1	PB22E85-HA KNOB	PA66	1	WHITE/YELLOW/BLACK								