

**PLEASE CHECK WWW.MOLEX.COM FOR LATEST PART INFORMATION**

**Part Number:** [0638326000](#)  
**Status:** **Active**  
**Description:** Mini-Mac™ Applicator

**Documents:**

[RoHS Certificate of Compliance \(PDF\)](#)

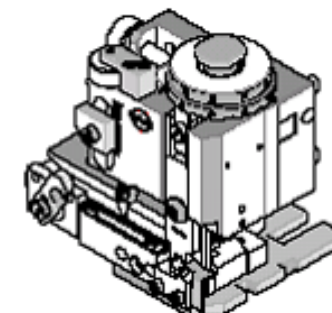
**General**

Product Family	Application Tooling
Series	T9999
Comments	<p style="margin-top: 0; margin-bottom: 0">See Tooling Specification (PDF) Above</li> <li><p style="margin-top: 0; margin-bottom: 0">This Terminator is set up to crimp male terminals</li> <li><p style="margin-top: 0; margin-bottom: 0">To crimp Crimp
Function	Global
Geographic Area	Automatic, Semi-Automatic
Level of Automation	applicationtooling@molex.com
More Detailed Tech Information	Mini-Mac™
Product Name	<a href="http://www.molex.com//review/apptool_survey.html">www.molex.com//review/apptool_survey.html</a>
Survey	Mini-Mac Applicator
Tool Type	800756645254
UPC	

**Material Info**

**Reference - Drawing Numbers**

Application Tooling Documents  
 ATS-638326000, TM-638000100, TM-638000100SP, TM-638800000, TM-638800000SP



*Series image - Reference only*

**EU ELV**

**Not Reviewed**

**EU RoHS**

**Not Reviewed**

**REACH SVHC**

Not Reviewed

**Halogen-Free**

**Status**

**Not Reviewed**

**Need more information on product environmental compliance?**

Email [productcompliance@molex.com](mailto:productcompliance@molex.com)  
 Please visit the [Contact Us](#) section for any non-product compliance questions.

China ROHS

Not Reviewed

ELV

Not Reviewed

**Search Parts in this Series**

T9999 Series

**Use With**

Molex TM-3000™: 63801-7200 , 63801-7300 , Molex TM-4000™: 63801-7600 , Molex TM-2000™: 63800-8300 , 63800-8400 , and Most Industry Standard Presses or Wire Process Machines