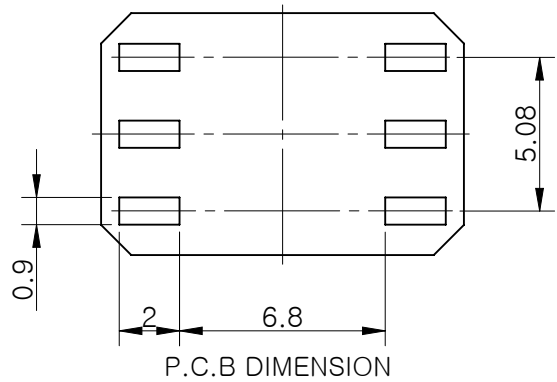
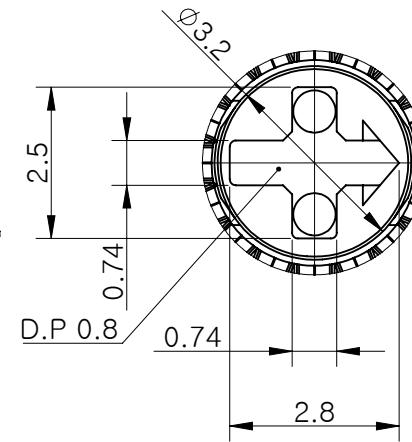
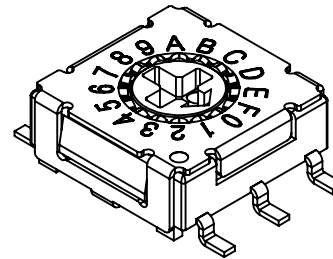
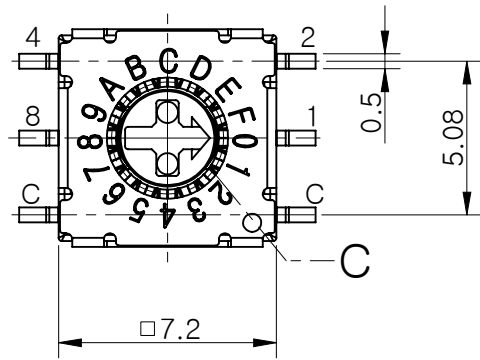


MRK.	DATE	REVISION	SIGN
△			



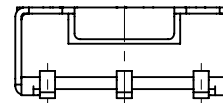
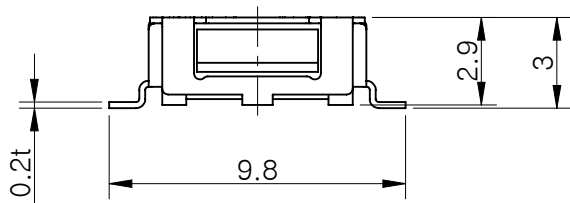
Specification

1. Operating Voltage : 42V
(None-Switching : 100mA, DC 50V)
(Switching : 100mA, DC 5V)
2. Contact Resistance : 100mΩ Max
3. Insulation Resistance : 100MΩ Min
4. Operating Force : 200gf.cm Max
5. Life cycle : 10,000 steps
6. Sealing : Comparable IP67



상세 C
축척 8 : 1

		Real Code				
		C	1	2	4	8
Position	0	●				
	1	●	●			
	2	●		●		
	3	●	●	●		
	4	●			●	
	5	●	●		●	
	6	●		●	●	
	7	●	●	●	●	
	8	●				●
	9	●	●			●
Position	A	●		●		●
	B	●	●	●		●
	C	●			●	●
	D	●	●		●	●
	E	●		●	●	●
	F	●	●	●	●	●



STANDARD LAYOUT

01	ASSEMBLY	재질 <지정안함>		1	-
NO.	DESCRIPTION	MATERIAL		COLOR/FINISH	VENDOR
DRAW/DESIGNED	CHECKED	APPROVED	G.TOL	TITLE	ASSEMBLY
			±0.1	MODEL	GSER-16S
2016-01-04			UNIT	SCALE	SHEET
			mm	4:1	
SUNGUN ELECTRONICS CO.,LTD			SIZE	DRAW NO.	1/1
			A4	GSER-16S0-01	