

**PLEASE CHECK WWW.MOLEX.COM FOR LATEST PART INFORMATION**

**Part Number:** **0190730096**  
**Status:** **Active**  
**Description:** Avikrimp™ Ring Tongue Terminal for 14 to 16 AWG Wire, Stud Size 8, Length 23.77mm (.936"), Mylar Tape Carrier

**Documents:**

[Drawing \(PDF\)](#) [RoHS Certificate of Compliance \(PDF\)](#)

**Agency Certification**

CSA LR18689  
 UL E32244

**General**

Product Family Ring and Spade Terminals  
 Series [19073](#)  
 Crimp Quality Equipment Yes  
 Mil-Spec N/A  
 Product Name Avikrimp™  
 Type Ring

**Physical**

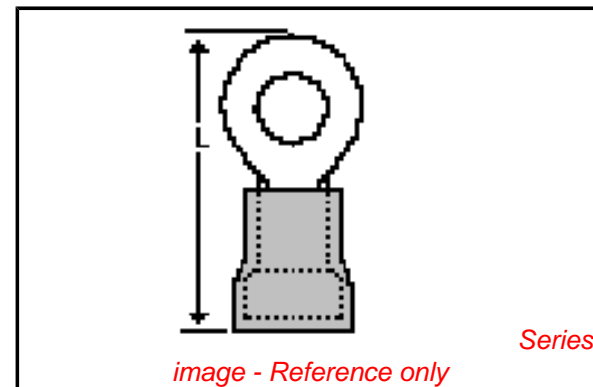
Barrel Type Closed  
 Flammability 94V-0  
 Insulation Nylon (PA)  
 Material - Plating Mating Tin  
 Packaging Type Adhesive Tape on Reel  
 Plating min: Mating (µin) 100  
 Plating min: Mating (µm) 2.5  
 Plating min: Termination (µin) 100  
 Plating min: Termination (µm) 2.5  
 Stud Size 8 (M4)  
 Wire Insulation Diameter 4.32mm (.170") max.  
 Wire Size AWG 14, 16  
 Wire Size mm² 1.30 - 2.00

**Material Info**

Old Part Number BB-839-08T

**Reference - Drawing Numbers**

Sales Drawing SD-19073-006



**EU RoHS**

**ELV and RoHS Compliant**  
**REACH SVHC**  
 Not Reviewed  
**Halogen-Free Status**  
**Not Reviewed**

**China RoHS**



**Need more information on product environmental compliance?**

Email [productcompliance@molex.com](mailto:productcompliance@molex.com)  
 For a multiple part number RoHS Certificate of Compliance, [click here](#)

Please visit the [Contact Us](#) section for any non-product compliance questions.

**Search Parts in this Series**

[19073Series](#)

**Application Tooling | [FAQ](#)**

*Tooling specifications and manuals are found by selecting the products below. Crimp Height Specifications are then contained in the Application Tooling Specification document.*

**Global**

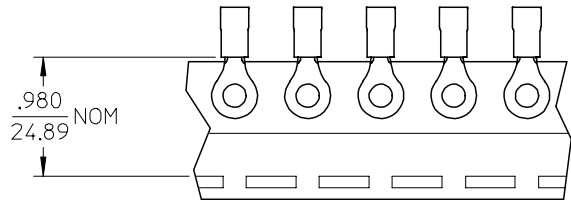
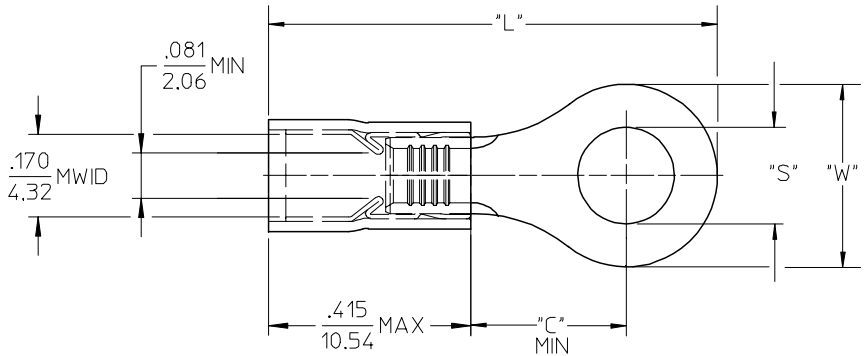
| Description   | Product #                  |
|---|----------------------------|
| Crimp Dies for MTA-100 Tape Applicator used in 3BF Press, MTA-105 Tape Applicator used in TM-2000™ Press, and ATP-301 Air Crimping Press for Mylar Tape Mounted Terminals | <a href="#">0192880123</a> |
| Mini-Mac™ Applicator  | <a href="#">0638850400</a> |

This document was generated on 04/12/2010

**PLEASE CHECK [WWW.MOLEX.COM](http://WWW.MOLEX.COM) FOR LATEST PART INFORMATION**

19073

| MATERIAL NUMBER | ENG. NO.  | MATERIAL NUMBER TAPE MOUNTED | ENG. NO.   | STUD SIZE | "S" ±.005   | "W" MAX     | "C" MIN     | "L" MAX      |
|-----------------|-----------|------------------------------|------------|-----------|-------------|-------------|-------------|--------------|
| 190730081       | BB-837-04 | -----                        | -----      | 04        | .119 (3.02) | .322 (8.18) | .285 (7.24) | .885 (22.48) |
| 190730083       | BB-837-06 | 190730084                    | BB-837-06T | 06        | .146 (3.71) |             |             |              |
| 190730085       | BB-837-08 | 190730086                    | BB-837-08T | 08        | .173 (4.39) |             |             |              |
| 190730087       | BB-837-10 | 190730088                    | BB-823-10T | 10        | .198 (5.03) |             |             |              |
| 190730302       | BB-839-06 | 190730093                    | BB-839-06T | 06        | .146 (3.71) | .352 (8.94) | .310 (7.87) | .936 (23.77) |
| 190730094       | BB-839-08 | 190730096                    | BB-839-08T | 08        | .173 (4.39) |             |             |              |
| 190730097       | BB-839-10 | 190730099                    | BB-839-10T | 10        | .198 (5.03) |             |             |              |



SALES DRAWING

- NOTES:
1. MATERIAL: COPPER (.031/0.79) THICK  
PLATING: ELECTROPLATE TIN
  2. FERRULE: TIN-PLATED BRASS
  3. INSULATION: BLUE NYLON
  4. MWID=MAXIMUM WIRE INSULATION DIA.
  5. ALL DIMENSIONS IN INCHES (MM).
  6. WIRE SIZE: 16-14 AWG  
1.0-2.5 MM<sup>2</sup>

|   |                               |                                       |       |   |                       |                        |   |  |
|---|-------------------------------|---------------------------------------|-------|---|-----------------------|------------------------|---|--|
| EC NO: ETC2004-0123<br>DRWN:DMYRICK 2004/01/05<br>CHKD:SBEITZEL 2004/01/05<br>APPR:RDEROSS 2004/01/06 | QUALITY SYMBOLS               | GENERAL TOLERANCES (UNLESS SPECIFIED) |       | SCALE 4:1   | DESIGN UNITS INCH     | THIRD ANGLE PROJECTION | REVISE ON CAD ONLY                                  |  |
|   | DESCRIPTION<br>▼ = 0<br>▽ = 0 |                                       | mm    | INCH  | DIMENSION STYLE IN/MM |                        | TITLE   |  |
|   |                               | 4 PLACES                              | ± --- | ± ---   | DRAWN BY DMYRICK      | DATE 03/12/15          | RING TONGUE TERMINAL AVIKRIMP, 800-SERIES 16-14 AWG |  |
|   |                               | 3 PLACES                              | ± --- | ± .005  | CHECKED BY SBEITZEL   | DATE 03/12/15          | MOLEX INCORPORATED                                  |  |
|   | 2 PLACES                      | ± 0.13                                | ± .01 | APPROVED BY RDEROSS   | DATE 03/12/15         | MATERIAL NO. SEE CHART | DOCUMENT NO. SD-19073-006                           |  |
|   | 1 PLACE                       | ± 0.25                                | ± --- | DRAFT WHERE APPLICABLE MUST REMAIN WITHIN DIMENSIONS  |                       | SHEET NO. 1 OF 1       |   |  |
|   |                               | ANGULAR ± 1 °                         |       | THIS DRAWING CONTAINS INFORMATION THAT IS PROPRIETARY TO MOLEX INCORPORATED AND SHOULD NOT BE USED WITHOUT WRITTEN PERMISSION |                       |                        |   |  |