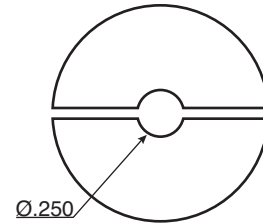
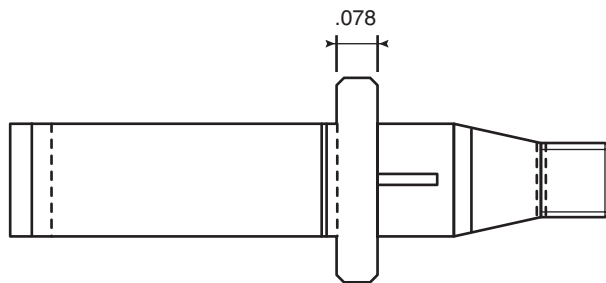
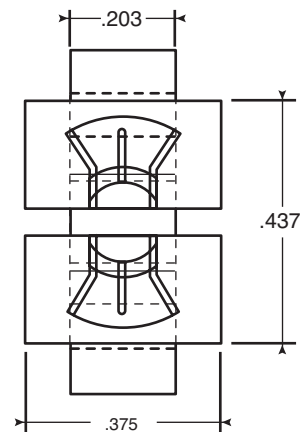
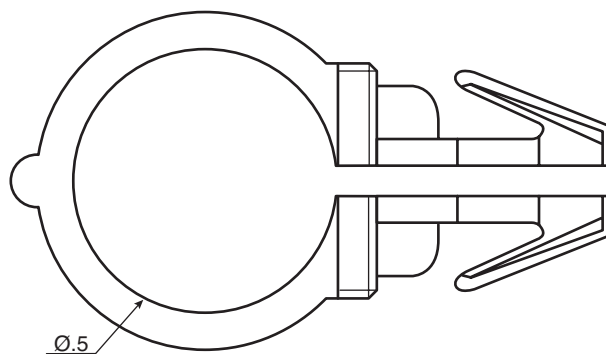


Date Last Revised: 8-2-2006



Note: To fit a .250 hole with slot
see detail above
Panel Thickness .030 to .125



Dimensions: In.

RoHS Compliant

Mouser Electronics

Authorized Distributor

Click to View Pricing, Inventory, Delivery & Lifecycle Information:

[Eagle Plastic Devices:](#)

[561-RC2550](#)