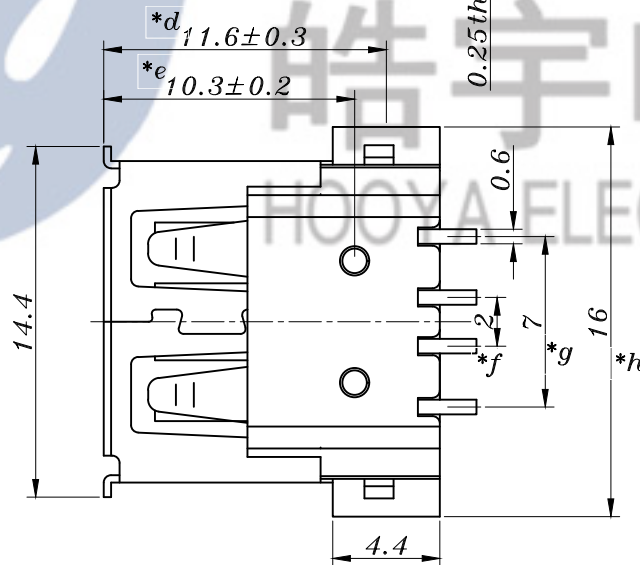
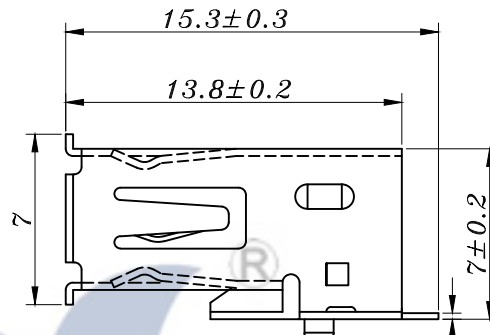
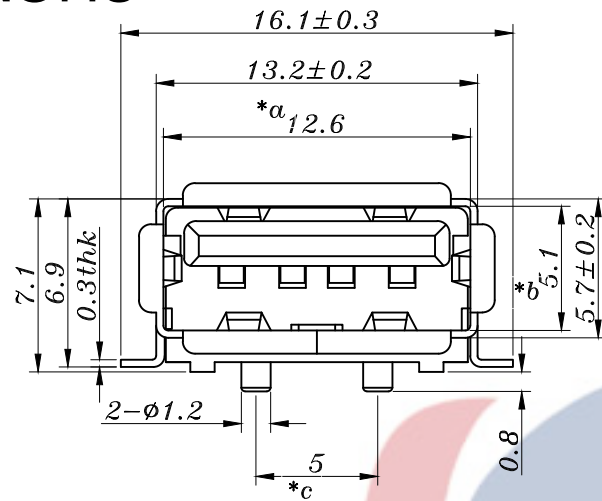
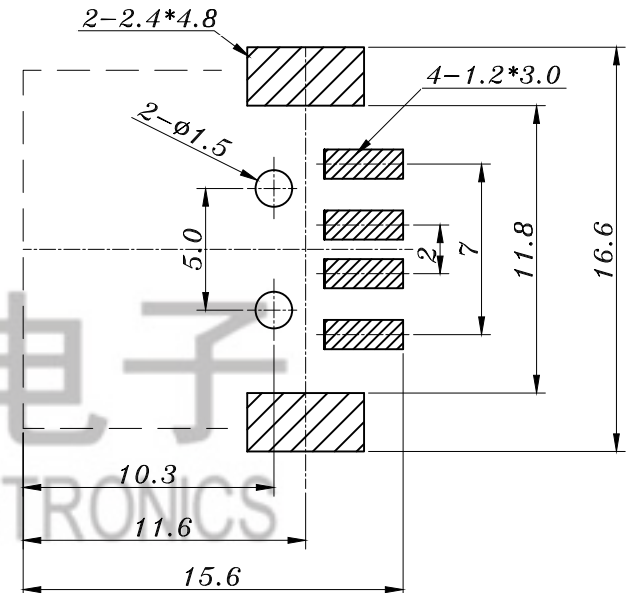


ROHS



PCB LAYOUT



注: W:白色胶舌 FE: 外壳为铁

				TOLERANCE UNLESS SPECIFIED						
				UP TO 5mm: ±0.1	ANGULAR	1				
				ABOVE 5mm: ±0.2	±1°	NO	DATE	REVISIONS	BY	APPD
				TITLE: USB JACK			UNIT : MM	ROHS	DWN	
				MODEL: USB-104A-W-FE 柱径1.2mm			SCALE: 1:1	COMPLIANT	CHK'D	
				HAOYU(HONGKONG)LIMITED 皓宇(香港)有限公司			APPD			
							PRO.AGL:		REV: A1	
NO.	PART	NAME	MATERIAL	QTY	FINISHING					
3	CONTACT FOOT		PHOSPHOR BRONZE	4	Sn-PLATED					
2	COAT		IRON	1	Ni-PLATED					
1	HOUSING		LCP	1						