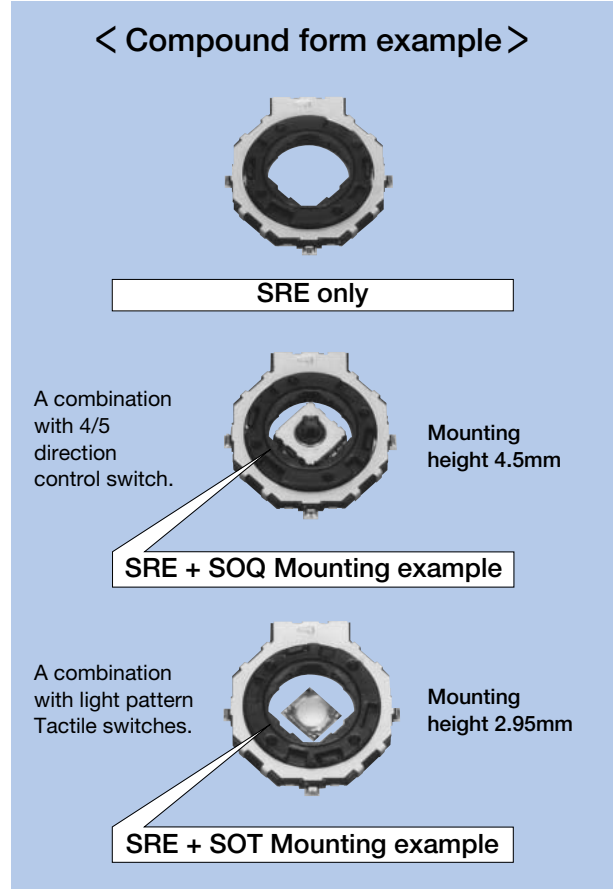


# Rotary Encoder Switches SRE Series

## FEATURES

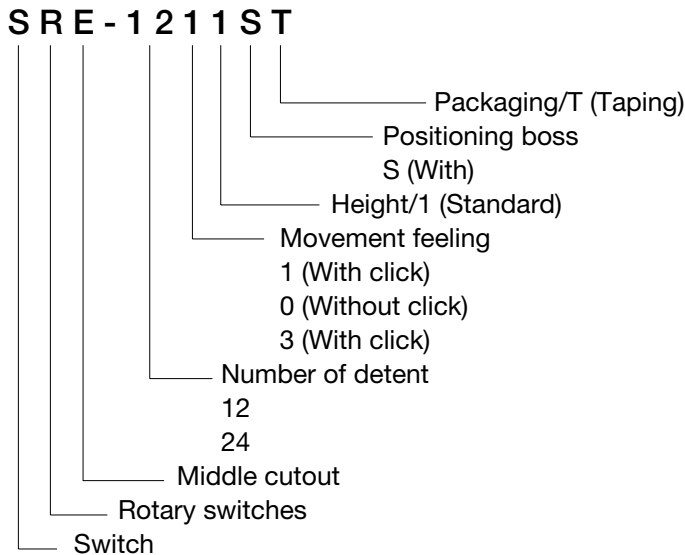
1. Mounting area is small (□18mm).
2. SMT Correspondence Type (Reflow Solder Correspondence).
3. 12/24 detent is prepared as standard.
4. Mounting of thin shape tactile switch : SOT series and 4 direction operation switch : SOQ series is possible into an extraction portion.
5. By the composite with a 4 direction operation + center push, compound operation of seven directions is possible.
6. The example of 4 direction operation + center push mounting use.  
Character control of LCD is performed by the encoder. And, an inside can be used as five function switches.
7. The mounting height to the operation knob is 4.5mm (SOQ), 2.95mm (SOT), and thin shape-ized realization.



## USES

1. Cellular phone · PDA · digital camera · car audio · other portable apparatus.

## MODEL NAME CODE



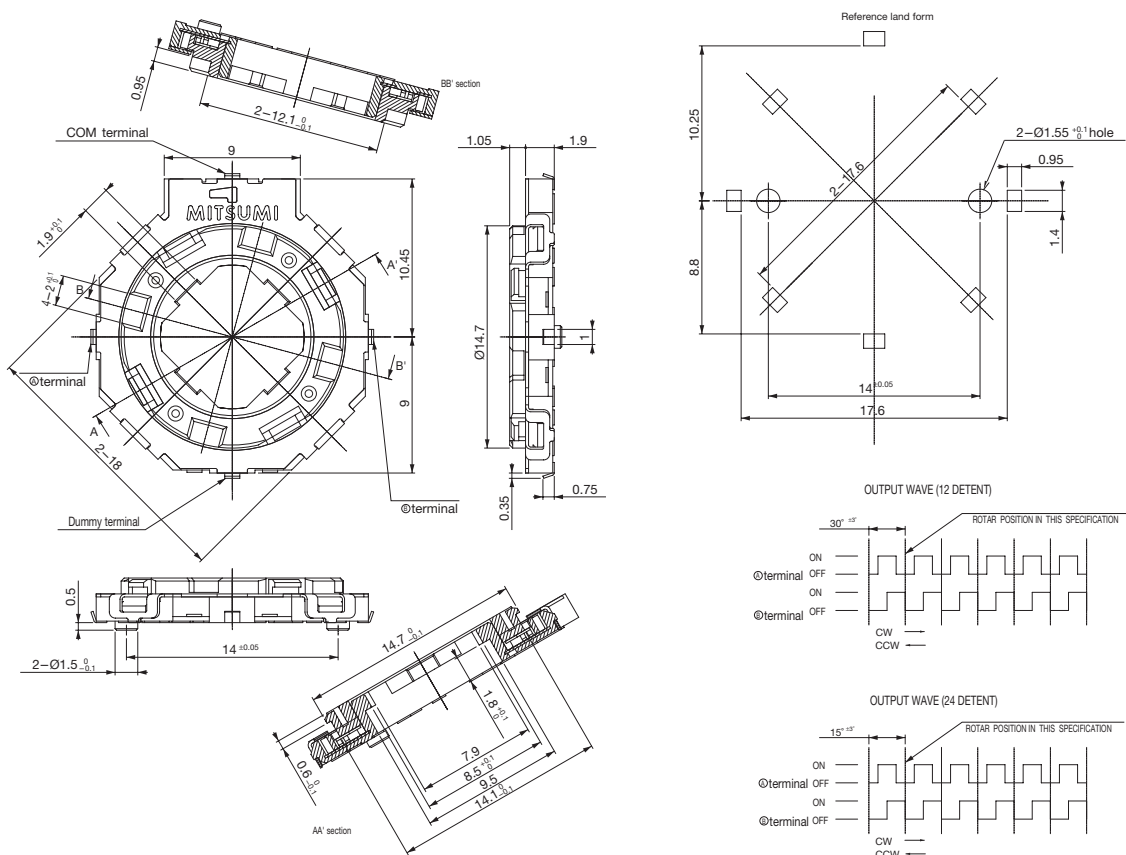
### TYPE

Model Name Code	Order Number	No. of Detent	Click	Rotational Torque	Pcs
SRE-1211ST	R66 6048	12	With	8mN · m (78gf · cm) or less	500
SRE-2401ST	R66 6483	24	Without	6mN · m (59gf · cm) or less	500
SRE-2431ST	R66 6324	24	With	8mN · m (78gf · cm) or less	500

### SPECIFICATIONS

Electrical Characteristics	Rating	0.5mA, 5V DC
	Contact Resistance	1Ω or less
	Insulation Resistance	10MΩ or more
	Withstand Voltage	1 minute at 50V AC
Mechanical Characteristics	Rotational Torque	6mN · m, 8mN · m or less
	Characteristics	(59gf, 78gf)

### DIMENSIONS



**Unit : mm**  
**Tolerance : ±0.3mm**