

SHIELDED SMD INDUCTOR DR350-5 SERIES

Features

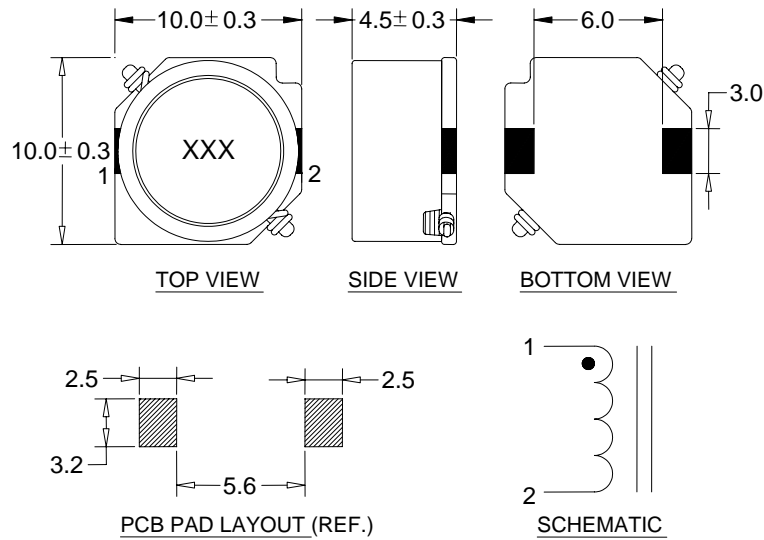
- Low Profile Surface Mount Design
- Flat Top for Pick and Place
- Inductance Range from 10.0μH to 1500.0μH
- Operating Temp. -40°C to +85°C
- Tinned Leads with Leaded Solder is Available (note 7)



ELECTRICAL SPECIFICATIONS AT 25°C

Part No.	Inductance (μH) ± 20%	DCR (Ω) ± 20%	I _{rms} (A) Max.	I _{sat} (A) Max.
DR350-5-103	10.0	0.036	2.50	3.00
DR350-5-153	15.0	0.047	2.20	2.40
DR350-5-223	22.0	0.059	1.90	2.10
DR350-5-333	33.0	0.082	1.70	1.60
DR350-5-473	47.0	0.100	1.50	1.40
DR350-5-683	68.0	0.140	1.30	1.20
DR350-5-104	100.0	0.200	1.10	1.00
DR350-5-154	150.0	0.350	0.81	0.79
DR350-5-224	220.0	0.470	0.70	0.65
DR350-5-334	330.0	0.680	0.58	0.54
DR350-5-474	470.0	1.030	0.47	0.47
DR350-5-684	680.0	1.600	0.38	0.38
DR350-5-105	1000.0	2.800	0.29	0.32
DR350-5-155	1500.0	3.400	0.26	0.22

MECHANICAL OUTLINES



Notes:

1. All dimensions are shown in millimeter "mm"
2. General tolerance ±0.2mm, unless other specified
3. Inductance Test: 1kHz, 0.5Vrms
4. I_{rms} for an approximate 45°C temperature rise
5. I_{sat} for an approximate 20% drop maximum of the nominal value
6. Tape and reel quantity, 750 pcs/reel
7. For non-RoHS parts replace DR prefix with 42- (e.g. DR350-5 becomes 42-350-5)
8. Terminal finish is compliant to RoHS requirements. Solder in accordance with J-STD-020C.