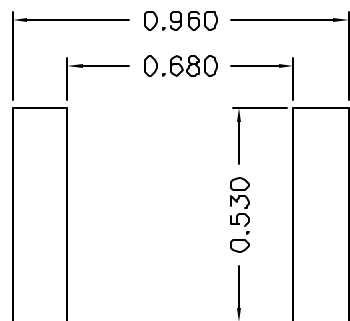
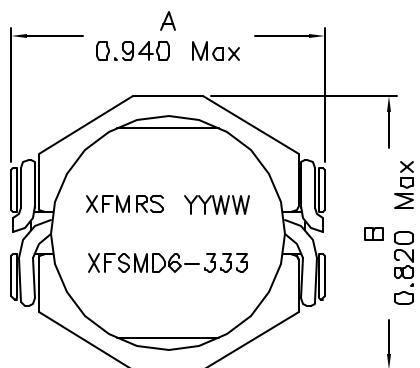
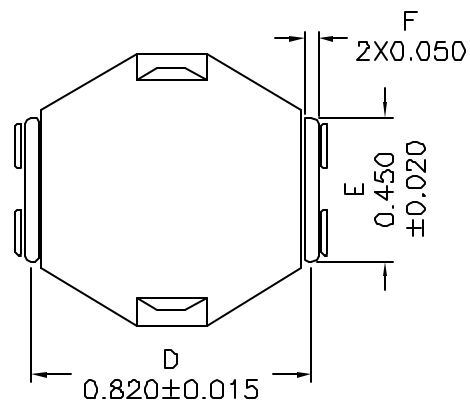
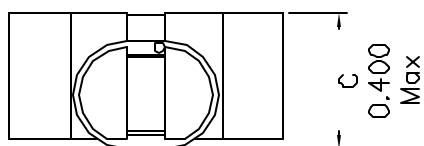
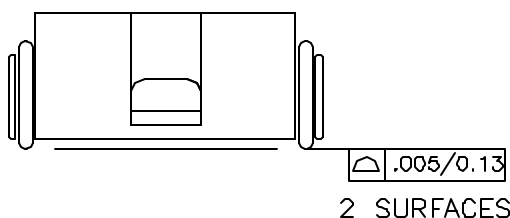


### 1. Mechanical Dimensions:



SUGGESTED PAD LAYOUT



(BOTTOM VIEW)

DOC REV: A/3

### 2. Schematic:



### 3. Electrical Specifications:

OCL: 29.0uH ± 15% @ 10KHz 0.1V, 0Adc  
 29.0uH ± 15% @ 10KHz 0.1V, 6.5Adc

Q: 10 Min @ 10KHz 0.1V

DCR: 29.0 mOhms Max

Saturation Current: 10Adc Typ @ 25°C

Heating Current: 6.5Adc Typ @ 40°C

Notes:

1. Solderability: Leads shall meet MIL-STD-202G, Method 208H for solderability.
2. Flammability: UL94V-0
3. ASTM oxygen index: > 28%
4. Insulation System: Class F 155°C. UL file E151558
5. Operating Temperature Range: All listed parameters are to be within tolerance from -40°C to +85°C
6. Storage Temperature Range: -55°C to +125°C
7. Aqueous wash compatible
8. SMD Lead Coplanarity: ±0.004" (0.102mm)
9. Electrical and mechanical specifications 100% tested
10. RoHS Compliant Component

<b>XFMRS Inc</b> www.XFMRS.com		Title: <b>SMD Inductor</b>	
UNLESS OTHERWISE SPECIFIED TOLERANCES: .xxx ±0.010 Dimensions in INCH	P/N: XFSMD6-333		REV A
	DWN.	Xiany	May-07-09
	CHK.	YK Liao	May-07-09
Scale 2.5:1 SHT 1 OF 1	APP.	Joe Huff	May-07-09