

DR-TRC105 Evaluation Kits

DR-TRC105 Series Development Kits

The DR-TRC105 series evaluation kits include the radio boards, antennas and battery packs used in the DR-TRC105 series development kits. The evaluation kits can be used for initial evaluation of TRC105 radio technology and to prototype applications that will use the TRC105 RFIC.

Each DR-TRC105 evaluation kit contains the following items:

- 2 DR-TRC105 Evaluation Boards
- 2 Dipole Antennas
- 2 AA Battery Packs
- 4 AA Batteries



The DR-TRC105 radio board connectors and user controls are shown below.

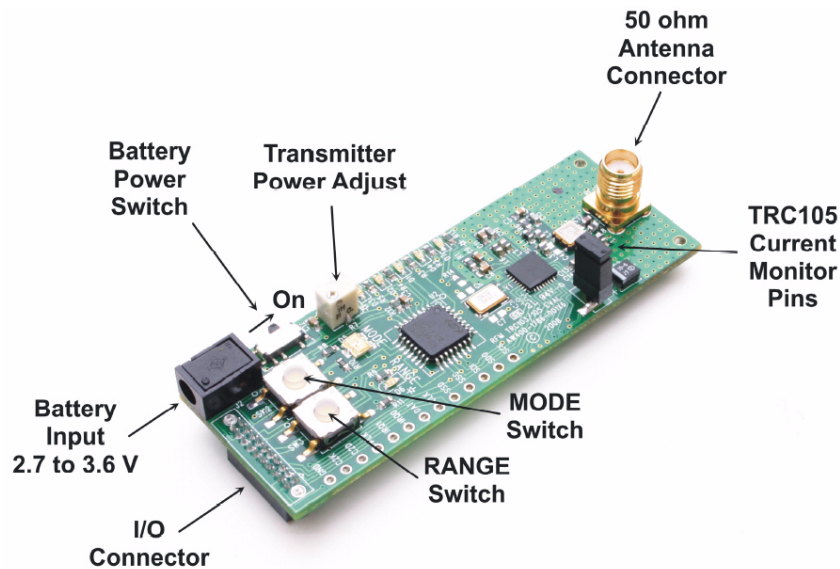


Figure 1 - DR-TRC105 Radio Board Connectors and Controls