

PLEASE CHECK WWW.MOLEX.COM FOR LATEST PART INFORMATION

Part Number: [0039305049](#)

Status: **Active**

Overview: [Mini-Fit Jr.™](#)

Description: 4.20mm (.165") Pitch Mini-Fit Jr.™ Header, Single Row, Vertical, with Snap-in Plastic Peg PCB Lock, 4 Circuits, PA Polyamide Nylon 6/6, UL 94V-2, Tin (Sn) Over Nickel (Ni) Plating, with Drain Holes

Documents:

[3D Model](#)

[Drawing \(PDF\)](#)

[Product Specification PS-5556-001 \(PDF\)](#)

[RoHS Certificate of Compliance \(PDF\)](#)

Agency Certification

CSA	LR19980
TUV	R72081037
UL	E29179

General

Product Family	PCB Headers
Series	5566
Application	Wire-to-Board
Comments	Current = 13A max. per circuit when header is mated to a receptacle loaded with 45750 Mini-Fit Plus HCS™ Crimp Terminal Crimped to to 16 AWG wire. . See Molex product specification PS-45750-001 for additional current de-rating information.. High Temperature, Square Pin, Solder Type
Overview	Mini-Fit Jr.™
Product Name	Mini-Fit Jr.™

Physical

Breakaway	No
Circuits (Loaded)	4
Circuits (maximum)	4
Color - Resin	Natural
Durability (mating cycles max)	30
First Mate / Last Break	No
Flammability	94V-2
Glow-Wire Compliant	No
Guide to Mating Part	No
Keying to Mating Part	None
Lock to Mating Part	Yes
Material - Metal	Brass
Material - Plating Mating	Tin
Material - Plating Termination	Tin
Material - Resin	Nylon
Number of Rows	1
Orientation	Vertical
PC Tail Length (in)	0.138 In
PC Tail Length (mm)	3.50 mm
PCB Locator	Yes
PCB Retention	Yes
PCB Thickness Recommended (in)	0.062 In
PCB Thickness Recommended (mm)	1.60 mm
Packaging Type	Tray
Pitch - Mating Interface (in)	0.165 In
Pitch - Mating Interface (mm)	4.20 mm

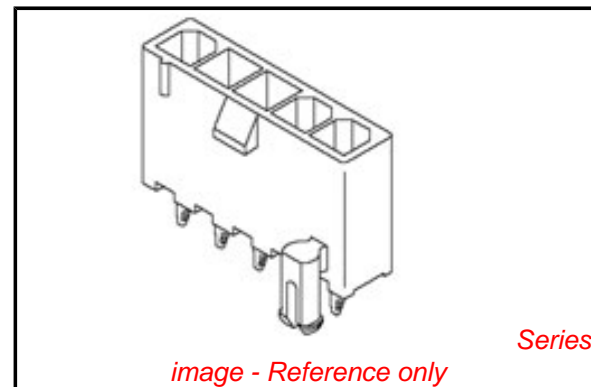


image - Reference only

EU RoHS

ELV and RoHS Compliant
REACH SVHC Contains SVHC: No
Halogen-Free Status
Not Reviewed

China RoHS



Need more information on product environmental compliance?

Email productcompliance@molex.com
For a multiple part number RoHS Certificate of Compliance, [click here](#)

Please visit the [Contact Us](#) section for any non-product compliance questions.

Search Parts in this Series

[5566Series](#)

Mates With

[5557](#) Mini-Fit Jr.™ Receptacle Housing

Pitch - Term. Interface (in)	0.165 In
Pitch - Term. Interface (mm)	4.20 mm
Plating min: Mating (µin)	101.6
Plating min: Mating (µm)	2.54
Plating min: Termination (µin)	101.6
Plating min: Termination (µm)	2.54
Polarized to Mating Part	Yes
Polarized to PCB	Yes
Shrouded	Fully
Stackable	No
Surface Mount Compatible (SMC)	No
Temperature Range - Operating	-40°C to +105°C
Termination Interface: Style	Through Hole

Electrical

Current - Maximum per Contact	13A
Voltage - Maximum	600V

Solder Process Data

Duration at Max. Process Temperature (seconds)	5
Lead-free Process Capability	Wave Capable (TH only)
Max. Cycles at Max. Process Temperature	1
Process Temperature max. C	235

Material Info

Old Part Number	5566-04B3S
-----------------	------------

Reference - Drawing Numbers

Packaging Specification	PK-5566-002
Product Specification	PS-5556-001
Sales Drawing	SDA-5566-NL*
Test Summary	TS-5556-002

This document was generated on 05/12/2010

PLEASE CHECK WWW.MOLEX.COM FOR LATEST PART INFORMATION

NOTES:

1. MATERIALS:

HOUSING:

BLANK=NYLON 6/6, UL94 V-2, COLOR: NATURAL

210=NYLON 6/6, UL94 V-0, COLOR: NATURAL

BL=NYLON 6/6, UL94 V-2, COLOR: BLACK

TERMINALS:

BRASS

2. TERMINAL PLATING:

BLANK=.000035/(0.00090) MIN. BRIGHT TIN OVER

.000020/(0.00050) MIN. COPPER

*GS2=.000015/(0.00038) MIN. SELECT GOLD AND

.000100/(0.00254) MIN. SELECT MATTE TIN

OVER .000050/(0.00127) MIN. NICKEL OVERALL

*GS=.000030/(0.00076) MIN. SELECT GOLD AND

.000100/(0.00254) MIN. SELECT MATTE TIN

OVER .000050/(0.00127) MIN. NICKEL OVERALL

S=.000100/(0.00254) MIN. BRIGHT TIN OVER

.000050/(0.00127) MIN. NICKEL

*THE PRIMARY SHIPPING CARTON WILL BE LABELED

"ELV AND RoHS COMPLIANT", CARTONS WITHOUT

THIS LABEL MAY CONTAIN PRODUCT WITH

TIN-LEAD PLATING.

3. PRODUCT SPECIFICATION: PS-5556-001

4. PACKAGING: TRAY PACKED PER PK-5566-002

5. PART MATES WITH MINI-FIT JR. RECEPTACLE NO. 5557.

6. PART IS NOT DESIGNED FOR CURRENT SHARING.

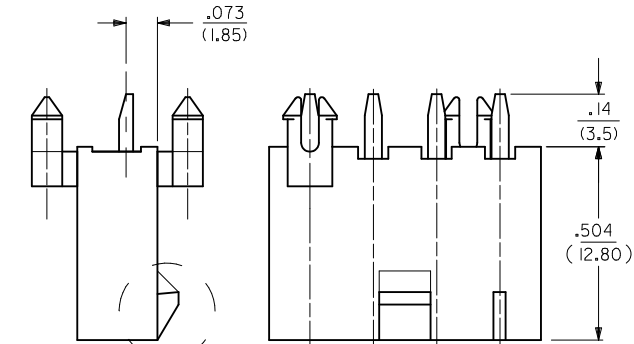
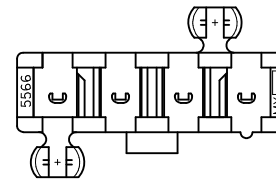
7. PARTS ARE NOT TO BE MATED OR UN-MATED WHILE

CIRCUITS ARE LIVE.

8. PART CONFORMS TO CLASS "B" REQUIREMENTS OF

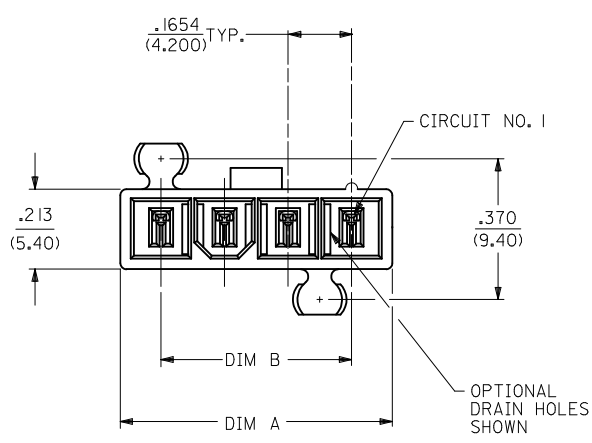
COSMETIC SPECIFICATION PS-45499-002.

CKT SIZE	DIM A	DIM B
4	.709 (18.00)	.496 (12.60)
5	.874 (22.20)	.661 (16.80)
6	1.039 (26.40)	.827 (21.00)
7	1.205 (30.60)	.992 (25.20)
8	1.370 (34.80)	1.157 (29.40)
9	1.535 (39.00)	1.323 (33.60)
10	1.701 (43.20)	1.488 (37.80)
11	1.866 (47.40)	1.654 (42.00)
12	2.031 (51.60)	1.819 (46.20)



LOCK OPTION

POSITIVE LOCK PASSIVE LOCK



LEGEND:

5566 - N * * * * *

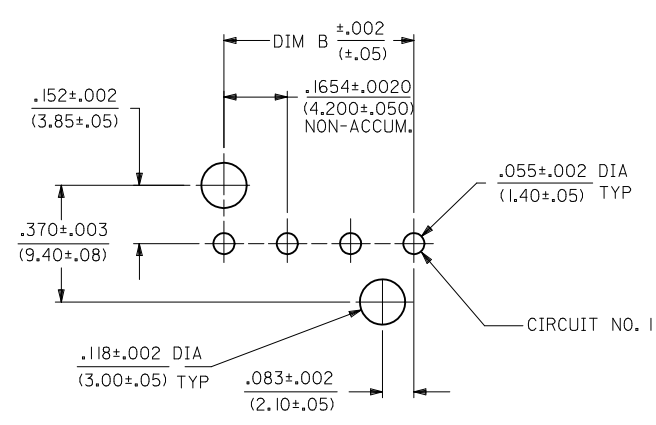
CIRCUIT SIZE (04-12)

ASSEMBLY TYPE
A=W/O DRAIN HOLES
B=WITH DRAIN HOLES

PEG AND LOCK OPTION
3=MTG. PEGS, POSITIVE LOCK
4=MTG. PEGS, PASSIVE LOCK

PLATING (SEE NOTE 2)

HOUSING MAT'L (SEE NOTE 1)



RECOMMENDED HOLE LAYOUT FOR .070/(1.78) MAX. THICK P. C. BOARD VIEWED FROM COMPONENT SIDE

4	M
3	M
2	K1
1	M
SHEET REV	

ADD PART #S EC NO: UCP2010-1922 DRWN: RBENES 2009/02/10 CHKD: BELL 2010/02/12 APPR: FSMITH 2010/02/15	QUALITY SYMBOLS ▽=0 ▽=0	GENERAL TOLERANCES (UNLESS SPECIFIED) <table border="1"> <thead> <tr> <th></th> <th>mm</th> <th>INCH</th> </tr> </thead> <tbody> <tr> <td>4 PLACES</td> <td>± .015</td> <td>± .0005</td> </tr> <tr> <td>3 PLACES</td> <td>± .015</td> <td>± .0005</td> </tr> <tr> <td>2 PLACES</td> <td>± 0.38</td> <td>± .015</td> </tr> <tr> <td>1 PLACE</td> <td>± .015</td> <td>± .0005</td> </tr> </tbody> </table> ANGULAR ±1/2°		mm	INCH	4 PLACES	± .015	± .0005	3 PLACES	± .015	± .0005	2 PLACES	± 0.38	± .015	1 PLACE	± .015	± .0005	DIMENSION STYLE IN/MM	SCALE 1:1	DESIGN UNITS METRIC	THIRD ANGLE PROJECTION
				mm	INCH																
4 PLACES	± .015	± .0005																			
3 PLACES	± .015	± .0005																			
2 PLACES	± 0.38	± .015																			
1 PLACE	± .015	± .0005																			
DRAWN BY KSS	DATE 1989/02/19	CHECKED BY JTR	DATE 1989/02/19	APPROVED BY RAS	DATE 1989/02/19	TITLE VERTICAL HEADER ASSY W/ & W/O PEG & DRAIN HOLE MINI-FIT JR SINGLE ROW															
MATERIAL NO. SEE CHART		DOCUMENT NO. SDA-5566-NL*		SHEET NO. 1 OF 4																	
DRAFT WHERE APPLICABLE MUST REMAIN WITHIN DIMENSIONS																					
THIS DRAWING CONTAINS INFORMATION THAT IS PROPRIETARY TO MOLEX INCORPORATED AND SHOULD NOT BE USED WITHOUT WRITTEN PERMISSION																					

13	PASSIVE LOCK WITH MTG. PEGS, 94V-2 BLACK HOUSING		
12	POSITIVE LOCK WITH MTG. PEGS, 94V-2 BLACK HOUSING		
11	POSITIVE LOCK WITH MTG. PEGS, 94V-2 BLACK HOUSING		
10	POSITIVE LOCK WITH MTG. PEGS, 94V-2 BLACK HOUSING		
9	POSITIVE LOCK WITH MTG. PEGS, 94V-2 BLACK HOUSING		
8	POSITIVE LOCK WITH MTG. PEGS, 94V-2 BLACK HOUSING		
7	POSITIVE LOCK WITH MTG. PEGS, 94V-2 BLACK HOUSING		
6	POSITIVE LOCK WITH MTG. PEGS, 94V-2 BLACK HOUSING		
5	POSITIVE LOCK WITH MTG. PEGS, 94V-2 BLACK HOUSING		
4	POSITIVE LOCK WITH MTG. PEGS, 94V-2 BLACK HOUSING		
3	POSITIVE LOCK WITH MTG. PEGS, 94V-2 BLACK HOUSING		
2	POSITIVE LOCK WITH MTG. PEGS, 94V-2 BLACK HOUSING		
1	POSITIVE LOCK WITH MTG. PEGS, 94V-2 BLACK HOUSING		

PART NO	ENG NO	CKT DRAIN SIZE HOLE	PLATING OPTION
50-29-1528	5566-04A3-BL	04 NO	TIN OVER COPPER
50-29-1529	5566-05A3-BL	05 NO	TIN OVER COPPER
50-29-1530	5566-06A3-BL	06 NO	TIN OVER COPPER
50-29-1531	5566-07A3-BL	07 NO	TIN OVER COPPER
50-29-1532	5566-08A3-BL	08 NO	TIN OVER COPPER
50-29-1533	5566-09A3-BL	09 NO	TIN OVER COPPER
50-29-1534	5566-10A3-BL	10 NO	TIN OVER COPPER
50-29-1535	5566-11A3-BL	11 NO	TIN OVER COPPER
50-29-1536	5566-12A3-BL	12 NO	TIN OVER COPPER
26-01-3162	5566-04A3S-BL	04 NO	TIN OVER NICKEL
26-01-3163	5566-05A3S-BL	05 NO	TIN OVER NICKEL
		06	
		07	
		08	
		09	
		10	
		11	
		12	
		04	
		05	
		06	
		07	
		08	
		09	
		10	
		11	
		12	
		04	
		05	
		06	
		07	
		08	
		09	
		10	
		11	
		12	
		04	
		05	
		06	
		07	
		08	
		09	
		10	
		11	
		12	

SEE SHEET 1	EC NO: UCP2010-1922	2009/02/12
DRWN:TBENES	CHKD:JBELL	2010/02/12
APPR:FSMITH		2010/02/15
REV	DESCRIPTION	
M		

13	PASSIVE LOCK WITH MTG. PEGS, 94V-2 BLACK HOUSING		
12	POSITIVE LOCK WITH MTG. PEGS, 94V-2 BLACK HOUSING		
11	POSITIVE LOCK WITH MTG. PEGS, 94V-2 BLACK HOUSING		
10	POSITIVE LOCK WITH MTG. PEGS, 94V-2 BLACK HOUSING		
9	POSITIVE LOCK WITH MTG. PEGS, 94V-2 BLACK HOUSING		
8	POSITIVE LOCK WITH MTG. PEGS, 94V-2 BLACK HOUSING		
7	POSITIVE LOCK WITH MTG. PEGS, 94V-2 BLACK HOUSING		
6	POSITIVE LOCK WITH MTG. PEGS, 94V-2 BLACK HOUSING		
5	POSITIVE LOCK WITH MTG. PEGS, 94V-2 BLACK HOUSING		
4	POSITIVE LOCK WITH MTG. PEGS, 94V-2 BLACK HOUSING		
3	POSITIVE LOCK WITH MTG. PEGS, 94V-2 BLACK HOUSING		
2	POSITIVE LOCK WITH MTG. PEGS, 94V-2 BLACK HOUSING		
1	POSITIVE LOCK WITH MTG. PEGS, 94V-2 BLACK HOUSING		

QUALITY SYMBOLS	GENERAL TOLERANCES (UNLESS SPECIFIED)
▽=0	4 PLACES ± --- INCH
▽=0	3 PLACES ± --- INCH
	2 PLACES ± --- INCH
	1 PLACE ± --- INCH
	ANGULAR ± --- °
	DRAFT WHERE APPLICABLE MUST REMAIN WITHIN DIMENSIONS

13	PASSIVE LOCK WITH MTG. PEGS, 94V-2 HOUSING MATERIAL		
12	POSITIVE LOCK WITH MTG. PEGS, 94V-2 HOUSING MATERIAL		
11	POSITIVE LOCK WITH MTG. PEGS, 94V-2 HOUSING MATERIAL		
10	POSITIVE LOCK WITH MTG. PEGS, 94V-2 HOUSING MATERIAL		
9	POSITIVE LOCK WITH MTG. PEGS, 94V-2 HOUSING MATERIAL		
8	POSITIVE LOCK WITH MTG. PEGS, 94V-2 HOUSING MATERIAL		
7	POSITIVE LOCK WITH MTG. PEGS, 94V-2 HOUSING MATERIAL		
6	POSITIVE LOCK WITH MTG. PEGS, 94V-2 HOUSING MATERIAL		
5	POSITIVE LOCK WITH MTG. PEGS, 94V-2 HOUSING MATERIAL		
4	POSITIVE LOCK WITH MTG. PEGS, 94V-2 HOUSING MATERIAL		
3	POSITIVE LOCK WITH MTG. PEGS, 94V-2 HOUSING MATERIAL		
2	POSITIVE LOCK WITH MTG. PEGS, 94V-2 HOUSING MATERIAL		
1	POSITIVE LOCK WITH MTG. PEGS, 94V-2 HOUSING MATERIAL		

IN/MM	DRAWN BY	DATE
	GEP	1989/07/13
	CHECKED BY	DATE
	RJF	1989/07/13
	APPROVED BY	DATE
	RAS	1989/07/13

13	PASSIVE LOCK WITH MTG. PEGS, 94V-2 HOUSING MATERIAL		
12	POSITIVE LOCK WITH MTG. PEGS, 94V-2 HOUSING MATERIAL		
11	POSITIVE LOCK WITH MTG. PEGS, 94V-2 HOUSING MATERIAL		
10	POSITIVE LOCK WITH MTG. PEGS, 94V-2 HOUSING MATERIAL		
9	POSITIVE LOCK WITH MTG. PEGS, 94V-2 HOUSING MATERIAL		
8	POSITIVE LOCK WITH MTG. PEGS, 94V-2 HOUSING MATERIAL		
7	POSITIVE LOCK WITH MTG. PEGS, 94V-2 HOUSING MATERIAL		
6	POSITIVE LOCK WITH MTG. PEGS, 94V-2 HOUSING MATERIAL		
5	POSITIVE LOCK WITH MTG. PEGS, 94V-2 HOUSING MATERIAL		
4	POSITIVE LOCK WITH MTG. PEGS, 94V-2 HOUSING MATERIAL		
3	POSITIVE LOCK WITH MTG. PEGS, 94V-2 HOUSING MATERIAL		
2	POSITIVE LOCK WITH MTG. PEGS, 94V-2 HOUSING MATERIAL		
1	POSITIVE LOCK WITH MTG. PEGS, 94V-2 HOUSING MATERIAL		

SCALE	DESIGN UNITS	THIRD ANGLE PROJECTION
1:1	METRIC	
TITLE		
VERTICAL HEADER ASSY W/ PEG AND DRAIN OPTIONS MINI-FIT JR SINGLE ROW		
MOLEX INCORPORATED		
MATERIAL NO.	DOCUMENT NO.	SHEET NO.
SEE CHART	SDA-5566-NL*	3 OF 4
THIS DRAWING CONTAINS INFORMATION THAT IS PROPRIETARY TO MOLEX INCORPORATED AND SHOULD NOT BE USED WITHOUT WRITTEN PERMISSION		

13	PASSIVE LOCK WITH MTG. PEGS, 94V-2 HOUSING MATERIAL		
12	POSITIVE LOCK WITH MTG. PEGS, 94V-2 HOUSING MATERIAL		
11	POSITIVE LOCK WITH MTG. PEGS, 94V-2 HOUSING MATERIAL		
10	POSITIVE LOCK WITH MTG. PEGS, 94V-2 HOUSING MATERIAL		
9	POSITIVE LOCK WITH MTG. PEGS, 94V-2 HOUSING MATERIAL		
8	POSITIVE LOCK WITH MTG. PEGS, 94V-2 HOUSING MATERIAL		
7	POSITIVE LOCK WITH MTG. PEGS, 94V-2 HOUSING MATERIAL		
6	POSITIVE LOCK WITH MTG. PEGS, 94V-2 HOUSING MATERIAL		
5	POSITIVE LOCK WITH MTG. PEGS, 94V-2 HOUSING MATERIAL		
4	POSITIVE LOCK WITH MTG. PEGS, 94V-2 HOUSING MATERIAL		
3	POSITIVE LOCK WITH MTG. PEGS, 94V-2 HOUSING MATERIAL		
2	POSITIVE LOCK WITH MTG. PEGS, 94V-2 HOUSING MATERIAL		
1	POSITIVE LOCK WITH MTG. PEGS, 94V-2 HOUSING MATERIAL		