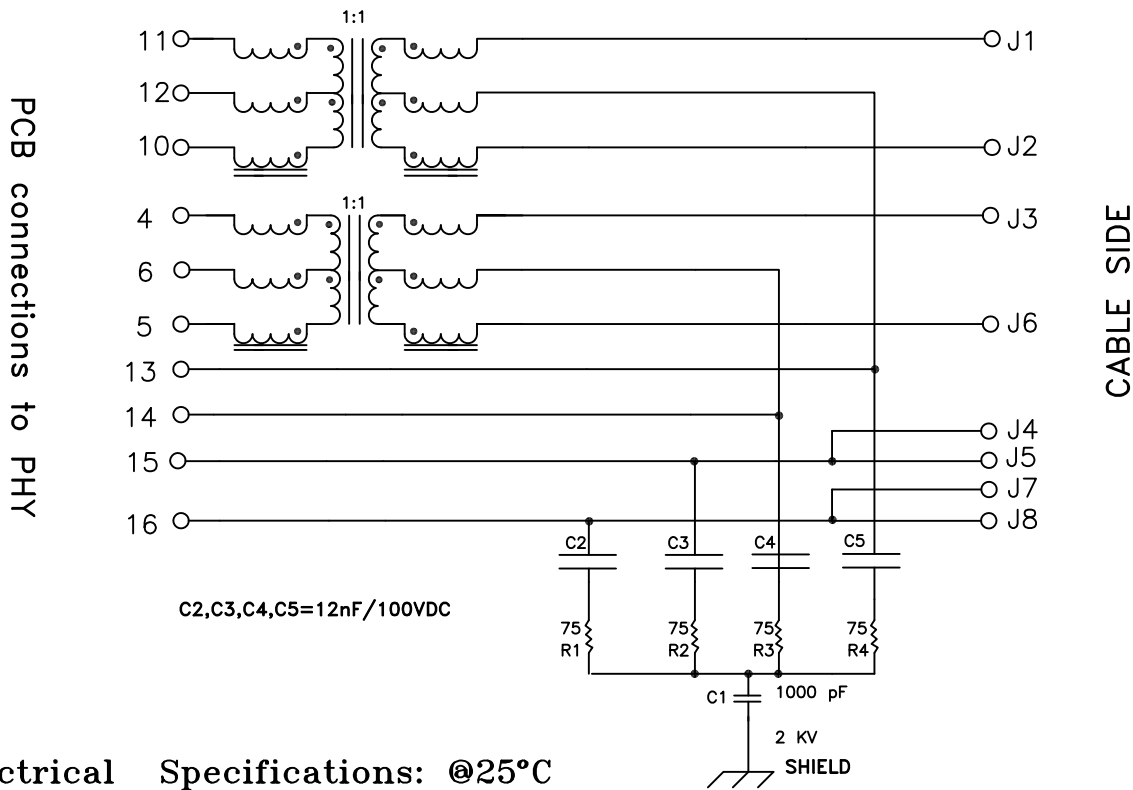


Schematic:



Electrical Specifications: @25°C

Isolation Voltage: 1500 VAc (Input to Output)

Turns Ratio: TX 1CT:1CT ±3% RX 1CT:1CT ±3%

OCL: 350uH Minimum @100KHz 100mV 18mADC

Insertion Loss: -1.0dB TYP @0.1-100 MHz

Insertion Loss: -1.70 dB Max @100-125 MHz

Return Loss: 1-30MHz	30-45MHz	45-60MHz	60-80MHz
-18.0dB (Typ)	-16.0dB(Typ)	-14.0dB(Typ)	-12.0dB(Typ)

Cross Talk: 1-100MHz -30.0 dB Typ

Common Mode Rejection: 1-100MHz -35.0 dB Min

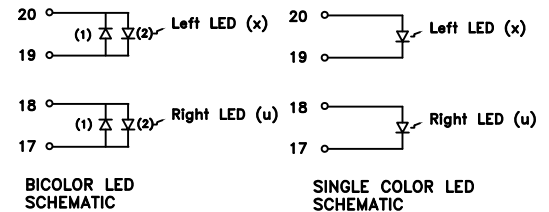
DC Current: 600mA

Q :5 Min @100KHz 0.1V

Notes:

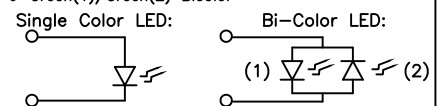
- Solderability: Leads shall meet MIL-STD-202G, Method 208H for solderability.
- Flammability: UL94V-0
- ASTM oxygen index: > 28%
- Insulation System: Class F 155°C. UL file E165866
- Operating Temperature Range: All listed parameters are to be within tolerance from 0°C to +70°C
- Storage Temperature Range: -55°C to +125°C
- Aqueous wash compatible
- Electrical and mechanical specifications 100% tested
- RoHS Compliant Component

DOC. REV: A/3



Complete the Combo P/N as follows:

Replace 'x' & 'u' in the part number with one of the LED color letters:
 Y=Yellow 'x' = Left LED Color
 G=Green 'u' = Right LED Color
 A=Amber
 R=Red
 C=Green(1)/Amber(2) Bicolor
 D=Amber(1)/Green(2) Bicolor
 M=Green(1)/Yellow(2) Bicolor
 N=Yellow(1)/Green(2) Bicolor
 P=Red(1)/Green(2) Bicolor
 Q=Green(1)/Red(2) Bicolor
 E=Red(1)/Yellow(2) Bicolor
 F=Yellow(1)/Red(2) Bicolor
 H=Amber(1)/Yellow(2) Bicolor
 J=Green(1)/Green(2) Bicolor



PROPRIETARY:

Document is the property of XFMRs Group & is not allowed to be duplicated without authorization.

XFMRs Inc
www.XFMRs.com

Title:
SINGLE PORT POE+ COMBO

UNLESS OTHERWISE SPECIFIED

P/N: XFPOEP1C-CTxu1-4L

REV. A

TOLERANCES:

DWN.

Xiang

Apr-07-16

.xxx ±0.010

CHK.

YK Liao

Apr-07-16

Dimensions in Inch

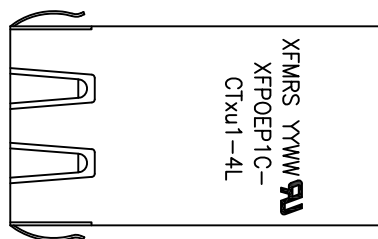
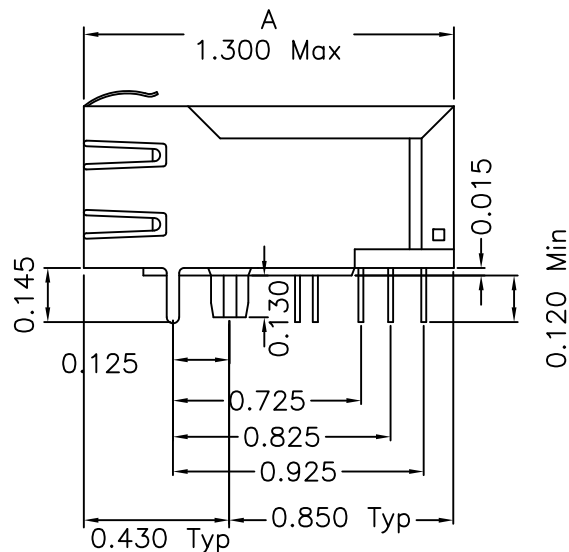
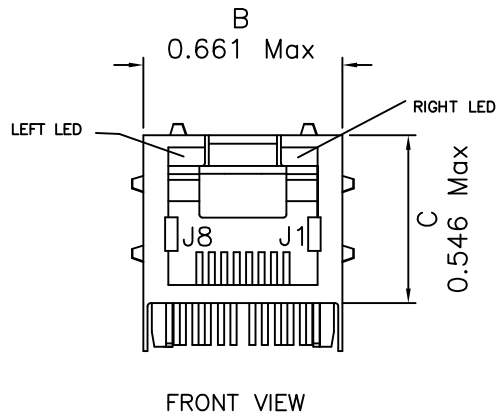
APP.

BW

Apr-07-16

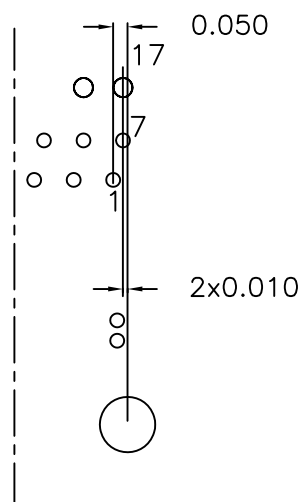
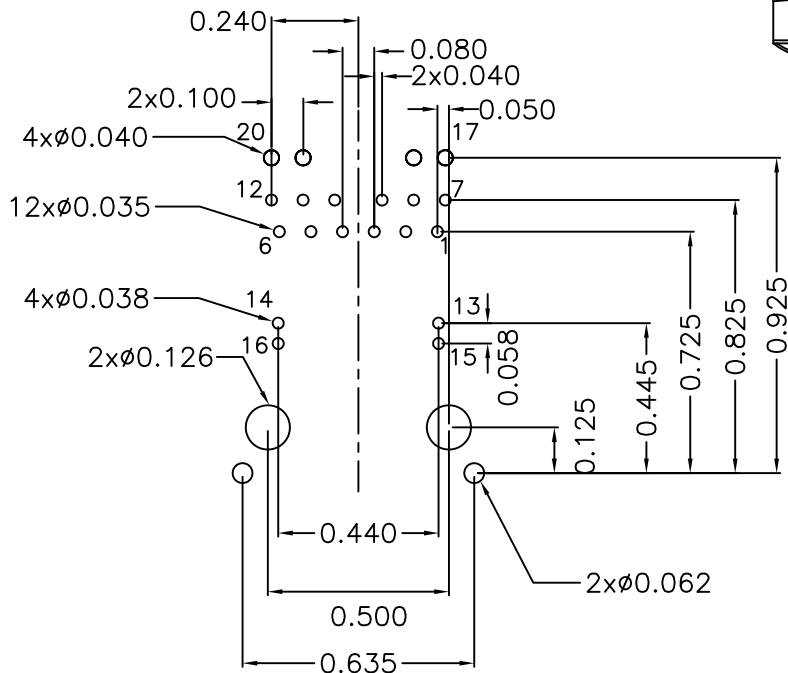
SHEET 1 OF 2

Mechanical Dimensions:



TOP VIEW

Mounting Pattern:



DOC. REV: A/3

XFMRS Inc
www.XFMRS.com

Title: Mechanical Dimensions
For TAB UP RJ45 COMBO

UNLESS OTHERWISE SPECIFIED
TOLERANCES:
.xxx ±0.010
Dimensions in Inch

P/N: XFP0EP1C-CTxu1-4L	REV. A
DWN. Xiang	Apr-07-16
CHK. YK Liao	Apr-07-16
APP. BW	Apr-07-16

SHEET 2 OF 2

PROPRIETARY:

Document is the property of XFMRS Group & is not allowed to be duplicated without authorization.