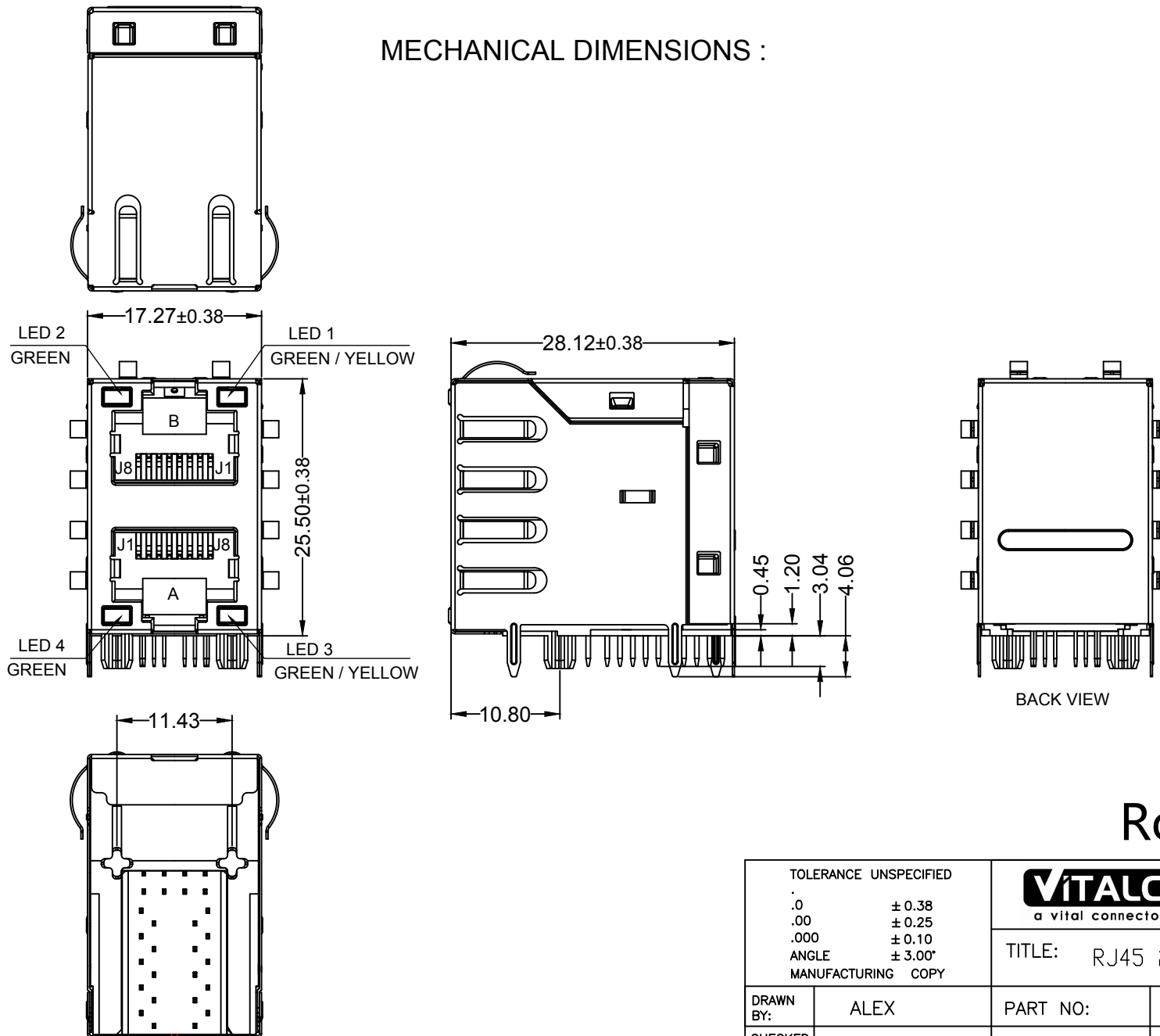

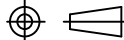


| REV. | ECN. NO. | NAME | DATE |
|------|----------|------|------|
| | | | |
| | | | |

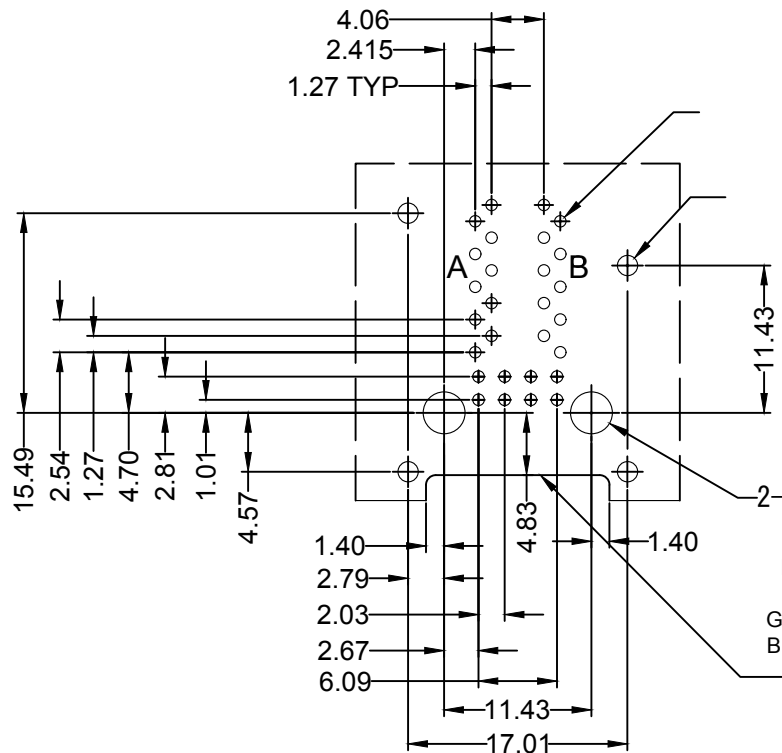
MECHANICAL DIMENSIONS :



RoHS Compliant

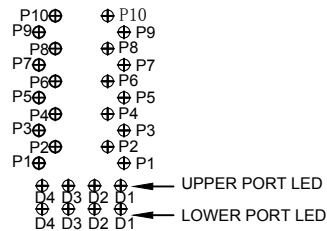
| | | | | | |
|-----------------------|---------|--|------------------------|---|-------------|
| TOLERANCE UNSPECIFIED | |  a vital connector company | | FOR YOUR VITAL CONNECTION | |
| .0 | ± 0.38 | | | TITLE: RJ45 2*1 10/100/1000 BASE-T | |
| .00 | ± 0.25 | DRAWN BY: ALEX | PART NO: R21UG17D6DL01 | REV: A | |
| .000 | ± 0.10 | CHECKED BY: VTA | SIZE: A4 | UNIT: mm | SHEET: 10F5 |
| ANGLE | ± 3.00° | APPROVED BY: QPF | PROJECTION |  | FCN: B6 |
| MANUFACTURING COPY | | | | http://www.vitalconn.com | |

| REV. | ECN. NO. | NAME | DATE |
|------|----------|------|------|
| | | | |
| | | | |

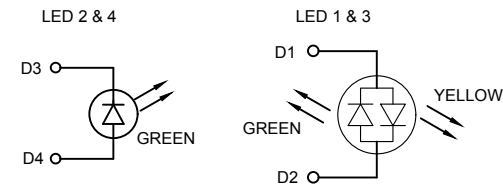


RECOMMENDED PCB LAYOUT
(COMPONENT SIDE VIEW)
TOLERANCE:±0.10

RECOMMENDED PCB FRONT EDGE
CUTOUT. THE BOTTOM SHIELD
GROUND TABS (FRONT) SHOULD NOT
BE SEATED ON THE TOP OF THE PCB.




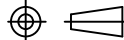
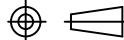
PIN-OUT INFORMATION
(COMPONENT SIDE VIEW)



| LED 2 & 4 POLARITY | | | LED 1 & 3 POLARITY | | |
|--------------------|----|-------|--------------------|----|--------|
| D4 | D3 | COLOR | D2 | D1 | COLOR |
| + | - | GREEN | + | - | GREEN |
| | | | - | + | YELLOW |

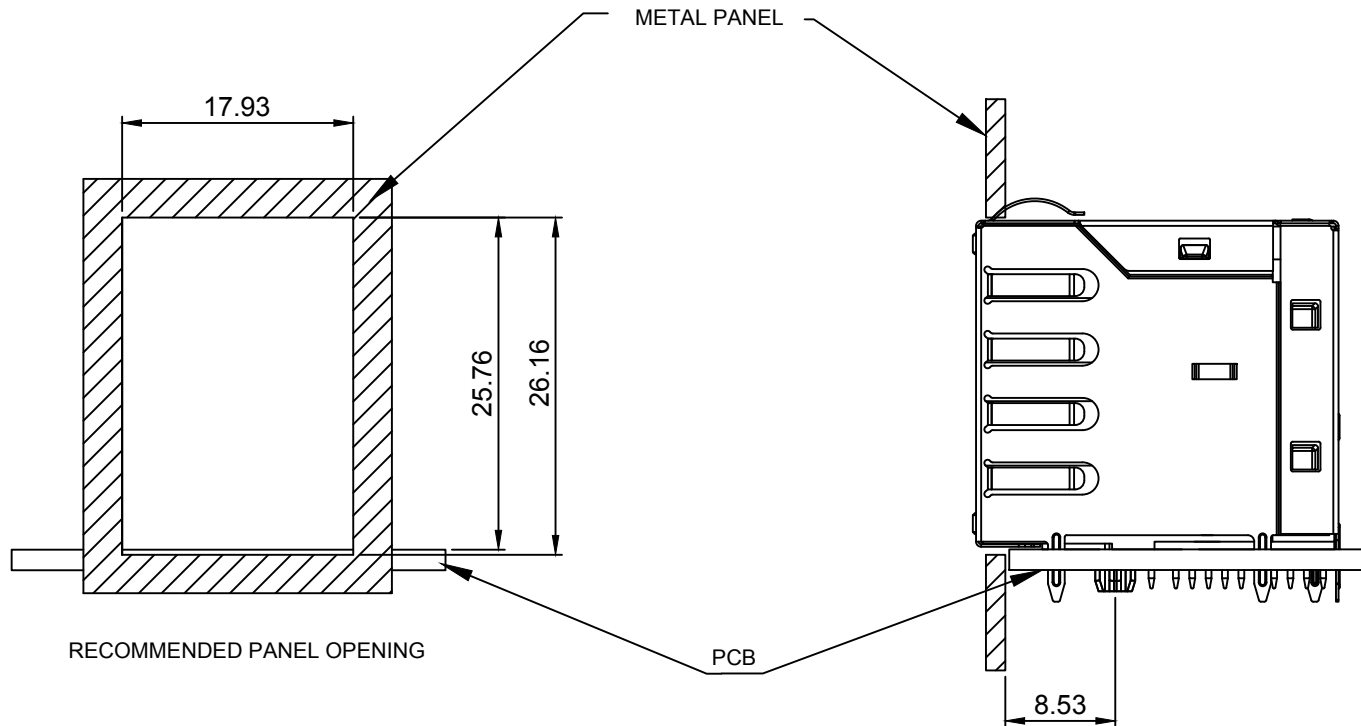
| LED ELECTRICAL / OPTICAL CHARACTERISTICS: | | | |
|---|------|---------------------|------------------------|
| COLOR | IF | VF(FORWARD VOLTAGE) | AD DOMINANT WAVELENGTH |
| GREEN | 20mA | 2.2 V | 565nm |
| YELLOW | 20mA | 2.1 V | 580nm |

RoHS Compliant

| | | | | | |
|-----------------------|---------|--|------------------------|---|---|
| TOLERANCE UNSPECIFIED | |  a vital connector company | | FOR YOUR VITAL CONNECTION | |
| .0 | ± 0.38 | | | TITLE: RJ45 2*1 10/100/1000 BASE-T | |
| .00 | ± 0.25 | DRAWN BY: ALEX | PART NO: R21UG17D6DL01 | REV: A | |
| .000 | ± 0.10 | CHECKED BY: VTA | SIZE: A4 | UNIT: mm | SHEET: 20F5 |
| ANGLE | ± 3.00° | APPROVED BY: QPF | PROJECTION |  | FCN: B6 |
| MANUFACTURING COPY | | | |  | http://www.vitalconn.com |

| REV. | ECN. NO. | NAME | DATE |
|------|----------|------|------|
| | | | |
| | | | |


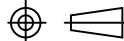
SUGGESTED PANEL OPENING



NOTE:

THE DISTANCE OF PANEL INSIDE SURFACE RELATIVE TO FRONT SURFACE OF PART IS ONLY A SUGGESTION.
 IN CASE THIS DISTANCE IS DIFFERENT, THE REQUIRED PANEL OPENING DIMENSIONS CHANGE ACCORDINGLY.

RoHS Compliant

| | | | | | |
|-----------------------|---------|--|--|---|--|
| TOLERANCE UNSPECIFIED | |  a vital connector company | | FOR YOUR VITAL CONNECTION | |
| .0 | ± 0.38 | | | TITLE: RJ45 2*1 10/100/1000 BASE-T | |
| .00 | ± 0.25 | DRAWN BY: ALEX | | PART NO: R21UG17D6DL01 | |
| .000 | ± 0.10 | CHECKED BY: VTA | | REV: A | |
| ANGLE | ± 3.00° | APPROVED BY: QPF | | SHEET:30F5 | |
| MANUFACTURING COPY | | SIZE: A4 | | FCN: B6 | |
| | | PROJECTION | |  http://www.vitalconn.com | |

| REV. | ECN. NO. | NAME | DATE |
|------|----------|------|------|
| | | | |

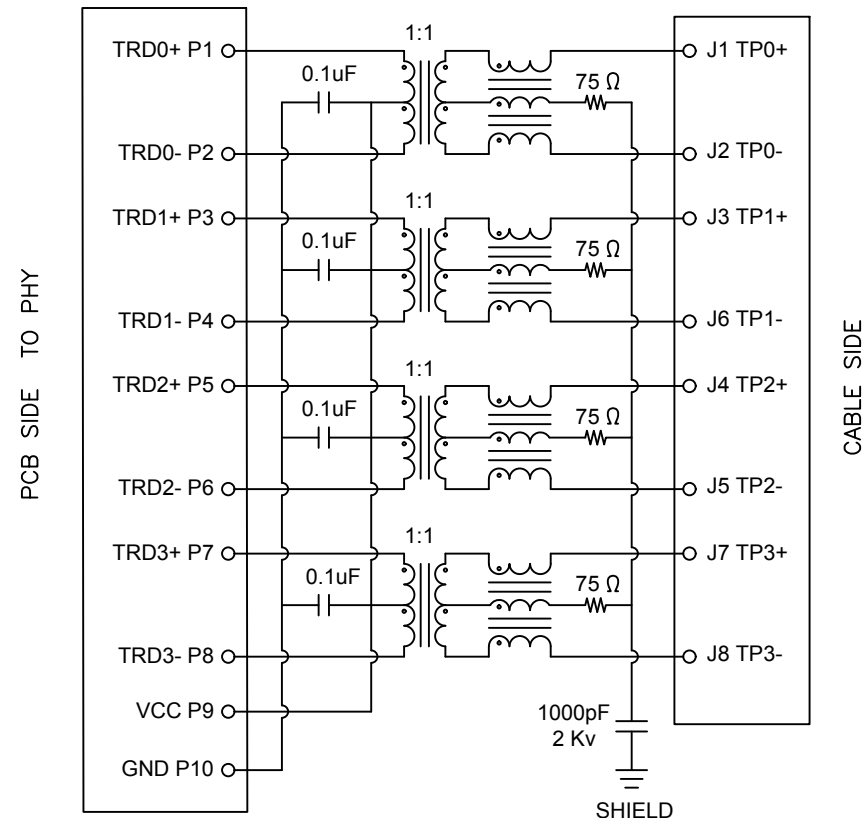
SPECIFICATIONS:

1. COMPLIES WITH IEEE STANDARDS AND ALL 10/100/1000M ETHERNET SPECIFICATIONS INCLUDING 350UH WITH 8MA DC BIAS
2. INTER GRATED MAG-MODULAR DESIGN PROVIDES HIGHER RELIABILITY AND CONSERVES MINIMIZING PCB SPACE
3. HOUSING : THERMOPLASTIC LCP UL94 V0 RATED
4. RJ45 CONTACT : PHOSPHOR BRONZE C5210, THICKNESS=0.30MM PLATED NICKEL 30U" MIN, 30U" GOLD PLATED ON CONTACT AREA
5. INPUT TERMINAL : BRASS, THICKNESS=0.30MM
FINISH : 120U"MIN TIN OVER 50U" MIN NICKEL
6. METAL SHIELDING : COPPER ALLOY WITH NICKEL PLATED (C2680)
THICKNESS=0.20MM NICKEL 30U" MIN
7. DIFFERENT COLOR OF LEDS OPTION AVAILABLE
8. OPERATING TEMPERATURE : -0°C TO +70°C
9. STORAGE TEMPERATURE : -40°C TO +85°C


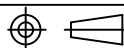
ELECTRICAL SPECIFICATIONS (25°C±5°C) :

1. TRANSMITTER FILTER & RECEIVER FILTER
 - 1.1 INSERTION LOSS:
 - 1.1dB MAXIMUM AT 1MHz TO 100MHz;
 - 1.2 RETURN LOSS(Load:100 ohms):
 - 16dB MINIMUM AT 1MHz TO 40MHz
 - 10+20LOG(F/80)dB MINIMUM AT 40MHz TO 100MHz
2. COMMON TO COMMON MODE REJECTION:
 - 30dB MINIMUM AT 1MHz TO 100MHz
3. CROSS TALK:
 - 35dB MINIMUM AT 1MHz TO 40MHz
 - 33+20Log(F/50)dB MINIMUM AT 40MHz TO 100MHz
4. LX:(100KHz,100mV,8mA, DC Bias)
PINS: (P1,P2),(P3,P4),(P5,P6),(P7,P8)=350uH MINIMUM
5. HI-POT TEST:
 - PINS:(P1-P2) TO (J1-J2) : 1500V AC 60S OR 2250VDC 60S
 - PINS:(P3-P4) TO (J3-J6) : 1500V AC 60S OR 2250VDC 60S
 - PINS:(P5-P6) TO (J4-J5) : 1500V AC 60S OR 2250VDC 60S
 - PINS:(P7-P8) TO (J7-J8) : 1500V AC 60S OR 2250VDC 60S

SCHEMATIC:

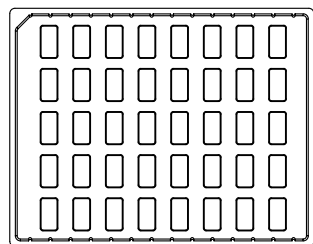


RoHS Compliant

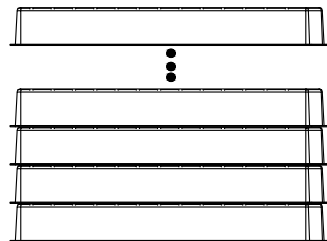
| | | | | | |
|-----------------------|--------------------|--|--|---|--|
| TOLERANCE UNSPECIFIED | |  a vital connector company | | FOR YOUR VITAL CONNECTION | |
| .0 | ± 0.38 | | | TITLE: RJ45 2*1 10/100/1000 BASE-T | |
| .00 | ± 0.25 | DRAWN BY: ALEX | | PART NO: R21UG17D6DL01 | |
| .000 | ± 0.10 | CHECKED BY: VTA | | REV: A | |
| ANGLE ± 3.00° | MANUFACTURING COPY | APPROVED BY: QPF | | SIZE: A4 | |
| | | PROJECTION | | UNIT: mm | |
| | | | | SHEET: 40F5 | |
| | | | | FCN: B6 | |
| | | | |  http://www.vitalconn.com | |

| REV. | ECN. NO. | NAME | DATE |
|------|----------|------|------|
| | | | |
| | | | |

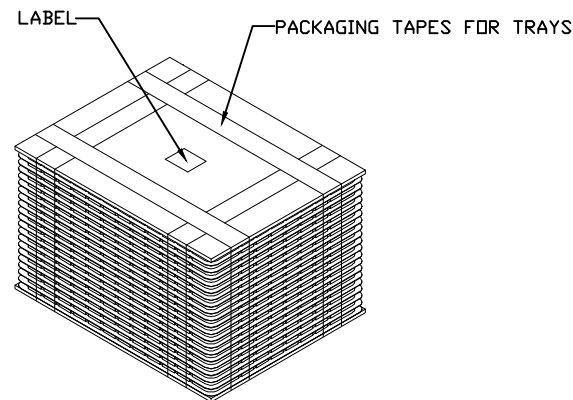
PACKAGE INFORMATION AND LABEL



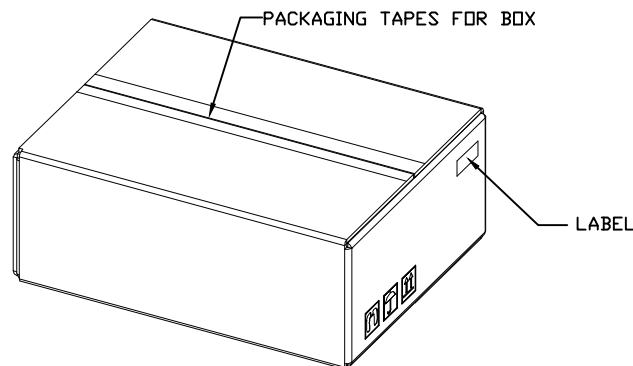
1. PRODUCTS IN TRAYS



2. TRAYS OVERLAY




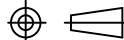
3. LABEL & PACKAGING TAPES FOR TRAYS:



4. LABEL & PACKAGING TAPES FOR BOX

| PACKAGING LISTS | |
|-----------------------|-------------|
| ITEM | Q'TY |
| PRODUCT | 200 PCS |
| TRAY | 5 PCS |
| BOX(L340*W265*H200MM) | 1 PCS |
| LABLE | 2 PCS |
| PACKAGING TAPES | 8 M (ABOUT) |

RoHS Compliant

| | | | | | |
|-----------------------|---------|--|--|--|--|
| TOLERANCE UNSPECIFIED | |  a vital connector company | | FOR YOUR VITAL CONNECTION | |
| .0 | ± 0.38 | | | TITLE: RJ45 2*1 10/100/1000 BASE-T | |
| .00 | ± 0.25 | DRAWN BY: ALEX | | PART NO: R21UG17D6DL01 | |
| .000 | ± 0.10 | CHECKED BY: VTA | | SIZE: A4 | |
| ANGLE | ± 3.00° | APPROVED BY: QPF | | UNIT: mm | |
| MANUFACTURING COPY | | PROJECTION | | SHEET:50F5 | |
| | | | | FCN: B6 | |
| | | | |  http://www.vitalconn.com | |