







-  Compliant with IEEE802.3 standard including 350uH OCL with 8mA DC bias
-  Enhanced crosstalk and return loss performance
-  Support 4 pairs of Category 5 UTP cable with 1000Base-T full duplex applications
-  Design to withstand IR-reflow with peak temperature per IPC/JEDEC J-STD-020C
-  Operating temperature 0°C to +70°C.
-  RoHS compliant



ELECTRICAL SPECIFICATION @ 25°C

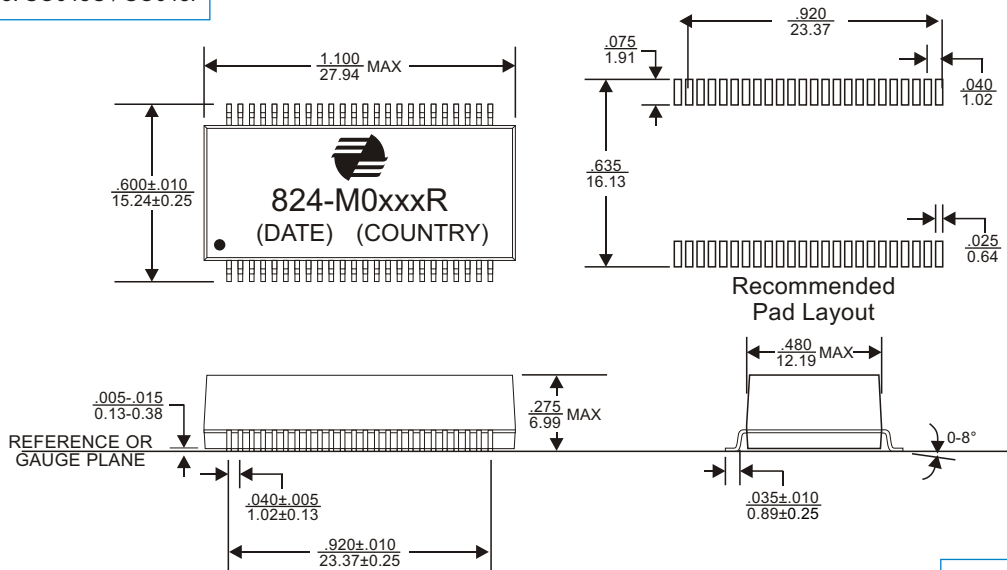
Part Number	Insertion Loss (dB Max)	Return Loss (dB Min)				CMRR (dB Min)	Crosstalk (dB Min)			Hipot (Vrms)
		.1-100MHz	1-30MHz	40MHz	50MHz		60-80MHz	.1-100MHz	30MHz	
824-00167R	1.0	16.0	14.4	13.1	12.0	35.0	45.0	40.0	35.0	1500
824-M0168R	1.0	16.0	14.4	13.1	12.0	35.0	43.5	37.5	33.0	1500
824-M0329R	1.0	16.0	14.4	13.1	12.0	30.0	43.5	37.5	33.0	1500
824-M0331R ¹	1.0	16.0	14.4	13.1	12.0	30.0	43.5	37.5	33.0	1500

Notes:

1. Operating temperature -40°C to +85°C.

MECHANICAL DIMENSIONS

Package: SO048C / SO048F



Notes:

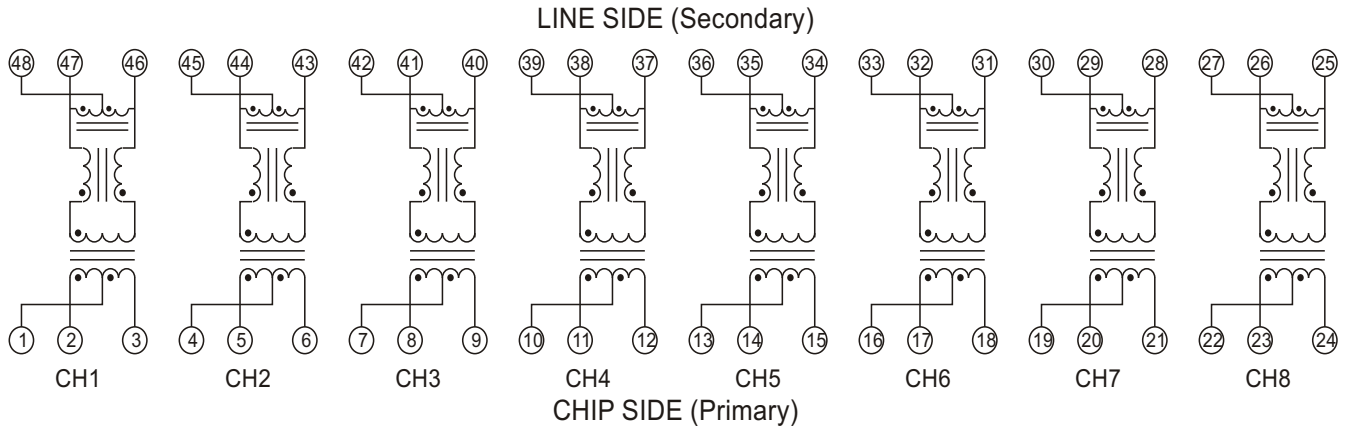
2. All dimensions are specified in $\frac{\text{inches}}{\text{mm}}$ with higher precedence in inches.
3. Unless otherwise specified, all tolerances are $\pm \frac{.010}{0.25}$.

Weight (in gram) : 4.6 typ.
Tape & Reel : 300 / reel



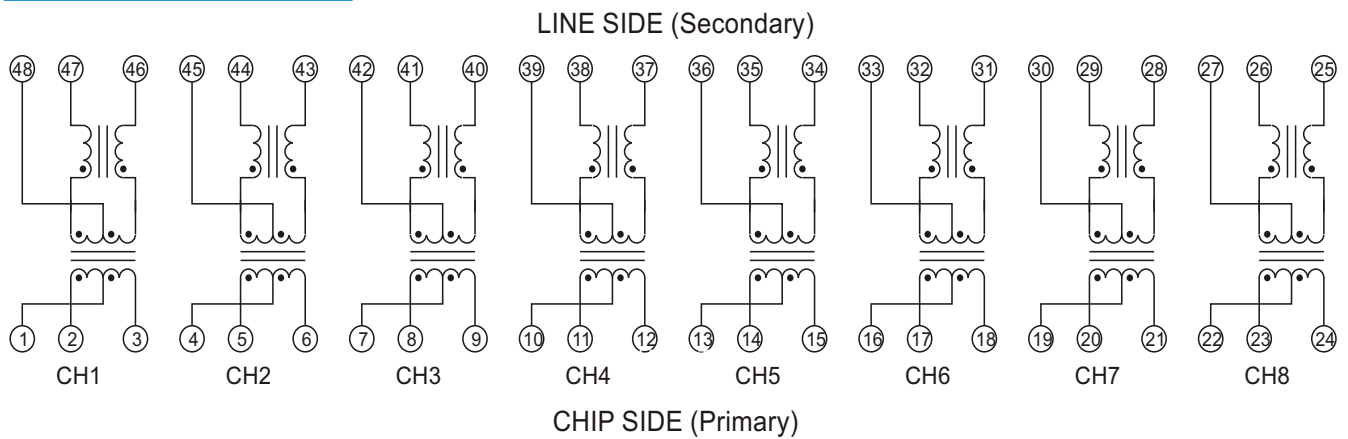
SCHEMATICS

824-M0167R



SCHEMATICS

824-M0168R

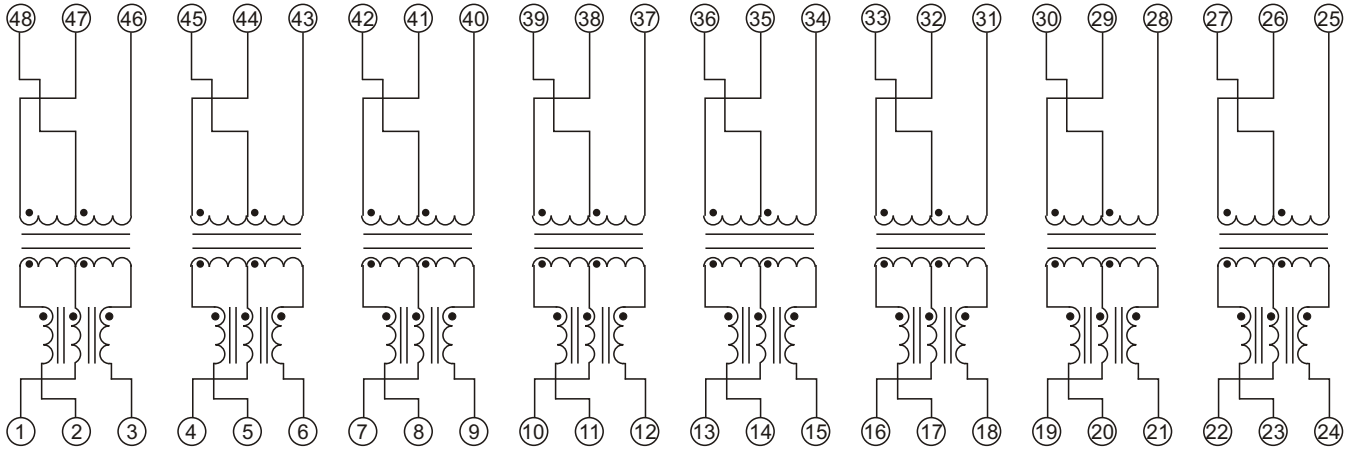




SCHEMATICS

824-M0329R / 824-M0331R

Line Side (Secondary)



Chip Side (Primary)

FOR MORE INFORMATION, PLEASE CONTACT

HEADQUARTER

1/F., Harbour View 1, No.12 Science Park East Avenue,
Phase II, Hong Kong Science Park, Shatin, N.T.

Hong Kong

Tel: (852) 2954 3333 Fax: (852) 2954 3304

Email: eempl@eleceltek.com

Website: <http://www.eleceltek.com> / www.eemagnetic.com

Information herein is for reference only and subject to change without notice. It does not constitute any representation, warranty or commitment of the company in respect of the products in any aspect. All logos, brands and product names mentioned herein are trademarks or registered trademarks of their respective owners. The company does not assume any liability arising out of the application or use of any product or circuit described herein. Copyrights 2009, E & E Magnetic Products Limited.

1/F., Harbour View 1, No.12 Science Park East Avenue, Phase II, Hong Kong Science Park, Shatin, N.T. Hong Kong

Tel: (852) 2954 3333 • Fax: (852) 2954 3304