

# GSD

KA-81-03

REVISIONS

ISSUE

CHANGES

6

CN 34251 C  
REDRAWN  
KH 11/02/92

KAM2377

SCALE 4:1

APPROX SURFACE AREA

USED ON

REF:

SHORTING CAP, TNC, F

DRAWN KH DATE 11/02/92

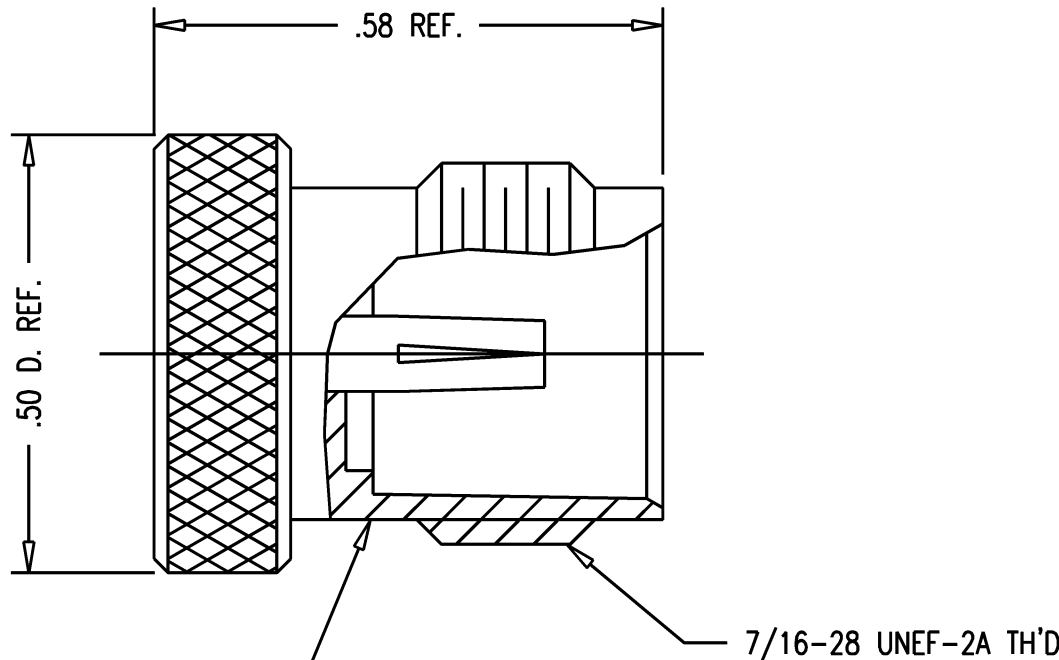
DESIGN LI DATE 11/03/92

APPR. DATE

**KINGS**

ELECTRONICS CO., INC.  
TUCKAHOE, NEW YORK 10707

KA-81-03



NOTES:

1. MATERIALS:

CENTER CONTACT: BER. COP., ASTM-B-196

BODY: BRASS, ASTM-B16

2. FINISHES:

CENTER CONTACTS: GOLD PLATE PER MIL-G-45204

BODY: SILVER PLATE PER QQ-S-365

# GSD