

PLEASE CHECK WWW.MOLEX.COM FOR LATEST PART INFORMATION

Part Number: [1300060043](#)
Status: **Active**
Overview: [minichange_products](#)
Description: Mini-Change® A-Size Single-Ended Cordset, Straight Female to Pigtail, 5 Poles, 9.0m (29.53') Length

Documents:

[Drawing \(PDF\)](#) [RoHS Certificate of Compliance \(PDF\)](#)

Agency Certification

CSA LR6837
 UL E152210

General

Product Family Industrial Cordsets
 Series [130006](#)
 Comments A-Size (7/8" - 16 UN-2B)
 Connector End A Mini-Change®
 Connector End B Pigtail
 IP Rating IP67
 NEMA Rating NEMA 6
 Overview [minichange_products](#)
 Product Name Mini-Change®
 Type Single Ended

Physical

Cable Diameter 12.70mm (.500")
 Cable Length 9.0m (29.53')
 Color - Cable Jacket Yellow
 Coupling Style Threaded
 Gender Female-Pigtail
 Keyway Single
 LED Indicator No
 Material - Cable Jacket PVC
 Material - Connector Body PVC
 Material - Contact Copper
 Material - Coupling Nut Black Epoxy Coated Zinc
 Material - Plating Mating Gold over Nickel
 Orientation Straight
 Poles 5
 Temperature Range - Operating -20°C to +105°C
 Wire Size AWG 16
 Wire/Cable Type ST00W

Electrical

Current - Maximum per Contact 8A
 Voltage - Maximum 600V

Material Info

Old Part Number 105000A02F090

Reference - Drawing Numbers

Sales Drawing SD-130006-021

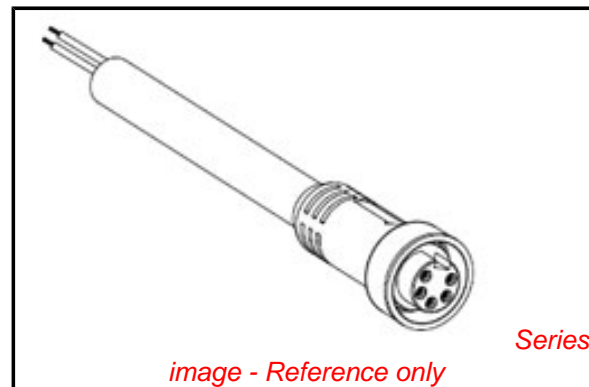


image - Reference only

EU RoHS

RoHS Compliant by Exemption
REACH SVHC
 Not Reviewed
Halogen-Free
Status
Not Reviewed

China RoHS



Need more information on product environmental compliance?

Email productcompliance@molex.com
 For a multiple part number RoHS Certificate of Compliance, [click here](#)

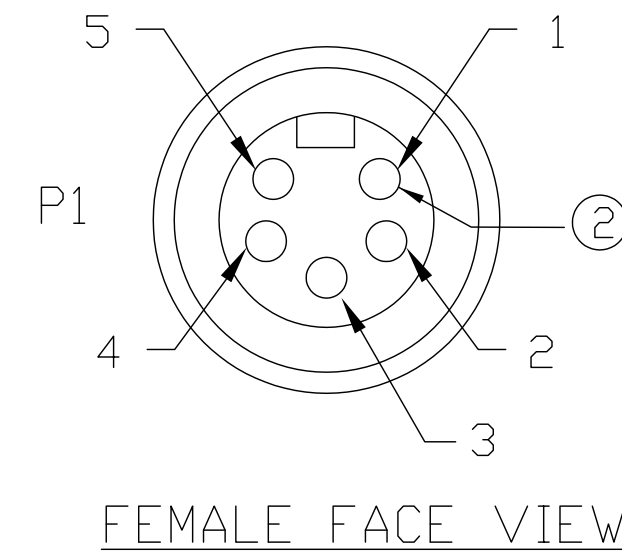
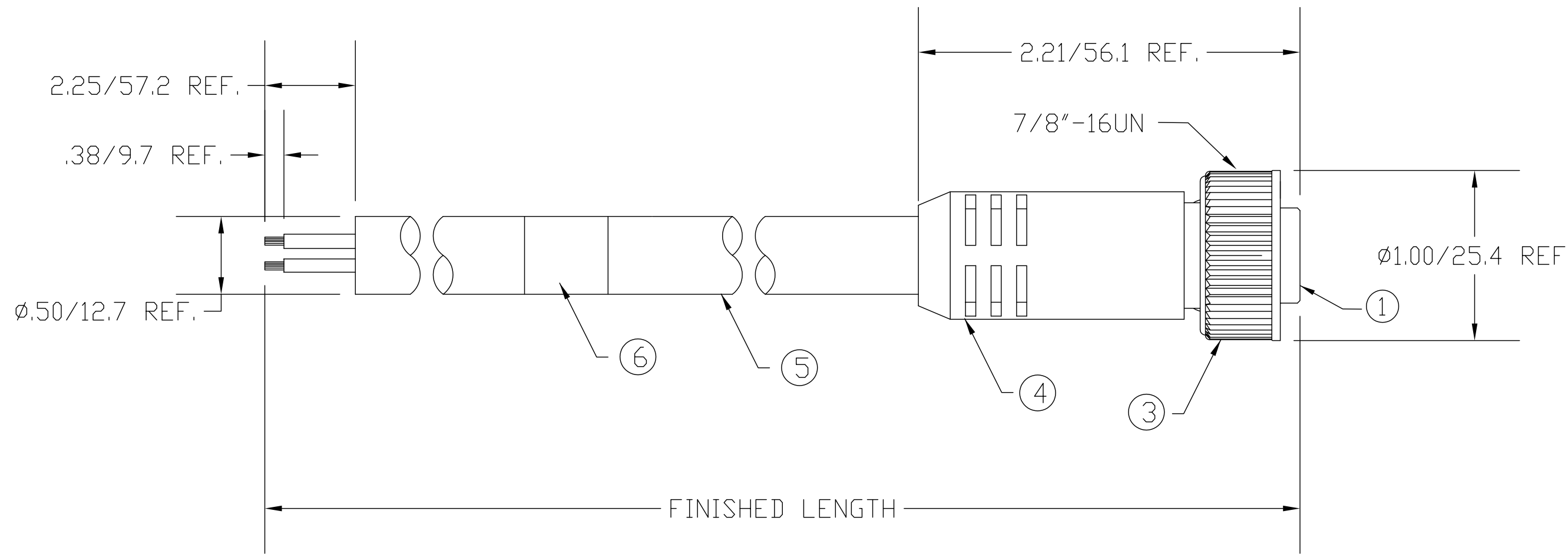
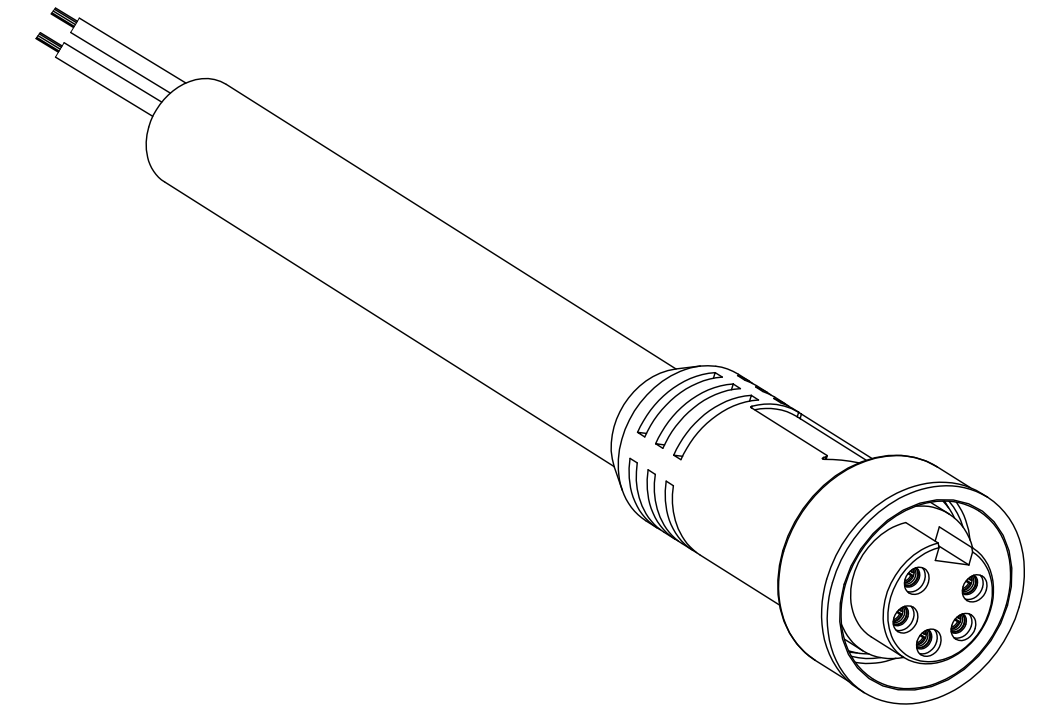
Please visit the [Contact Us](#) section for any non-product compliance questions.

Search Parts in this Series

[130006Series](#)

PLEASE CHECK WWW.MOLEX.COM FOR LATEST PART INFORMATION

MATERIAL NUMBER	OLD PART NUMBER	FINISHED LENGTH
130006-1237	105000A02F030	3.00' +1.75" -0 [.9M +44.5 -0]
130006-1240	105000A02F060	6.00' +2.19" -0 [1.8M +55.6 -0]
130006-0043	105000A02F090	9.00' +3.50" -0 [2.7M +88.9 -0]
130006-1244	105000A02F120	12.00' +3.50" -0 [3.7M +88.9 -0]
130006-1247	105000A02F150	15.00' +6.50" -0 [4.6M +165.1 -0]
130006-1248	105000A02F200	20.00' +6.50" -0 [6.1M +165.1 -0]
130006-1250	105000A02F250	25.00' +12.50" -0 [7.6M +317.5 -0]



P1

1	RED WITH #1
2	RED WITH #2
3	GREEN-GND
4	RED WITH #4
5	RED WITH #5

WIRING DIAGRAM

VOLTAGE RATING	600 VAC/VDC
AMPERAGE RATING	8 AMPS
PROTECTION	IP67
OPERATING TEMPERATURE	-20°C TO 105°C
UL CERTIFICATIONS	UL RECOGNIZED, FILE NO. E46237
CSA CERTIFICATIONS	CSA CERTIFIED, FILE NO. LR6837

ITEM	COMPONENT	MATERIAL	FINISH
1	INSERT	PVC	YELLOW
2	CONTACT SOCKET	COPPER ALLOY	GOLD OVER NICKEL
3	COUPLING NUT	ZINC DIE CAST	BLACK E-COATED
4	OVERMOLD	PVC	YELLOW
5	CABLE- 16 AWG, (65 x #34 COPPER STRANDING) 5 CONDUCTOR 600V, UL ST00W, CSA ST	PVC	YELLOW
6	LABEL	MYLAR	BLACK/YELLOW

RLSD DRAWING
 EC NO: WNA2010-0397
 DRWN: BWOODMAN2009/12/22
 CH'KD: LHARTMAN
 APPR: JFMURPHY 2010/01/05

QUALITY SYMBOL
 ▽=0
 ∇=0

DESCRIPTION
 REV A

GENERAL TOLERANCES (UNLESS SPECIFIED)	
	IN/MM
4 PLACES	±.005 / ±.13
3 PLACES	±.010 / ±.25
2 PLACES	±.015 / ±.38
1 PLACE	±.020 / ±.51

ANGULAR ±1/2°

DRAFT WHERE APPLICABLE MUST REMAIN WITHIN DIMENSIONS

DIMENSION STYLE	
IN/MM	
DRAWN BY	DATE
CHECKED BY	DATE
APPROVED BY	DATE
MATERIAL NO.	DATE

SEE CHART

SCALE 1:1

DESIGN UNITS INCH

THIRD ANGLE PROJECTION

TITLE
MINI-CHANGE 5P FP CORDSET AUTO 16/5 AWG PVC AUTO

MOLEX INCORPORATED

DOCUMENT NO. SD-130006-021

SHEET NO. 1 OF 1

THIS DRAWING CONTAINS INFORMATION THAT IS PROPRIETARY TO MOLEX INCORPORATED AND SHOULD NOT BE USED WITHOUT WRITTEN PERMISSION