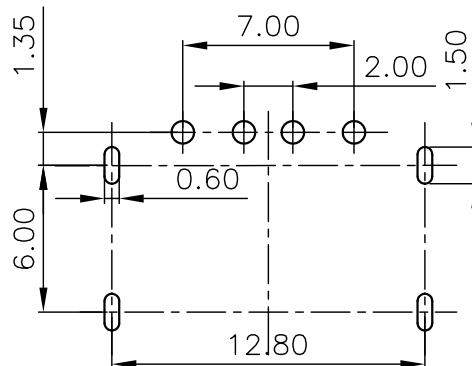
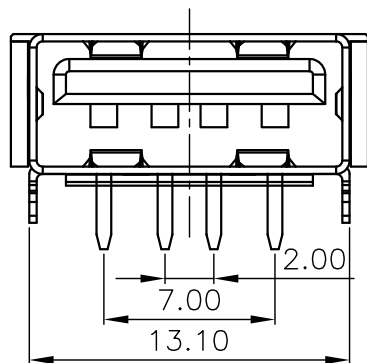
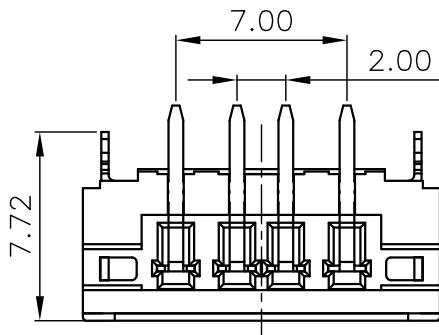
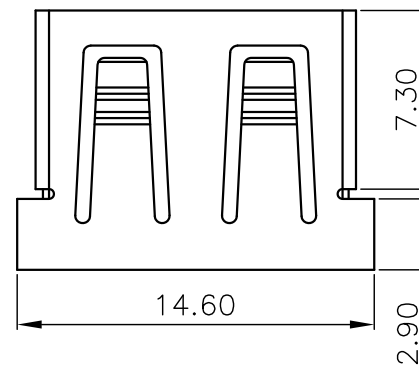
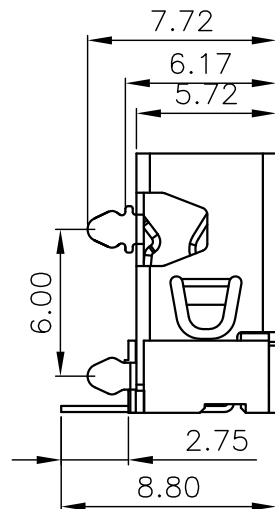
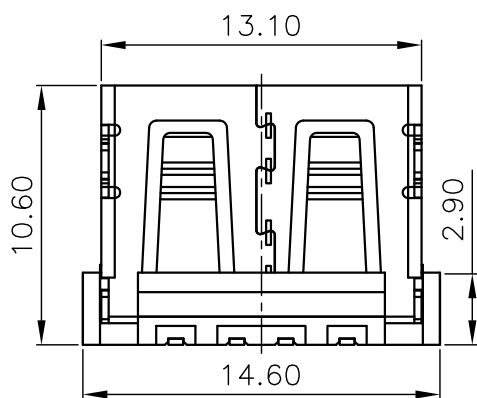


| SYM | ECN No. | MODIFICATION | DATE | ISSUED |
|-----|---------|--------------|------|--------|
| | | | | |



PCB LAYOUT



| | |
|---|--------------------|
| 1 | 914-421A2021D10200 |
| 2 | |
| 3 | |
| 4 | |

Note:

1. Material:
 - 1.1, Housing: High temperature thermoplastic with/black G/F, UL94v-0
 - 1.2, Contact: copper alloy, t=0.25mm
 - 1.3, Shell: copper/Ferroalloy alloy, t=0.30mm
2. Specification:
 - 2.1, Current rating: 1.5A Max.
 - 2.2, Dielectric withstanding voltage: 100 V(ac) for 1 min.
 - 2.3, Contact resistance: 30 mΩ Max.
 - 2.4, Insulation resistance: 100 MΩ Min.
 - 2.5, Total mating force: 3.57 Kg Max.
 - 2.6, Total unmating force: 1.0 Kg Min.
3. Finish:
 - 3.1, Contact: Plated Gold in Mating Area; Tin On Solder Talls
 - Shell: Nickel Plating
4. Environmental:
 - 4.1, Temperature range: -55°C~85°C

PART ON:

914-42XAXXX1D1XX

- 电镀规格: 02, 镀金1u" 04, 镀金3u" 07, 镀金15u" 08, 镀金30u"
- 端子材质: 1, 青铜 2, 磷铜
- 端子规格: D, 90度 Y, 180度 S, SMT贴板
- 塑胶型态: 1, 苹果款 2, 苹果款打码
- 塑胶颜色: 01, 白色 02, 黑色 03, 本色
- 塑胶材质: 1, PBT 2, LCP 3, PA9T 4, PPA 5, PA6T
- 对插方向: A, 正向
- 外壳材质: 1, 铁壳 2, 铜壳
- 插口类型: 2, 无边方弹 4, 无边尖弹 8, 无边底无弹 9, 无边大小弹
- 外壳脚型: 1, 10.0两脚鱼叉 2, 10.6两脚鱼叉 3, 前两脚锥形 4, 四脚锥形 5, 前两脚贴板
- 类别: 苹果款

| | | | | | | | |
|----------|------|-----------------------------------|--|--------------------|--------|------|------|
| DRAWN | | jt 深圳市精拓金电子有限公司 | | | | | |
| CHECKED | | TITLE | | PART NO. | | | |
| APPROVED | | AF10.6 苹果款四脚方弹铁壳 | | 914-421A2021D10200 | | | |
| | | LCP黑胶DIP | | DRAWING NO. | | | |
| | | | | R914421A1011D102 | | | |
| | UNIT | TOLERANCE | | SCALE | SHEET | SIZE | REV. |
| | mm | .XXX±.10, .XX±.20, .X±.25, ANG±5° | | 1:1 | 1 OF 1 | A4 | X1 |