

## IEC Connector C19, Rewireable, Angled



C19



70 °C

**Description**

- cable:  
Screwing cable terminal, Connector, Pin temperature 70 °C, Protection class I, Cable
- We recommend for new applications the type [4790](#)
- Note: Please order pvc strain relief separately, mating strain reliefs please find under accessories.

**Approvals**

- VDE License Number: 40008423
- CSA License Number: 1435558

**References**

[General Product Information](#)

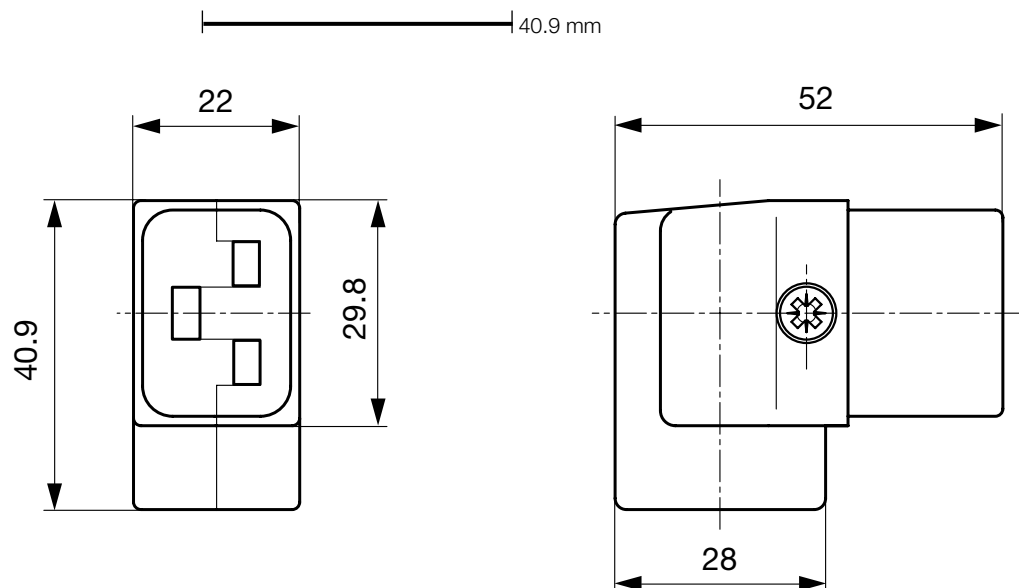
**Weblinks**

[Approvals](#), [RoHS](#), [CHINA-RoHS](#), [Mating Connectors](#), [e-Store](#), [Distributor-Stock-Check](#), [Accessories](#)

**Technical Data**

Ratings IEC	16 A / 250 VAC; 50 Hz
Ratings UL/CSA	21 A / 250 VAC; 60 Hz
Dielectric Strength	> 3 kVAC between L-N > 1.5 kVAC between L/N-PE (1 min/50 Hz)
Allowable Operation Temp.	-25 °C to 70 °C
Protection Class	Suitable for appliances with protection class 1 acc. to IEC 61140
Terminal	Screw terminals
Material: Housing	UL 94V-0

Connector	C19 acc. to IEC/EN 60320-2-2 UL 498, CSA C22.2 no. 42 (for cold conditions) pin-temperature 70 °C, 16 A, Protection Class 1
-----------	--

**Dimensions**

## Config. Code

Product Configurator

1651 - H - A B C 0 - D - E J

The characters are placeholders for the correspondingly keys of selections from the key tables.

## 1651 - H - A B C 0 - D - E J = Type

Type	Configuration key
protection class 1	X

## 1651 - H - A B C 0 - D - E J = Terminals

Terminal L	Configuration key
screw terminal	A

## 1651 - H - A B C 0 - D - E J = Terminals

Terminal N	Configuration key
screw terminal	A

Symbols similar as in table A

## 1651 - H - A B C 0 - D - E J = Terminals

Terminal Ground	Configuration key
screw terminal	A

Symbols similar as in table A

## 1651 - H - A B C 0 - D - E J = Color

Color	Configuration key
jet black; RAL9005	A
silver grey; RAL7001	B
pure white; RAL9010	D
standard color: black	

## 1651 - H - A B C 0 - D - E J = Style

Style	Configuration key
for cord assembly	8

## 1651 - H - A B C 0 - D - E J = Condition

Condition	Configuration key
assembled	1
disassembled	2

## Variants

Config. Code	Description	Order Number
1651-X-AAA0-A-81	1651, IEC Connector, C19, 70°C, version: 1, L: screw terminal, N: screw terminal, ground: screw terminal, color: jet black; RAL9005, design: for cord assembly, condition:assembled	4310.0016
1651-X-AAA0-B-81	1651, IEC Connector, C19, 70°C, version: 1, L: screw terminal, N: screw terminal, ground: screw terminal, color: silver grey; RAL7001, design: for cord assembly, condition:assembled	4310.0017

The listed variants should be available from stock. Other versions on request [www.schurter.com/contact](http://www.schurter.com/contact)

Packaging unit 50 Pcs

## Accessories

## Description

HN 14.110  
PVC Strain ReliefHN 14.45  
PVC Strain Relief



HN 14.46  
PVC Strain Relief

## Mating Inlets/Plugs

### Category / Description

#### Appliance Inlet Overview complete



IEC Appliance Inlet C20, Screw-on Mounting, Rear Side, PCB Terminal	1601
IEC Appliance Inlet C20, Screw-on Mounting, Front Side, Solder or Quick-connect or Screw-on Terminal	1621
IEC Appliance Inlet C20, Snap-in Mounting, Front Side, Solder or Quick-connect Terminal	4793
IEC Appliance Inlet C24, Snap-in Mounting, Front Side, Solder or Quick-connect Terminal	4794
IEC Appliance Inlet C20, Screw-on Mounting, Front Side, Solder or Quick-connect Terminal	4798

[Appliance Inlet further types to 1651](#)



#### Appliance inlets/-outlets Overview complete

Plug Coupler IEC C20 / IEC J, Screw-on Mounting	4730
---	------

[Appliance inlets/-outlets further types to 1651](#)



#### Plug Overview complete

IEC Plug I, Cord Connector (Rewireable), Straight	0106
IEC Plug I, Cord Connector (Rewireable), Angled	1611
IEC Plug I, Cord Connector (Rewireable), Angled	4789
IEC Plug I, Cord Connector (Rewireable), Straight	4796

[Plug further types to 1651](#)



#### Power Entry Module Overview complete

IEC Appliance Inlet C20 with Circuit Breaker	1624-K
IEC Appliance Inlet C20 with Line Switch, 1- or 2-pole	EC11
IEC Appliance Inlet C20 with Circuit Breaker TA45	EF11
	EG11

[Power Entry Module further types to 1651](#)

#### Power Entry Module with line filter Overview complete



IEC Appliance Inlet C20 with Filter, ECO design, front or rear side Mounting	5130
IEC Appliance Inlet C20 with Filter, Front or Rear Side Mounting	C20F
IEC Appliance Inlet C14 with Filter, Line Switch 2-pole	EC12
IEC Appliance Inlet C20 with Filter, Circuit Breaker TA45 (recessed)	EF12
	EG12

[Power Entry Module with line filter further types to 1651](#)