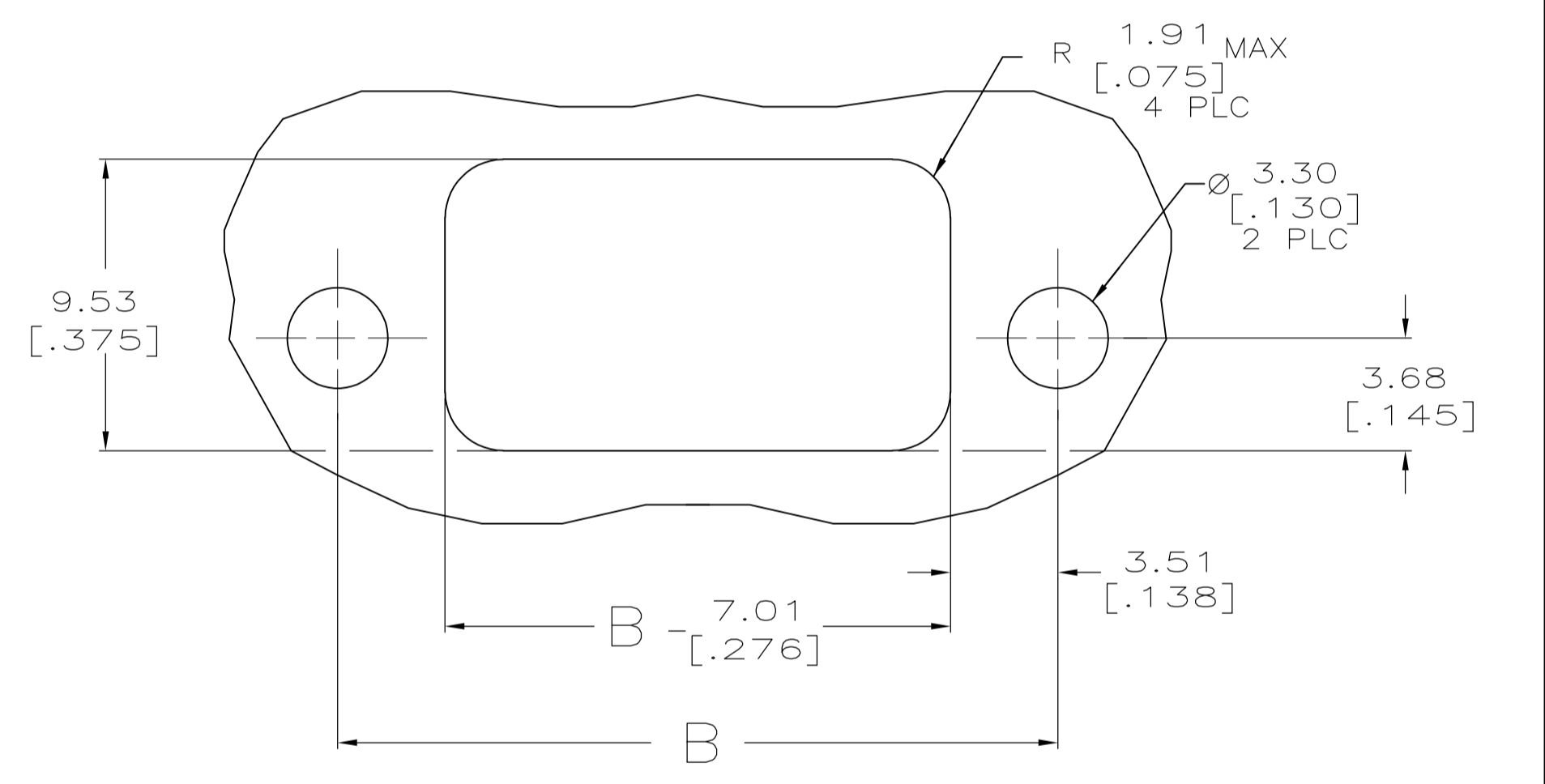
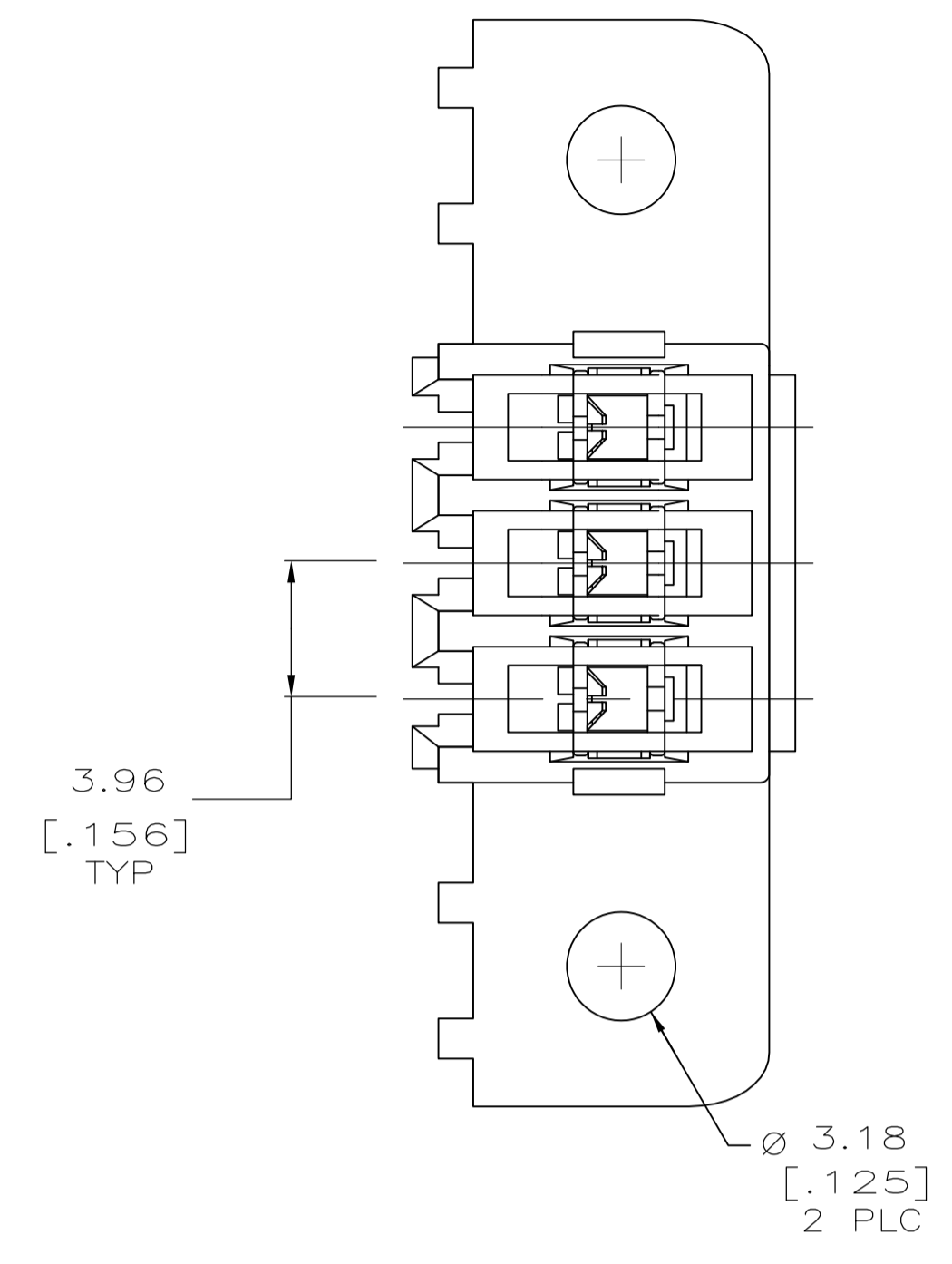
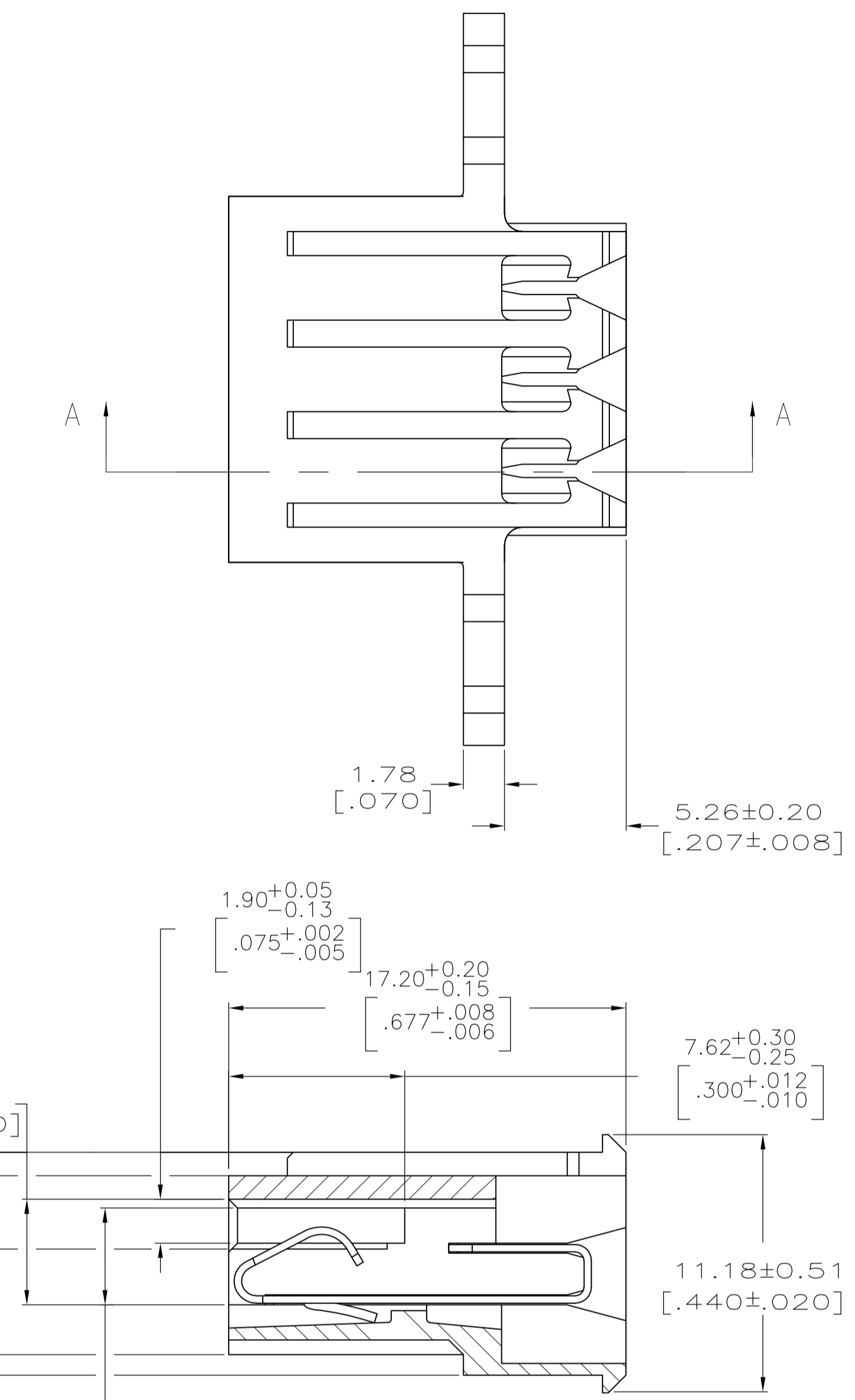
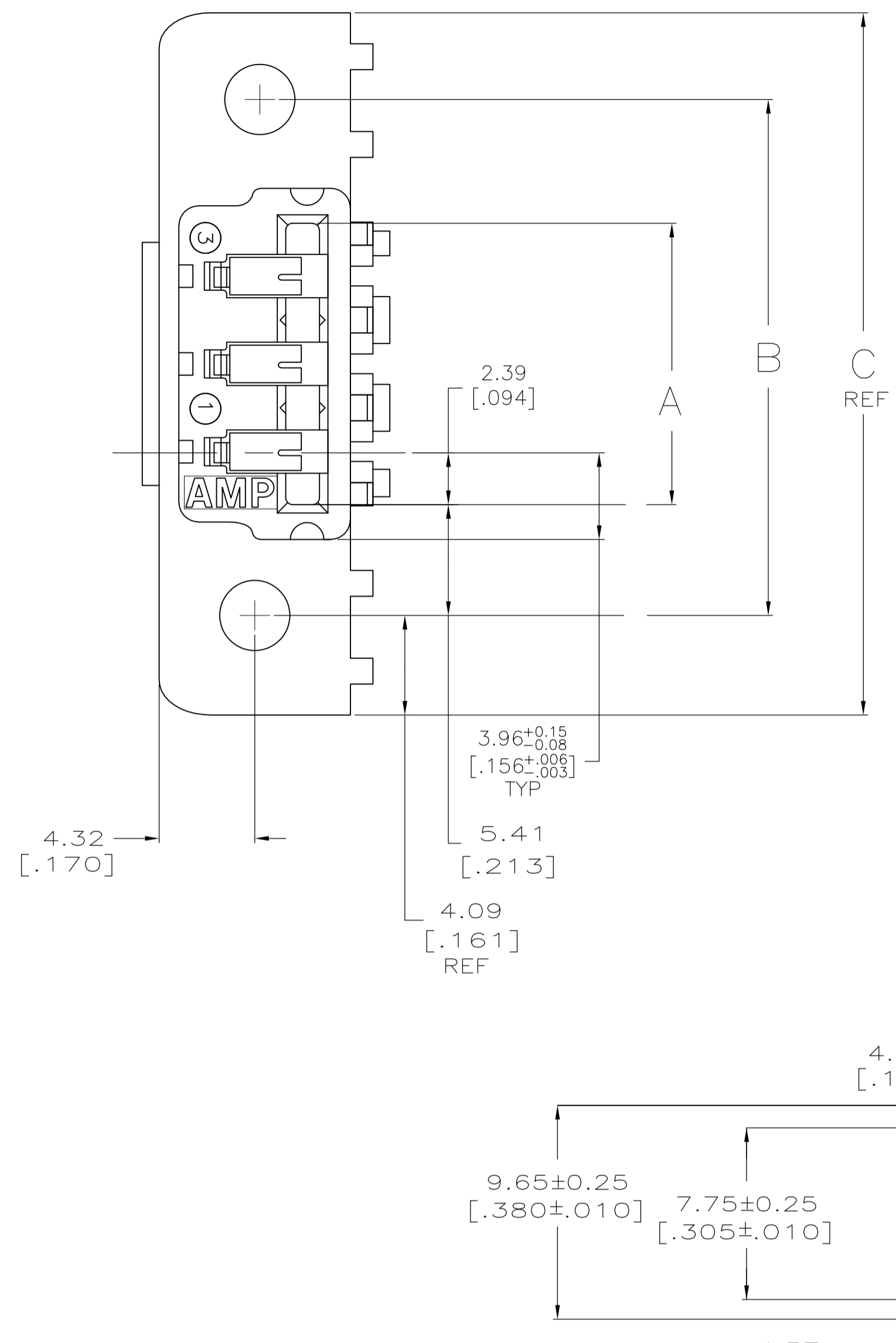


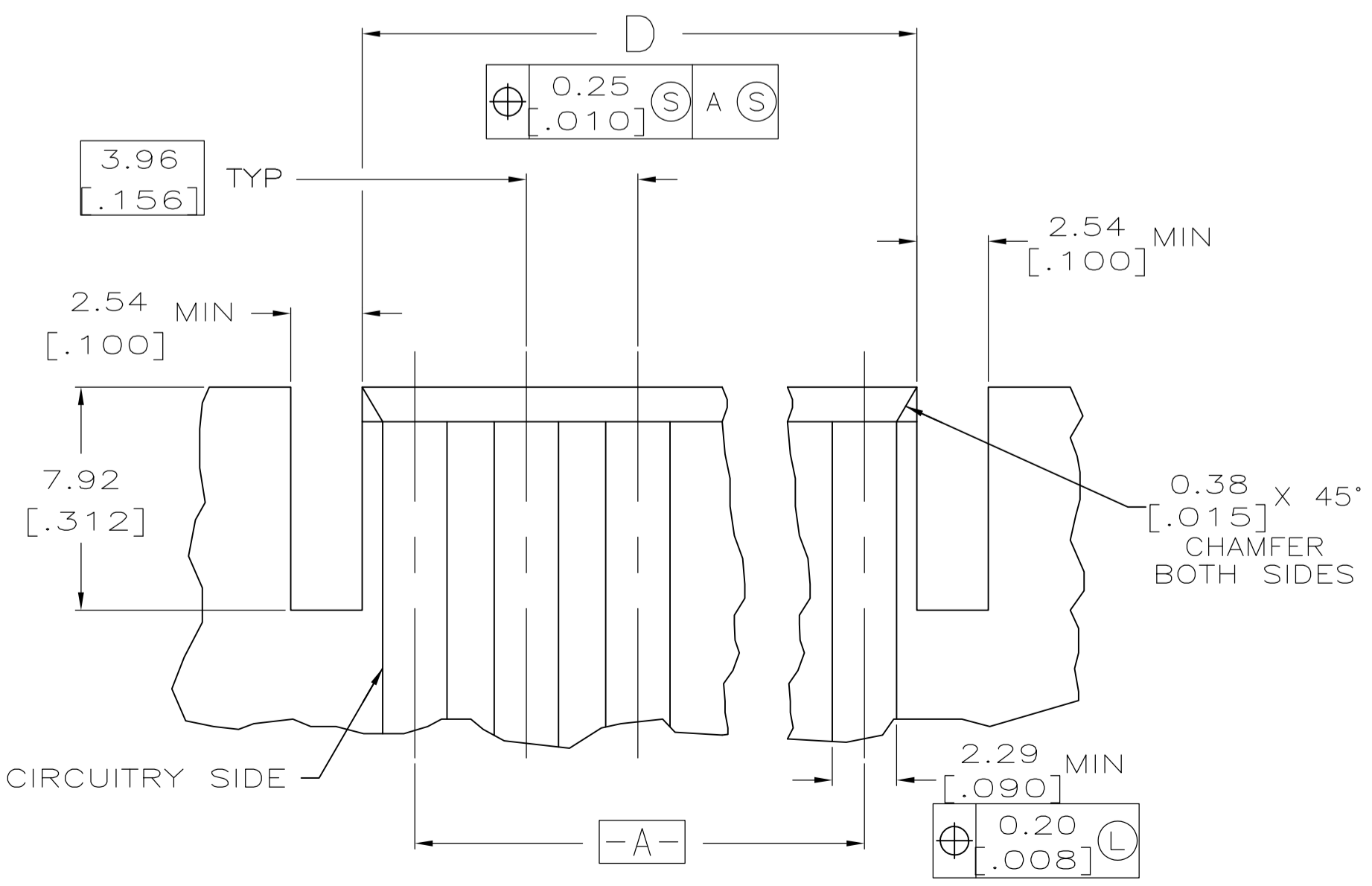
LOC	DIST	REVISIONS			
		REV	DESCRIPTION	DATE	BY
	0	N	ECO-07-012897	26JUN07	KW DB
		N1	REVISED PER ECO-09-023313	13OCT09	KK AEG

1. MATERIAL:
CONNECTOR: POLYESTER UL94V-0 (RED).
CONTACTS: 0.30 [.012] THK COPPER ALLOY.
 2. CONTACT ACCEPT #22 AWG WIRE WITH 2.41 [.095] MAXIMUM INSULATION DIAMETER.
 3. CONNECTOR MATES WITH 1.57±0.20[.062±.008] THICK PC BOARD.
 4. HOUSING FEATURES: CLOSED END, STANDARD MOUTH WITH MOUNTING EARS.
- △ CONTACT FINISH: BRIGHT TIN-LEAD 0.00203[.000080] MIN THK.
 △ CONTACT FINISH: MATTE WHISKER MITIGATED TIN 0.00203[.000080] MIN THICKNESS OVER NICKEL UNDERPLATE.
 △ OBSOLETE PARTS: OBSOLETE CIS STREAMLINING PER D.RENAUD/D.SINISI



RECOMMENDED PANEL CUTOUT

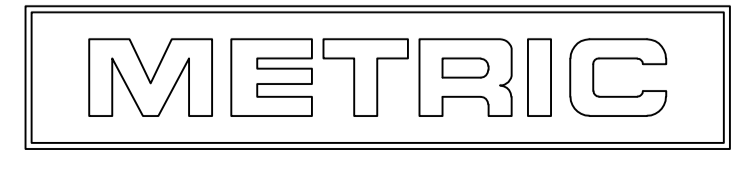
SECTION A-A



RECOMMENDED P.C. BOARD LAYOUT

CONTACT FINISH	D				C				B				A				NO. OF CIRCUITS	PART NUMBER
	6	5	7	3	6	5	7	3	6	5	7	3	6	5	7	3		
	95.50	[3.760]	114.91	[4.524]	106.73	[4.202]	95.91	[3.776]	24	5-640866-4								
	91.54	[3.604]	110.95	[4.368]	102.77	[4.046]	91.95	[3.620]	23	5-640866-3								
	87.58	[3.448]	106.98	[4.212]	98.81	[3.890]	87.99	[3.464]	22	5-640866-2								
	83.62	[3.292]	103.02	[4.056]	94.84	[3.734]	84.02	[3.308]	21	5-640866-1								
	79.65	[3.136]	99.06	[3.900]	90.88	[3.578]	80.06	[3.152]	20	5-640866-0								
	71.73	[2.824]	91.14	[3.588]	82.96	[3.266]	72.14	[2.840]	18	4-640866-8								
	59.84	[2.356]	79.25	[3.120]	71.07	[2.798]	60.25	[2.372]	15	4-640866-5								
	47.96	[1.888]	67.36	[2.652]	59.18	[2.330]	48.36	[1.904]	12	4-640866-2								
	36.07	[1.420]	55.47	[2.184]	47.29	[1.862]	36.47	[1.436]	9	3-640866-9								
	24.18	[.952]	43.59	[1.716]	35.41	[1.394]	24.59	[.968]	6	3-640866-6								
	12.29	[.484]	31.70	[1.248]	23.52	[.926]	12.70	[.500]	3	3-640866-3								
	95.50	[3.760]	114.91	[4.524]	106.73	[4.202]	95.91	[3.776]	24	2-640866-4								
	91.54	[3.604]	110.95	[4.368]	102.77	[4.046]	91.95	[3.620]	23	2-640866-3								
	87.58	[3.448]	106.98	[4.212]	98.81	[3.890]	87.99	[3.464]	22	2-640866-2								
	83.62	[3.292]	103.02	[4.056]	94.84	[3.734]	84.02	[3.308]	21	2-640866-1								
	79.65	[3.136]	99.06	[3.900]	90.88	[3.578]	80.06	[3.152]	20	2-640866-0								
	71.73	[2.824]	91.14	[3.588]	82.96	[3.266]	72.14	[2.840]	18	1-640866-8								
	59.84	[2.356]	79.25	[3.120]	71.07	[2.798]	60.25	[2.372]	15	1-640866-5								
	47.96	[1.888]	67.36	[2.652]	59.18	[2.330]	48.36	[1.904]	12	1-640866-2								
	36.07	[1.420]	55.47	[2.184]	47.29	[1.862]	36.47	[1.436]	9	640866-9								
	24.18	[.952]	43.59	[1.716]	35.41	[1.394]	24.59	[.968]	6	640866-6								
	12.29	[.484]	31.70	[1.248]	23.52	[.926]	12.70	[.500]	3	640866-3								

SUPERSEDED



THIS DRAWING IS A CONTROLLED DOCUMENT. DIN 9139 LUIS 2-20-96
 DIMENSIONS: mm [INCHES] TOLERANCES UNLESS OTHERWISE SPECIFIED:
 0 PLC ± -
 1 PLC ± -
 2 PLC ± 0.13 [005]
 3 PLC ± -
 4 PLC ± -
 ANGLES ± -

Tyco Electronics Corporation
 Harrisburg, Pa 17105-3608
 MTA-156
 CARD EDGE CONNECTOR ASSEMBLY,
 22 AWG, PANEL MOUNT
 SIZE: A1 00779 0640866
 SCALE: 5:1 SHEET: 1 of 1 REV: N1