


Data interface - SI-RND-R1A - 1425186

Please be informed that the data shown in this PDF Document is generated from our Online Catalog. Please find the complete data in the user's documentation. Our General Terms of Use for Downloads are valid (<http://phoenixcontact.com/download>)

Service socket with RJ45 (socket/socket), 8-pos. metal, CAT6A connection, with protective cover



Key Commercial Data

Packing unit	1 pc
GTIN	 4 0 5 5 6 2 6 3 8 6 7 0 6
GTIN	4055626386706

Technical data

Mechanical characteristics

Assembly instructions	Panel thickness: 1 mm ... 3 mm
Number of positions	8
Connection profile	RJ45
Insertion/withdrawal cycles	≥ 750
Type of contact	Socket

Ambient conditions

Ambient temperature (operation)	-40 °C ... 70 °C
Degree of protection	IP65 (with closed protective cover)

Material data

Flammability rating according to UL 94	V0
Housing material	PA
Contact material	Copper alloy
Contact surface material	gold-plated
Height	42.7 mm

Electrical characteristics

Number of positions	8
---------------------	---

Data interface - SI-RND-R1A - 1425186

Technical data

Electrical characteristics

GRP transmission properties	CAT6 _A
Transmission speed	10 Gbps (RJ45 (socket/socket), 8-pos.)

Standards and Regulations

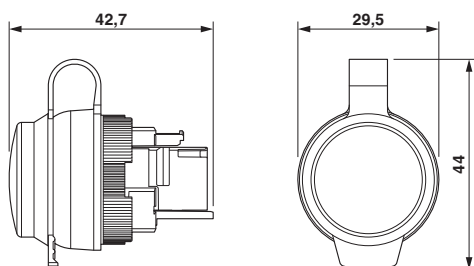
Flammability rating according to UL 94	V0
--	----

Environmental Product Compliance

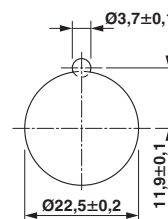
REACH SVHC	Lead 7439-92-1
China RoHS	Environmentally Friendly Use Period = 50 years
	For details about hazardous substances go to tab "Downloads", Category "Manufacturer's declaration"

Drawings

Dimensional drawing



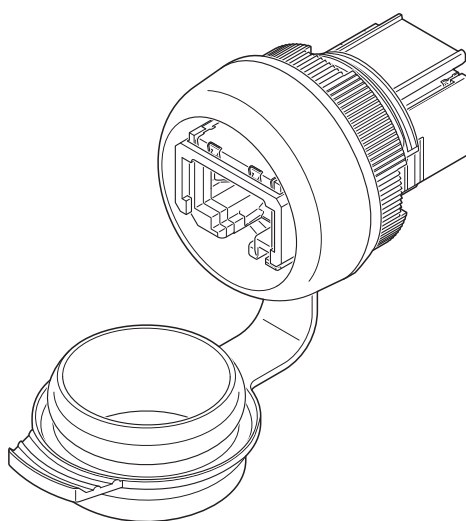
Dimensional drawing



Mounting cutout

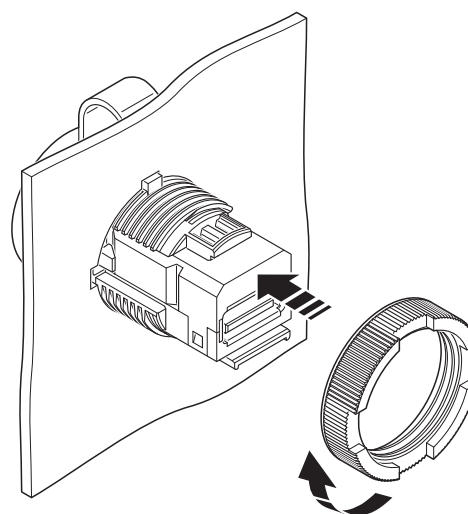
Dimensional drawing

Schematic diagram



Schematic drawing 1

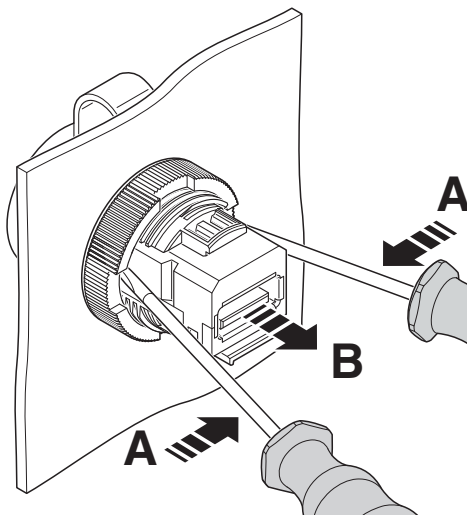
Schematic diagram



Schematic drawing 2

Data interface - SI-RND-R1A - 1425186

Schematic diagram



Schematic drawing 3

Classifications

eCl@ss

eCl@ss 10.0.1	27182806
eCl@ss 11.0	27182806
eCl@ss 5.0	27189200
eCl@ss 5.1	27189200
eCl@ss 6.0	27189200
eCl@ss 7.0	27189217
eCl@ss 9.0	27189217

ETIM

ETIM 6.0	EC000456
ETIM 7.0	EC000456

UNSPSC

UNSPSC 18.0	39121302
UNSPSC 19.0	39121302
UNSPSC 20.0	39121302
UNSPSC 21.0	39121302

Approvals

Approvals

Approvals


UL Listed / cUL Listed / cULus Listed


Data interface - SI-RND-R1A - 1425186


Approvals

Ex Approvals

Approval details

UL Listed		http://database.ul.com/cgi-bin/XYV/template/LISEXT/1FRAME/index.htm	FILE E 335024
-----------	---	---	---------------

cUL Listed		http://database.ul.com/cgi-bin/XYV/template/LISEXT/1FRAME/index.htm	FILE E 335024
------------	---	---	---------------

cULus Listed			
--------------	--	--	--

Phoenix Contact 2021 © - all rights reserved
<http://www.phoenixcontact.com>

PHOENIX CONTACT GmbH & Co. KG
Flachsmarktstr. 8
32825 Blomberg
Germany
Tel. +49 5235 300
Fax +49 5235 3 41200
<http://www.phoenixcontact.com>