

Series 804 Hermetic Receptacles



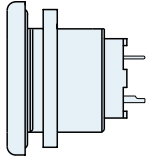
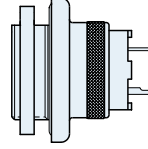
Series 804 Hermetic
Jam Nut Mount

Series 804 Hermetic Receptacles feature 304L stainless steel shells, fused vitreous glass insulators and gold-plated Alloy 52 iron alloy contacts.

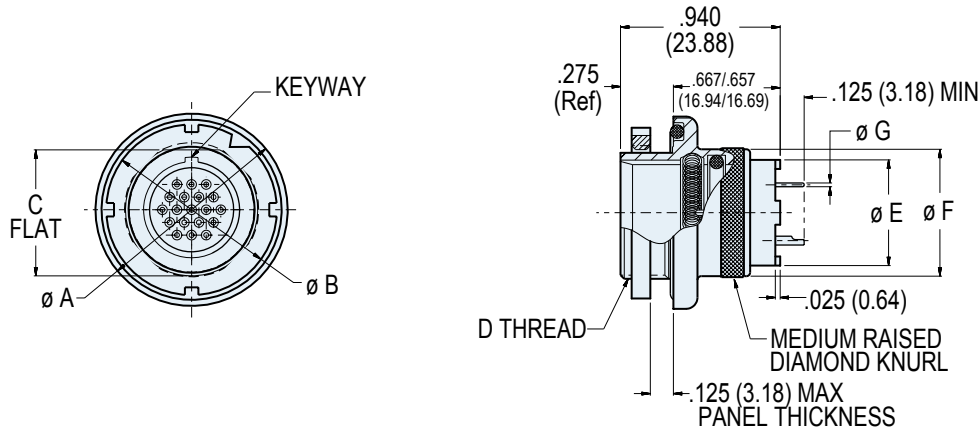
1 X 10⁻⁶ cc/second maximum helium leak rate when tested at 1 atmosphere vacuum.

Two Shell Styles are available:
Style 00 for front panel mounting, and
Style 07 for rear panel mounting.

Solder Cup Contacts accept up to #22 AWG stranded wire. Or, choose **Printed Circuit Board Contacts** for attachment to rigid boards or flexible circuits.

| HOW TO ORDER | | | | | |
|---|---|--|---|---|---|
| Sample Part Number | | | | | |
| 804-006 | -07 | Z1 | 9-19 | P | A |
| Series | Shell Style | Shell Material / Finish | Shell Size/Insert | Contact Type | Shell Key Position |
| 804-006 Hermetic Receptacles with Printed Circuit Board Contacts or Solder Cup Contacts |  -00 Jam Nut, Front Panel | Z1 Stainless Steel / Passivated ZL Stainless Steel/ Nickel Plated | 5-3 3 #23 6-1 1 #16 6-4 4 #23 6-7 7 #23 7-1 1 #12 7-10 10 #23 8-13 13 #23 9-4 4 #16 9-19 19 #23 10-26 26 #23 12-2 2 #12 12-37 37 #23 14-55 55 #23 15-85 85 #23 | P Pin, Solder Cup C Pin, PC Tail | Omit for Single Master Key A Pos. A (Normal) B Pos. B C Pos. C D Pos. D |
| |  -07 Jam Nut, Rear Panel | | | | |

Series 804 Hermetic Receptacles – Rear Panel Jam Nut



Rear Panel Jam Nut
804-006-07

DIMENSIONS

| Shell Size | $\varnothing A$ | | $\varnothing B$ | | C Flat | | D Threads | $\varnothing E$ | | $\varnothing F$ | | $\varnothing G$ Tail Dia. |
|------------|-----------------|-------|-----------------|-------|--------|-------|-----------------|-----------------|-------|-----------------|-------|---------------------------|
| | In. | mm. | In. | mm. | In. | mm. | | In. | mm. | In. | mm. | |
| 5 | .790 | 20.07 | .562 | 14.27 | .415 | 10.54 | .4375-32 UN-2A | .244 | 6.20 | .450 | 11.43 | #23 |
| 6 | .830 | 21.08 | .625 | 15.87 | .467 | 14.40 | .5000-32 UN-2A | .330 | 8.38 | .520 | 13.21 | .018/.022 (0.46/0.56) |
| 7 | .910 | 23.11 | .750 | 19.05 | .594 | 15.09 | .6250-28 UN-2A | .432 | 10.97 | .580 | 14.73 | #16 |
| 8 | .955 | 24.26 | .750 | 19.05 | .594 | 15.09 | .6250-28 UN-2A | .493 | 12.52 | .603 | 15.32 | .060/.064 (1.52/1.63) |
| 9 | 1.000 | 25.40 | .812 | 20.62 | .655 | 16.64 | .6875-32 UN-2A | .551 | 14.00 | .695 | 17.65 | #12 |
| 10 | 1.085 | 27.48 | .875 | 22.22 | .721 | 18.31 | .7500-28 UN-2A | .620 | 15.75 | .735 | 18.67 | |
| 12 | 1.180 | 29.97 | 1.000 | 25.40 | .843 | 21.41 | .8750-28 UN-2A | .703 | 17.86 | .880 | 22.35 | |
| 14 | 1.325 | 33.66 | 1.125 | 28.57 | .968 | 24.59 | 1.0000-28 UN-2A | .863 | 21.92 | 1.010 | 25.65 | .092/.096 (2.34/2.44) |
| 15 | 1.390 | 35.31 | 1.188 | 30.17 | 1.029 | 26.14 | 1.0625-20 UN-2A | .912 | 23.16 | 1.060 | 26.92 | |

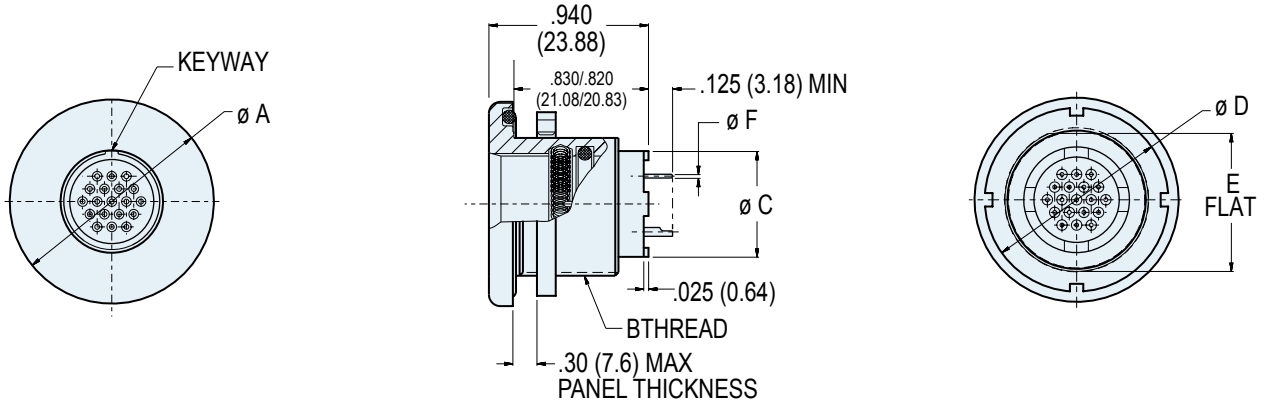
ALTERNATE KEY POSITIONS

| Pos. | A° | B° |
|------|------|------|
| A | 150° | 210° |
| B | 75° | 210° |
| C | 95° | 230° |
| D | 140° | 275° |

JAM NUT PANEL CUTOUT

| Shell Size | A Flat | | $\varnothing B$ | |
|------------|---------------|---------------|-----------------|-------|
| | In. ± .002 | mm. ± 0.05 | In. | mm. |
| 5 | .425 | 10.80 | .448 | 11.38 |
| 6 | .477 | 12.12 | .510 | 12.95 |
| 7 | .604 | 15.34 | .635 | 16.13 |
| 8 | .604 | 15.34 | .635 | 16.13 |
| 9 | .665 | 16.89 | .695 | 17.65 |
| 10 | .731 | 18.57 | .760 | 19.30 |
| 12 | .853 | 21.67 | .885 | 22.48 |
| 14 | .978 | 24.84 | 1.010 | 25.65 |
| 15 | 1.039 | 26.39 | 1.070 | 27.18 |

Series 804 Hermetic Receptacles – Front Panel Jam Nut



Front Panel Jam Nut
804-006-07

| DIMENSIONS | | | | | | | | | |
|------------|-------|-------|-----------------|------|-------|-------|-------|--------|-------|
| Shell Size | Ø A | | B Threads | Ø C | | Ø E | | E Flat | |
| | In. | mm. | | In. | mm. | In. | mm. | In. | mm. |
| 5 | .830 | 21.08 | .5000-32 UN-2A | .244 | 6.20 | .625 | 15.87 | .470 | 11.94 |
| 6 | .885 | 22.48 | .6250-28 UN-2A | .330 | 8.38 | .688 | 17.47 | .530 | 13.46 |
| 7 | .995 | 25.27 | .6875-32 UN-2A | .432 | 10.97 | .812 | 20.62 | .663 | 16.84 |
| 8 | .995 | 25.27 | .6875-32 UN-2A | .493 | 12.52 | .812 | 20.62 | .663 | 16.84 |
| 9 | 1.075 | 27.31 | .7500-28 UN-2A | .551 | 14.00 | .875 | 22.22 | .720 | 18.29 |
| 10 | 1.140 | 28.95 | .8750-28 UN-2A | .620 | 15.75 | .938 | 23.82 | .788 | 20.02 |
| 12 | 1.340 | 34.04 | 1.0000-28 UN-2A | .703 | 17.86 | 1.125 | 28.57 | .970 | 24.64 |
| 14 | 1.390 | 35.31 | 1.0625-20 UN-2A | .863 | 21.92 | 1.188 | 30.18 | 1.020 | 25.91 |
| 15 | 1.450 | 36.83 | 1.1250-28 UN-2A | .912 | 23.16 | 1.250 | 31.75 | 1.093 | 27.76 |

ALTERNATE KEY POSITIONS

| Pos. | A° | B° |
|------|------|------|
| A | 150° | 210° |
| B | 75° | 210° |
| C | 95° | 230° |
| D | 140° | 275° |

JAM NUT PANEL CUTOUT

| Shell Size | A Flat | | Ø B | |
|------------|------------|------------|-------|-------|
| | In. ± .002 | mm. ± 0.05 | In. | mm. |
| 5 | .480 | 12.19 | .510 | 12.95 |
| 6 | .540 | 13.72 | .575 | 14.61 |
| 7 | .674 | 17.12 | .698 | 17.73 |
| 8 | .674 | 17.12 | .698 | 17.73 |
| 9 | .730 | 18.54 | .760 | 19.30 |
| 10 | .799 | 20.29 | .822 | 20.88 |
| 12 | .980 | 24.89 | 1.010 | 25.65 |
| 14 | 1.030 | 26.16 | 1.075 | 27.31 |
| 15 | 1.013 | 25.73 | 1.135 | 28.83 |