

# Series USB-M

## Mini USB - 90° Receptacle (5 Pin SMT)

### Specifications

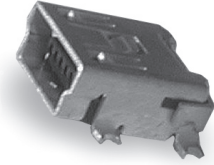
Insulation Resistance:	100MΩ at 100 V DC for 1 minute
Current Rating:	1A max. per contact
Voltage Rating:	100V ACrms max.
Withstanding Voltage:	500V AC for 1 minute
Contact Resistance:	50mΩ max. at 20mV max. / 100mA max.

### Part Number

USB-M05-003

### Materials and Finish

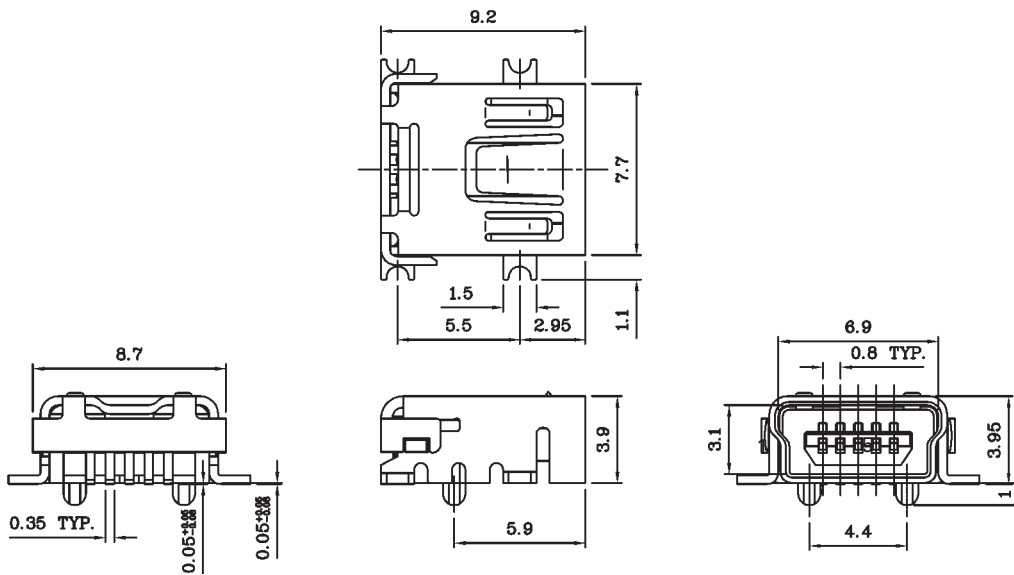
Housing:	PA 6T, glass filled (UL94V-0)
Shell:	Copper Alloy, Tin over Cu
Contacts:	Copper Alloy
Contact Plating:	Solder area - Tin over Ni
	Mating area - 30μ" Au over Ni



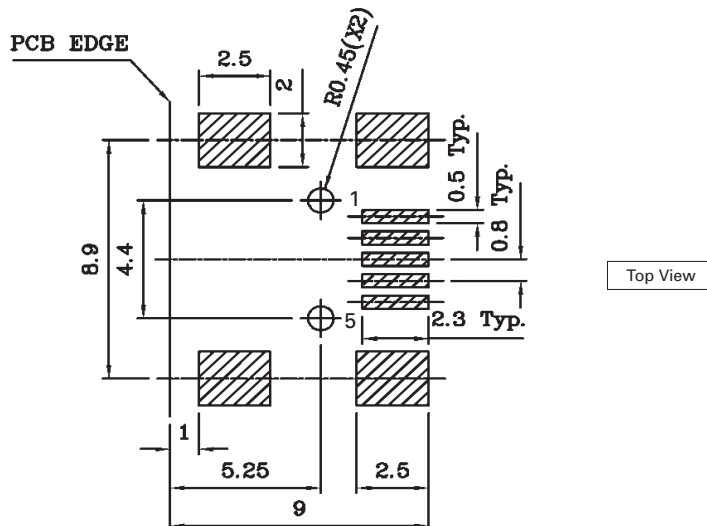
### Features

- According to Hi-Speed USB standard, data transmission rate up to 480 Mbit / sec

### Outline Dimensions SMT Type



### Recommended PCB Layout



USB (Universal Serial Bus and IEEE1394)

Specifications

Insulation Resistance:	100MΩ at 100 V DC for 1 minute
Withstanding Voltage:	100V AC for 1 minute
Voltage Rating:	30V ACrms max.
Current Rating:	1A max. per contact
Contact Resistance:	30mΩ max. at 20mV max. / 100mA max.

Part Number

USB-M05-P

**Note:**  
USB-M05-P is only available in assembled versions with moulded strain relief.  
For more details please contact Yamaichi.

Materials and Finish

Shell:	Ni plated over Copper
Housing:	Thermoplastic, glass filled (UL94V-0)
Contacts:	Copper Alloy
Contact Plating:	Mating area - 30μ" Au over Nickel



Photo showing plug without plastic molding

Features

- Premating contacts to secure data protection when hot plug / unplug
- According to Hi-Speed USB standard, data transmission rate up to 480 Mbit / sec

Outline Dimensions Plug

