

**PLEASE CHECK WWW.MOLEX.COM FOR LATEST PART INFORMATION**

**Part Number:** [0557590771](#)  
**Status:** **Active**  
**Description:** 7.50mm (.295") Pitch MTC™ Right Angle PCB Header, 7 Circuits Version, Black Color

**Documents:**

[3D Model](#) [Product Specification PS-51241-005 \(PDF\)](#)  
[Drawing \(PDF\)](#) [RoHS Certificate of Compliance \(PDF\)](#)

**Agency Certification**

CSA LR19980  
 UL E29179

**General**

Product Family Terminal Blocks  
 Series [55759](#)  
 Application Wire-to-Board  
 Component Type PCB Header  
 Product Name MTC™  
 Type Euro Block

**Physical**

Circuits (Loaded) 7  
 Color - Resin Black, Natural  
 Entry Angle N/A  
 Flammability 94V-0  
 Lock to Mating Part Yes  
 Material - Plating Mating Tin  
 Material - Plating Termination Tin  
 Material - Resin Nylon  
 Number of Rows 1  
 Orientation Right Angle  
 PC Tail Length (in) 0.149 In  
 PC Tail Length (mm) 3.80 mm  
 PCB Thickness Recommended (in) 0.062 In  
 PCB Thickness Recommended (mm) 1.60 mm  
 Panel Mount No  
 Pitch - Mating Interface (in) 0.295 In  
 Pitch - Mating Interface (mm) 7.50 mm  
 Plating min: Mating (µin) 120  
 Plating min: Mating (µm) 3  
 Plating min: Termination (µin) 120  
 Plating min: Termination (µm) 3  
 Polarized to Mating Part Yes  
 Shrouded Closed Ends  
 Stackable No  
 Temperature Range - Operating -30°C to +85°C  
 Termination Interface: Style Through Hole  
 Wire Size AWG N/A

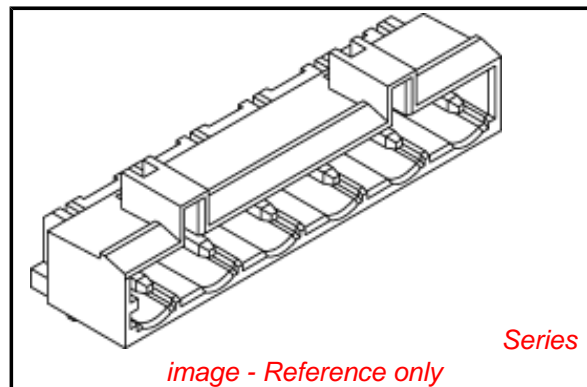
**Electrical**

Current - Maximum per Contact 16A  
 Voltage - Maximum 400V

**Material Info**

**Reference - Drawing Numbers**

Product Specification PS-51241-005, RPS-51241-007



*image - Reference only*

**EU RoHS**

**ELV and RoHS  
 Compliant**  
**REACH SVHC**  
 Not Reviewed  
**Halogen-Free  
 Status**  
 Not Reviewed

**China RoHS**



**Need more information on product  
 environmental compliance?**

Email [productcompliance@molex.com](mailto:productcompliance@molex.com)  
 For a multiple part number RoHS Certificate of  
 Compliance, [click here](#)

Please visit the [Contact Us](#) section for any  
 non-product compliance questions.

**Search Parts in this Series**

[55759Series](#)

**Mates With**

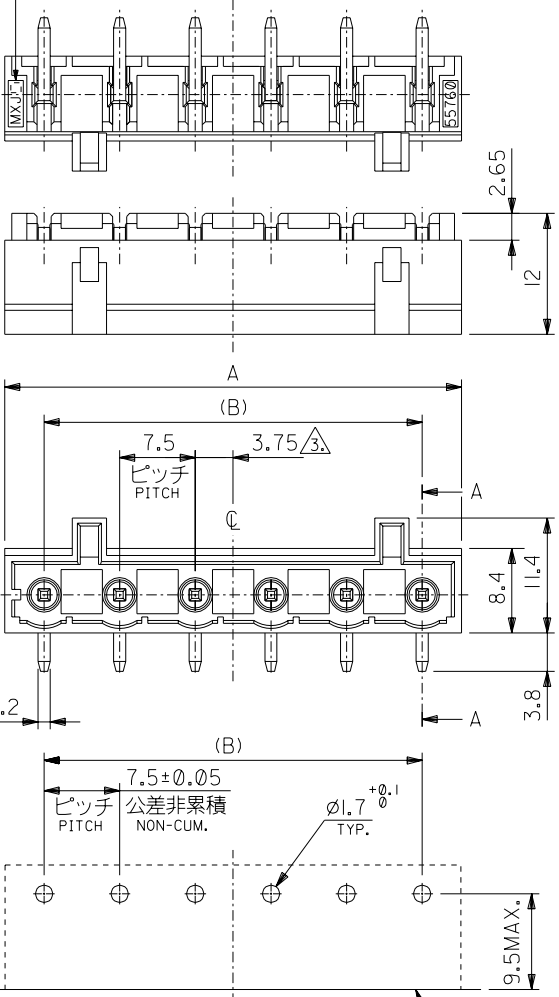
[51241](#) , [54928](#)

This document was generated on 04/27/2010

**PLEASE CHECK [WWW.MOLEX.COM](http://WWW.MOLEX.COM) FOR LATEST PART INFORMATION**

DWG. NO. SD-55759-004

トレードマーク  
TRADE MARK



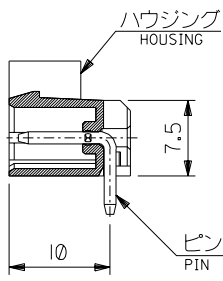
推奨基板穴寸法 (+1.6)  
RECOMMENDED PCB HOLE DIM. (+1.6)

基板端面  
EDGE OF PCB

注記  
NOTES:

- 材質  
MATERIAL  
・ハウジング  
HOUSING  
ガラス入り 66 ナイロン, UL94V-0  
66 NYRON, GLASS FILLED, UL94V-0  
色: 表参照  
COLOR: REFER TO THE CHART
- ピン  
PIN  
銅合金  
COPPER ALLOY
- メッキ仕様  
PLATING  
錫メッキ: 1.0 μm MIN.  
TIN PLATING: 1.0 MICROMETER MIN.  
ニッケルメッキ: 1.0 μm MIN. (下地メッキ)  
NICKEL PLATING: 1.0 MICROMETER MIN. (UNDER PLATING)

△3. 偶数極品に適用  
APPLIED EVEN CIRCUITS PRODUCTS.



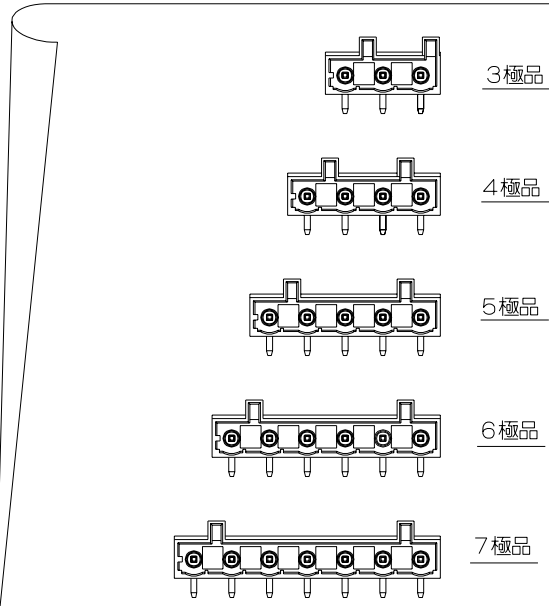
断面 A-A  
SECTION A-A

4. 適合リセプタクル  
APPLIED RECEPTACLE  
51241 SERIES  
54928 SERIES

△5. 製品番号  
MATERIAL NO.  
55759-\*\*\*7\*

アイボリー IVORY	0	色 COLOR
黒 BLACK	1	
灰 GRAY	5	

6. 本製品は 55759-\*\*\*1\* の鉛フリー品である。  
THIS PRODUCT IS LEAD FREE OF 55759-\*\*\*1\*.



45	52.8	55759-077*	7
37.5	45.3	55759-067*	6
30	37.8	55759-057*	5
22.5	30.3	55759-047*	4
15	22.8	55759-037*	3
B	A	△5. 製品番号 MATERIAL NO.	極数 CIRCUITS

DO NOT SCALE DRAWING

EC NO. DRWN: CHK: APPR:	EC NO. DRWN: CHK: APPR:	EC NO. DRWN: CHK: APPR:	EC NO. DRWN: CHK: APPR:	EC NO. DRWN: CHK: APPR:	RELEASED EC NO. J2004-3658 DRWN: Y.WADA '04/04/07 CHK: M.SASAO '04/04/07 APPR: M.SASAO '04/04/07	MATERIAL 材料	注記参照 SEE NOTES	GENERAL TOLERANCES: (UNLESS SPECIFIED) 一般公差	SCALE 2:1	MODEL NO. DESIGN UNITS THIRD ANGLE PROJECTION	55759-***7* DIMENSIONS: mm INCH mm INCH	SHT REV	REVISE ON CAD ONLY
					DESCRIPTION	FINISH 仕上げ	注記参照 SEE NOTES	10 UNDER 未滿	±0.2	DRAWN BY & DATE Y.WADA '04/04/07	TITLE: MTC (MULTI TERMINAL CONN.) 7.5mm PITCH HEADER HS'G ASS'Y -LEAD FREE-		
					WIRE RANGE 適用電線範囲			10 OVER 30 UNDER 以上 未滿	±0.25	CHECKED BY & DATE M.SASAO '04/04/07			
					INS. RANGE 被覆外径			30 OVER 以上	±0.3	APPROVED BY & DATE M.SASAO '04/04/07			
					REV			ANGLE 角度	±3°	CAD FILENAME SD-55759-004.S01	MATERIAL NO. SEE CHART	DRAWING NO. SD-55759-004	SHEET NO. 1 OF 1

THIS DRAWING CONTAINS INFORMATION THAT IS PROPRIETARY TO MOLEX INCORPORATED AND SHOULD NOT BE USED WITHOUT WRITTEN PERMISSION.