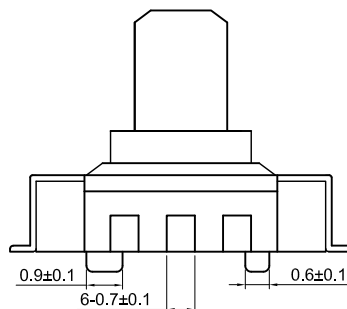
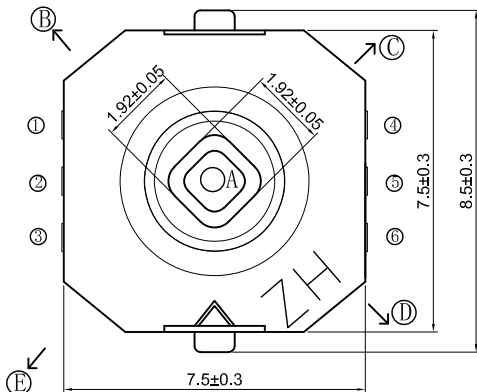


GT-TC0060-H050-L1

L1=100,000 Cycles

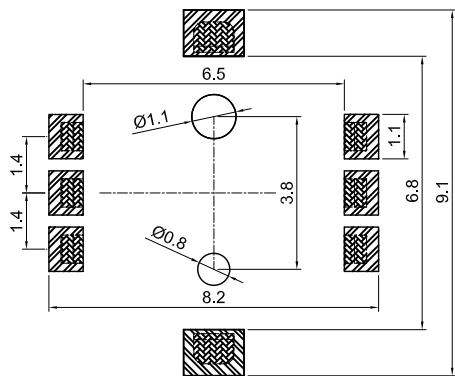
G-SWITCH G-SWITCH P/M

H=050(5.0)
H=060(6.0)



CIRCUIT DIAGRAM

①	①	②			
②		③			
③	②		④		
④		②			⑤
⑤	②				⑥



G-Switch Specification:
 Operating temperature range: -40°C to +85°C
 Rating: 50mA.12V DC
 Insulation resistance: 100MΩ min.100V DC
 Dielectric strength: 250V AC for 1 min
 Contact resistance: 100m Ω max.



G-Switch Electronic (HongKong) CO.,Ltd.

Unless otherwise specified, Tolerance:
 X. ±0.30
 X.x ±0.20
 X.xx ±0.15
 X.xxx ±0.10
 Angles ±3°

DESIGN LI QIngqi DATE 2022.06.22
 CHECKED DATE
 APPROVED DATE
<http://www.dg-switch.com>
 TEL:0769-82388879

Molde code:
 GT-TC0060-H050-L1
 REV.: X1 SCALE: 4:1 UNIT: mm
 SIZE: A4 SHEET: 1/1

