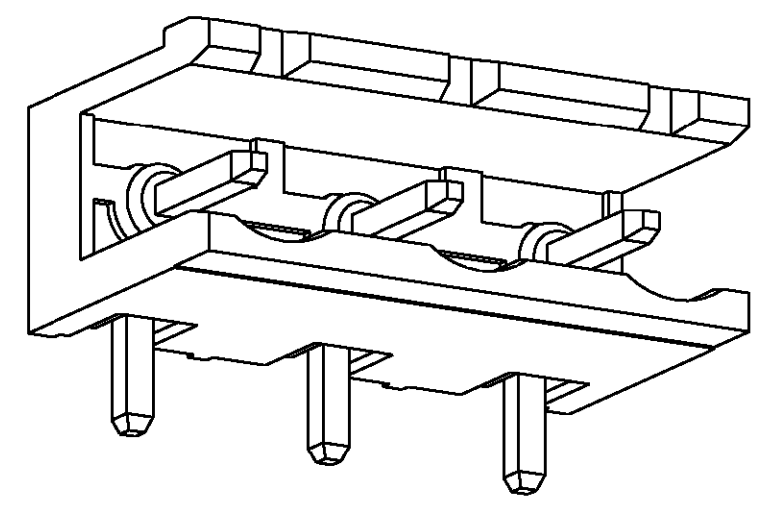
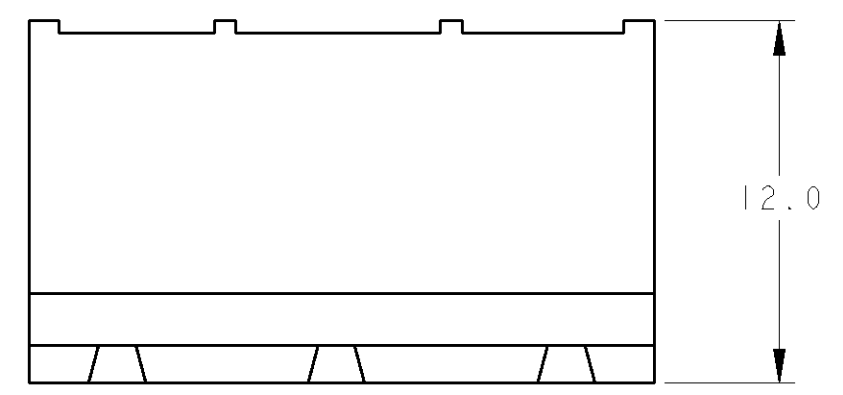


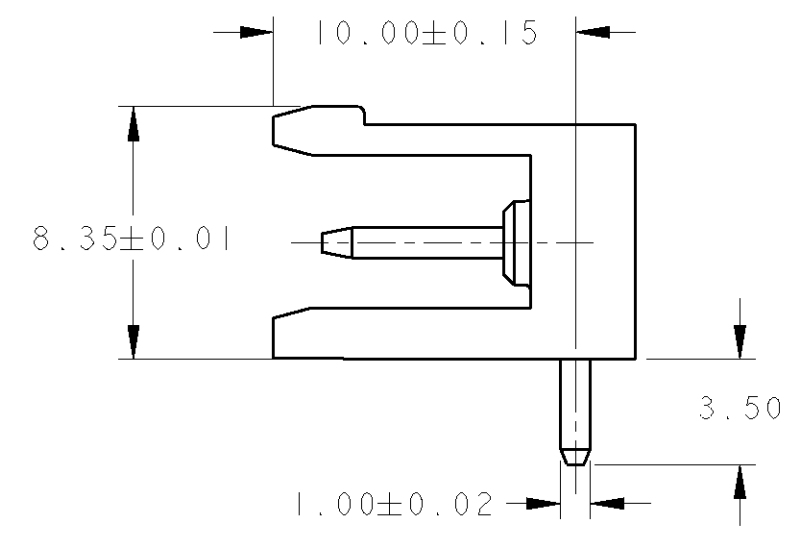
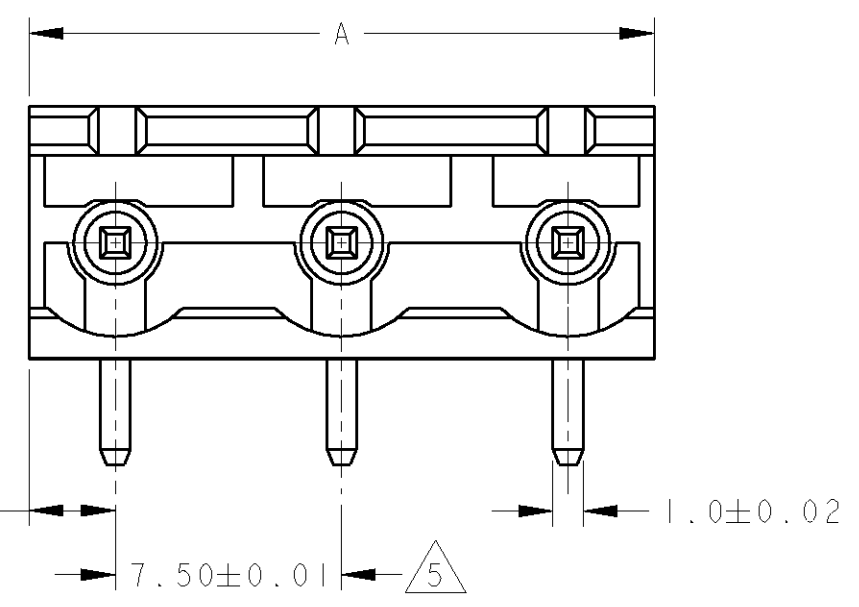
THIS DRAWING IS UNPUBLISHED. RELEASED FOR PUBLICATION 20  
 © COPYRIGHT 20 BY TYCO ELECTRONICS CORPORATION. ALL RIGHTS RESERVED.

LOC	DIST	REVISIONS			
P	LTR	DESCRIPTION	DATE	DWN	APVD
FT	0				
	C	REVISED PER 0G3B-0119-01	15NOV2001	EZ	DB

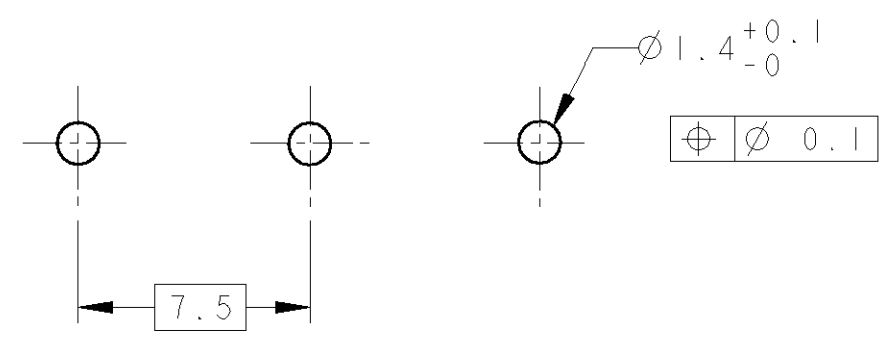


282961-3 AS SHOWN

- 1 MATERIALS AND FINISH  
HOUSING: PA 6-6, UL 94-V0, COLOR GREEN.  
TERMINAL: PHOSPHOR BRONZE, TIN PLATED.
- 2 SUITABLE FOR 1,6-2,4mm PC BOARD THICKNESS.
- 3 RECOGNIZED UNDER THE COMPONENT PROGRAM OF UNDERWRITERS LABORATORIES INC. FILE N° E60677.
- 4 IMQ CERTIFICATE WITH SURVEILLANCE IN CONFORMITY WITH IEC 998-1/998-2-1.
- 5 NOT CUMULATIVE TOLERANCE.



RECOMMENDED PC BOARD LAYOUT



DIM. A	N° OF POS.	PART NUMBER
88.20	12	1-282961-2
80.70	11	1-282961-1
73.20	10	1-282961-0
65.70	9	282961-9
58.20	8	282961-8
50.70	7	282961-7
43.20	6	282961-6
35.70	5	282961-5
28.20	4	282961-4
20.70	3	282961-3
13.20	2	282961-2

<small>THIS DRAWING IS A CONTROLLED DOCUMENT FOR TYCO ELECTRONICS CORPORATION          IT IS SUBJECT TO CHANGE AND THE CONTROLLING ENGINEERING ORGANIZATION          SHOULD BE CONTACTED FOR THE LATEST REVISION.</small>		DWN 15NOV2001 E. ZANOLINI CHK 15NOV2001 D. BIEVENOUR APVD 15NOV2001 D. BIEVENOUR	<b>BUCHANAN</b> Tyco Electronics Harrisburg, PA 17105-3608
DIMENSIONS: mm	TOLERANCES UNLESS OTHERWISE SPECIFIED: 0 PLC ±- 1 PLC ±.3 2 PLC ±.25 3 PLC ±- 4 PLC ±- ANGLES ±2	PRODUCT SPEC 108-20166 APPLICATION SPEC 114-20079 WEIGHT -	NAME TERMINAL BLOCK HEADER ASSEMBLY, 90° OPEN ENDS, 7.5mm PITCH
MATERIAL	FINISH	CUSTOMER DRAWING	RESTRICTED TO
		SIZE A3 CAGE CODE 00779 DRAWING NO C=282961	
		SCALE 4:1 SHEET 1 OF 1 REV C	