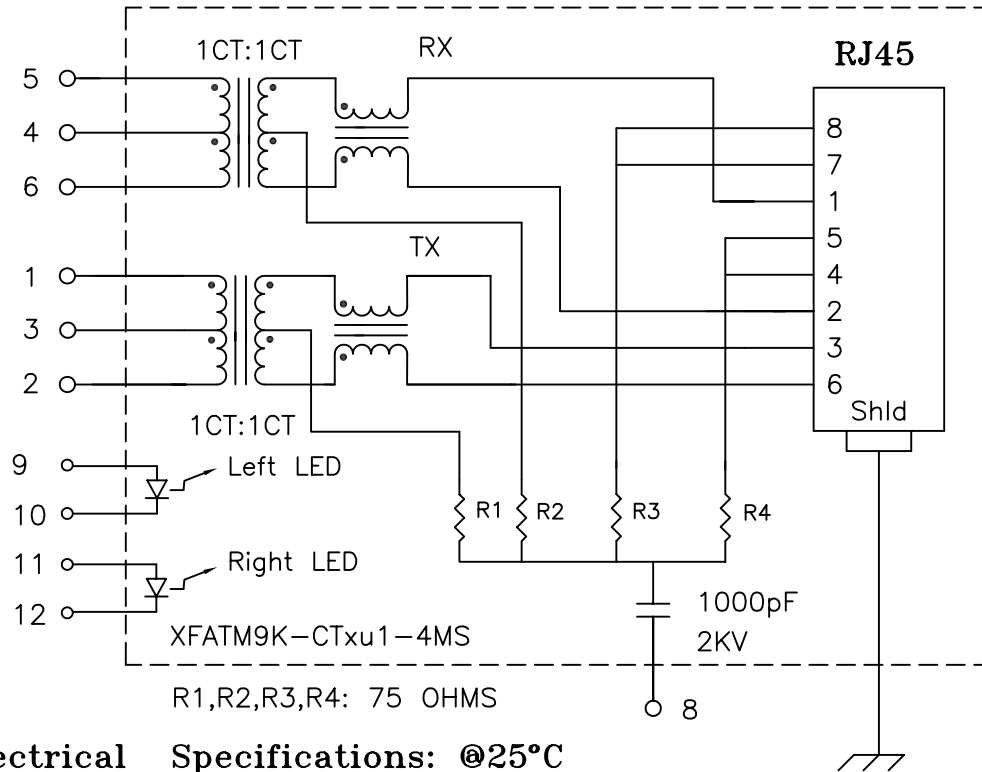


Schematic:



Electrical Specifications: @25°C

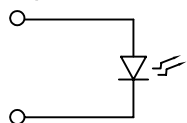
Isolation Voltage:	1500 Vrms (Input to Output)
Turns Ratio:	TX 1:1 ±3% RX 1:1 ±3%
CABLE SIDE OCL:	350uH Minimum @100KHz 100mV 8mADC
Q:	16 Min @100KHz, 0.1V
Insertion Loss (0.3MHz-100MHz):	-1.2dB Max
Return Loss:	@1MHz-30MHz -14dB Min
	@40MHz -14dB Min
	@50MHz -14dB Min
	@60MHz-100MHz -10dB Min
Crosstalk attenuation:	@30MHz -40dB Min
	@60MHz -36dB Min
	@100MHz -30dB Min
Differential to Common Mode Rejection:	@30MHz -35dB Min
	@60MHz -32dB Min
	@100MHz -30dB Min

Complete the Combo P/N as follows:

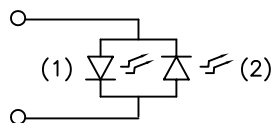
Replace 'x' & 'u' in the part number with one of the LED color letters:

Y=Yellow	'x' = Left LED Color
G=Green	'u' = Right LED Color
A=Amber	
R=Red	
C=Green(1)/Amber(2)	Bicolor
D=Amber(1)/Green(2)	Bicolor
M=Green(1)/Yellow(2)	Bicolor
N=Yellow(1)/Green(2)	Bicolor
P=Red(1)/Green(2)	Bicolor
Q=Green(1)/Red(2)	Bicolor

Single Color LED:



Bi-Color LED:



DOC. REV: A/3

Notes:

- Solderability: Leads shall meet MIL-STD-202G, Method 208H for solderability.
- Flammability: UL94V-0
- ASTM oxygen index: > 28%
- UL Recognized Component: File Number E200238
- Operating Temperature Range: All listed parameters are to be within tolerance from 0°C to +70°C
- Storage Temperature Range: -55°C to +125°C
- Aqueous wash compatible
- Electrical and mechanical specifications 100% tested
- RoHS Compliant Component

XFMRs Inc.
www.XFMRs.com

Title:

SINGLE PORT COMBO

UNLESS OTHERWISE SPECIFIED

P/N: XFATM9K-CTxu1-4MS

REV. A

TOLERANCES:

.xxx ±0.010

Dimensions in Inch

DWN.

Mei Chen

Oct-14-10

CHK.

YK Liao

Oct-14-10

APP.

BW

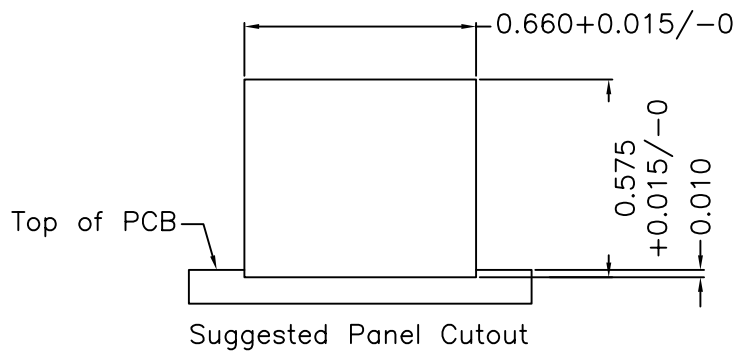
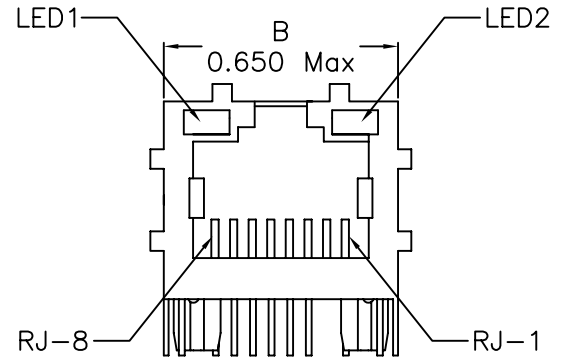
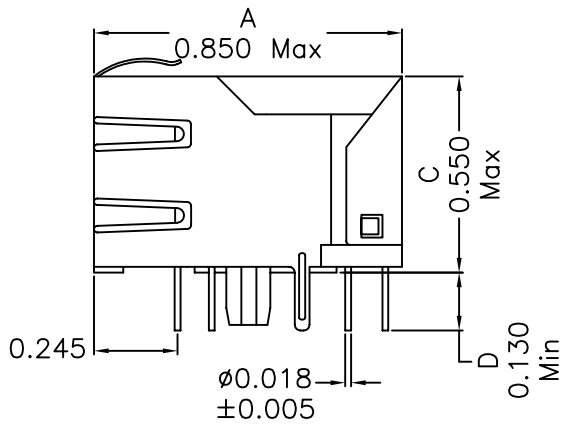
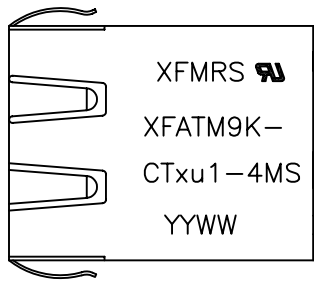
Oct-14-10

PROPRIETARY:

Document is the property of XFMRs Group & is not allowed to be duplicated without authorization.

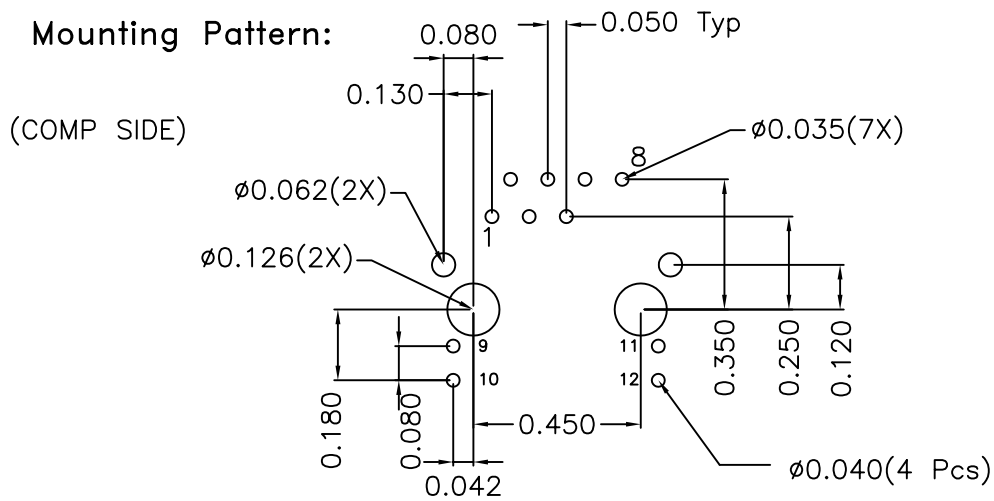
SHEET 1 OF 2

Mechanical Dimensions:



Removed Pins #7

Mounting Pattern:



DOC REV: A/3

XFMR5 Inc.
 www.XFMRS.com

Title:
 0.85" Tab-UP Single port

UNLESS OTHERWISE SPECIFIED

P/N: XFATM9K-CTxu1-4MS

REV. A

TOLERANCES:

DWN.

Mei Chen

Oct-14-10

.xxx ±0.010

CHK.

YK Liao

Oct-14-10

Dimensions in Inch

APP.

BW

Oct-14-10

SHEET 2 OF 2

PROPRIETARY:

Document is the property of XFMR5 Group & is not allowed to be duplicated without authorization.