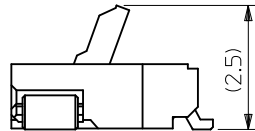
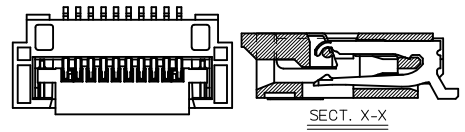
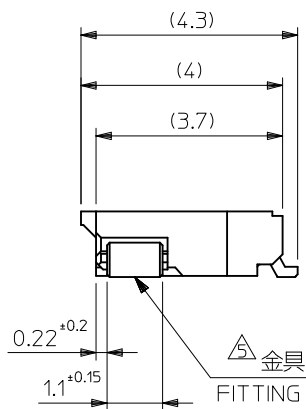


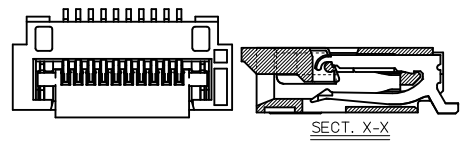
△ SECT. X-X



(アクチュエータが開いた状態)
WHEN ACTUATOR IS OPENED



-30極以上-
30 Ckt. OR MORE

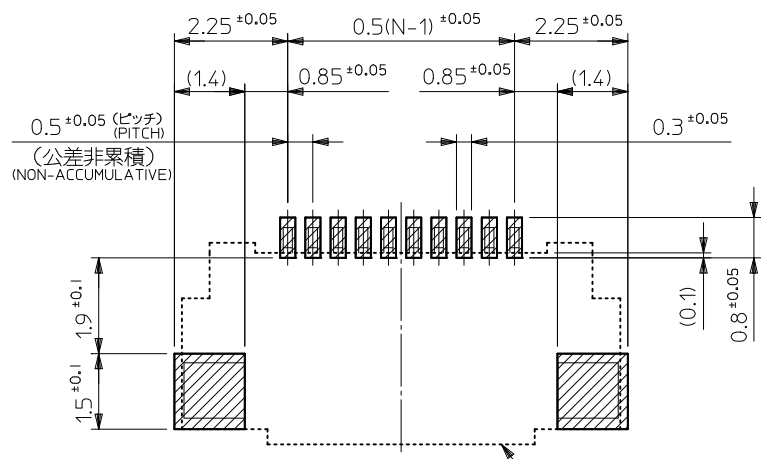


-29極以下-
29 Ckt. OR LESS

△ 外形形状
APPEARANCE FORM

30.3	30.5	32.6	29.5	33.7	51296-6094	51296-6051	60
27.3	27.5	29.6	26.5	30.7	51296-5494	51296-5451	54
25.3	25.5	27.6	24.5	28.7	51296-5094	51296-5051	50
22.8	23.0	25.1	22.0	26.2	51296-4594	51296-4551	45
20.3	20.5	22.6	19.5	23.7	51296-4094	51296-4051	40
17.3	17.5	19.6	16.5	20.7	51296-3494	51296-3451	34
9.3	9.5	11.6	8.5	12.7	51296-1894	51296-1851	18
7.3	7.5	9.6	6.5	10.7	51296-1494	51296-1451	14
6.3	6.5	8.6	5.5	9.7	51296-1294	51296-1251	12
4.3	4.5	6.6	3.5	7.7	51296-0894	51296-0851	8
E	D	C	B	A	EMBOSSED TAPE	製品番号 MATERIAL No.	極数 Ckt
					ORDER No. オーダー番号	MODEL No. 51296-***51	

REVISED EC NO: J2011-0996 DRW: KIMURAKAMI 2010/11/01 CHKD: APPR: KMORIKAWA 2011/02/15	GENERAL TOLERANCES (UNLESS SPECIFIED)		DIMENSION STYLE MM ONLY		SCALE ---	DESIGN UNITS METRIC	THIRD ANGLE PROJECTION
	10 UNDER	±0.2	DRAWN BY M.UMEDA	DATE 2005/02/22	TITLE 0.5 FPC CONN ZIF E/O HSG ASSY (HGT=1.3) -LEAD FREE-		
	10 OVER 30 UNDER	±0.25	CHECKED BY KEN.SUZUKI	DATE 2005/02/22	MOLEX INCORPORATED		
	30 OVER	±0.3	APPROVED BY N.UKITA	DATE 2005/02/22	MATERIAL NO. SEE TABLE	DOCUMENT NO. SD-51296-011	SHEET NO. 1 OF 2
ANGULAR ±1 °		DRAFT WHERE APPLICABLE MUST REMAIN WITHIN DIMENSIONS		THIS DRAWING CONTAINS INFORMATION THAT IS PROPRIETARY TO MOLEX INCORPORATED AND SHOULD NOT BE USED WITHOUT WRITTEN PERMISSION			

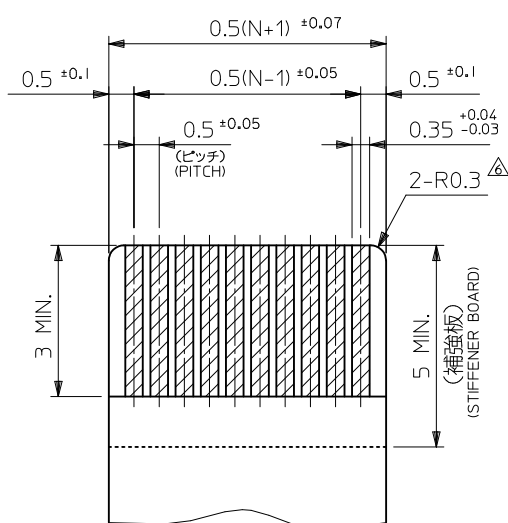


参考基板レイアウト
P.C. BOARD PATTERN
DIMENSION (REF.)
(マウント面)
(MOUNTING SIDE)

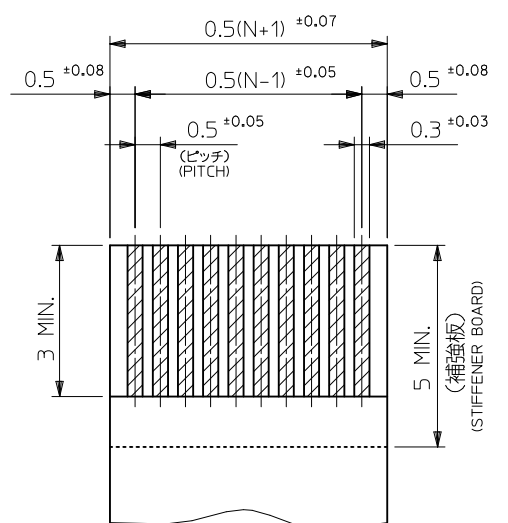
注記 NOTES

1. 使用材料 MATERIAL
- ハウジング : 液晶ポリマー ガラス充填, UL94V-0 (ベージュ)
HOUSING : LIQUID CRYSTAL POLYMER GLASS FILLED, UL94V-0 (BEIGE)
 - アクチュエータ : ポリアミド 9T ガラス充填, UL94V-0 (黒)
ACTUATOR : POLYAMIDE 9T GLASS FILLED, UL94V-0 (BLACK)
 - ターミナル : リン青銅 (t=0.18)
TERMINAL : PHOSPOR BRONZE
 - 金具 : リン青銅 (t=0.15)
FITTING NAIL : PHOSPOR BRONZE
2. メッキ仕様 PLATING
- ターミナル TERMINAL
 - コンタクト部 : 金メッキ 0.1マイクロメートル以上
CONTACT AREA : GOLD 0.1 MICROMETER MINIMUM
 - テール部 : 金メッキ 0.05マイクロメートル以上
TAIL AREA : GOLD 0.05 MICROMETER MINIMUM
 - 下地メッキ : ニッケルメッキ 1.0マイクロメートル以上
UNDER PLATING : NICKEL 1.0 MICROMETER MINIMUM
- 金具 FITTING NAIL
- 錫メッキ 1.0マイクロメートル以上
TIN 1.0 MICROMETER MINIMUM
 - 下地メッキ : ニッケルメッキ 1.0マイクロメートル以上
UNDER PLATING : NICKEL 1.0 MICROMETER MINIMUM

3. エンボステープ梱包時は、アクチュエータが閉じた状態とする。
IN THE PACKAGE, ACTUATOR OF PART NO.51296-**51 SHOULD BE CLOSED.
- △ 偶数極に適用。
APPLY FOR EVEN CIRCUIT.
 - △ /パターンはくり止め用金具
FITTING NAIL FOR PREVENTION OF PEELING OF PCB PATTERN.
 - △ R0.3は、FPC導体部にかからないこと。
R0.3 MUST NOT BE OVERLAPPED TO PATTERN OF FPC.
 - △ 極数によりハウジング形状が異なるので注意のこと。
THE HOUSING SHAPE IS DIFFERENT ACCORDING TO THE CIRCUIT.



適合FPC推奨寸法
APPLICABLE FPC
RECOMMENDED DIMENSION
(仕上がり厚さ: 0.3 ± 0.05)
(THICKNESS: 0.3 ± 0.05)



適合FFC推奨寸法
APPLICABLE FFC
RECOMMENDED DIMENSION
(仕上がり厚さ: 0.3 ± 0.05)
(THICKNESS: 0.3 ± 0.05)

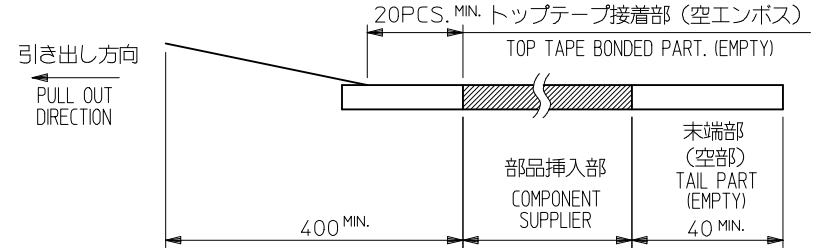
FPC/FFCについて:

- 打抜き方向は導体側から補強板側を推奨いたします。
導体部については軟銅箔35マイクロメートルまたは50マイクロメートルを推奨致します。
- ABOUT FPC/FFC
RECOMMENDED PUNCHER DIRECTION : FROM CONDUCTOR SIDE TO STIFFENER FILM SIDE.
RECOMMENDED CONDUCTOR SPEC :
THICKNESS OF SOFT COPPER FOIL : 35 MICROMETER OR 50 MICROMETER
- FPCについて:
補強フィルム材質はポリイミドを推奨します。
接着剤は熱硬化接着剤を推奨します。
- ABOUT FPC
RECOMMENDED MATERIAL :
STIFFENER FILM : POLYIMIDE
BONDING AGENT : THERMOSETTING BONDING AGENT

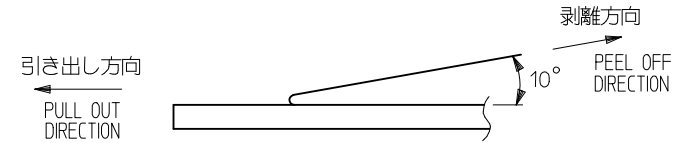
REVISED EC NO: J2011-0996 DRWN: KIMURAKAMI 2010/11/01 CHKD: APPR: KMORIKAWA 2011/02/15	GENERAL TOLERANCES (UNLESS SPECIFIED)		DIMENSION STYLE MM ONLY	SCALE ---	51296-**51 DESIGN UNITS METRIC	MODEL No. THIRD ANGLE PROJECTION
	10 UNDER	± 0.2	DRAWN BY M.UMEDA	DATE 2005/02/22	TITLE 0.5 FPC CONN ZIF E/O HSG ASSY (HGT=1.3) -LEAD FREE-	
	10 OVER 30 UNDER	± 0.25	CHECKED BY KEN.SUZUKI	DATE 2005/02/22	MOLEX INCORPORATED	
	30 OVER	± 0.3	APPROVED BY N.UKITA	DATE 2005/02/22	MATERIAL NO. SEE TABLE	DOCUMENT NO. SD-51296-011
	ANGULAR ± 1 °	DRAFT WHERE APPLICABLE MUST REMAIN WITHIN DIMENSIONS		THIS DRAWING CONTAINS INFORMATION THAT IS PROPRIETARY TO MOLEX INCORPORATED AND SHOULD NOT BE USED WITHOUT WRITTEN PERMISSION		

NOTES

- 製品詳細寸法は製品単体図面を参照して下さい。
FOR DETAIL OF CONNECTOR DIMENSIONS, PLEASE SEE THE DRAWING OF CONNECTOR ITSELF (NOT PACKAGED).
- 梱包数量：3000個/リール
NUMBER OF CONNECTORS : 3000PCS/REEL
- リードテープ長さ LEAD TAPE LENGTH

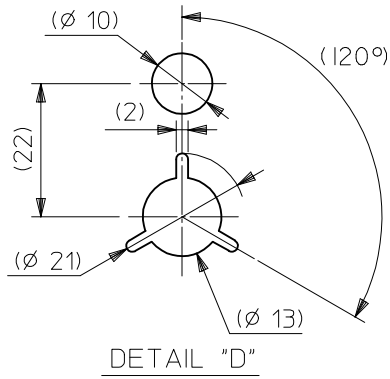
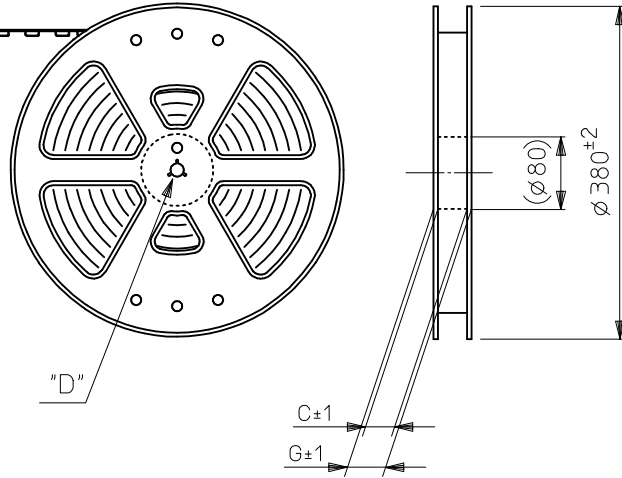


- トップテープの剥離強度：0.1N～1.3N(10gf～130gf)
(剥離方向は下図参照)
尚、本規格値は出荷時に適用。(但し、輸送時に剥離が発生しないこと。)
PEELING OFF FORCE OF TOP TAPE : 0.1N～1.3N(10gf～130gf)
(PEELING DIRECTION AS SHOWN IN FOLLOWING FIG.)
THIS REQUIREMENT SHOULD BE APPLIED AT SHIPMENT.
PEEL OFF SHOULD NOT BE ALLOWED , DURING TRANSPORTATION.



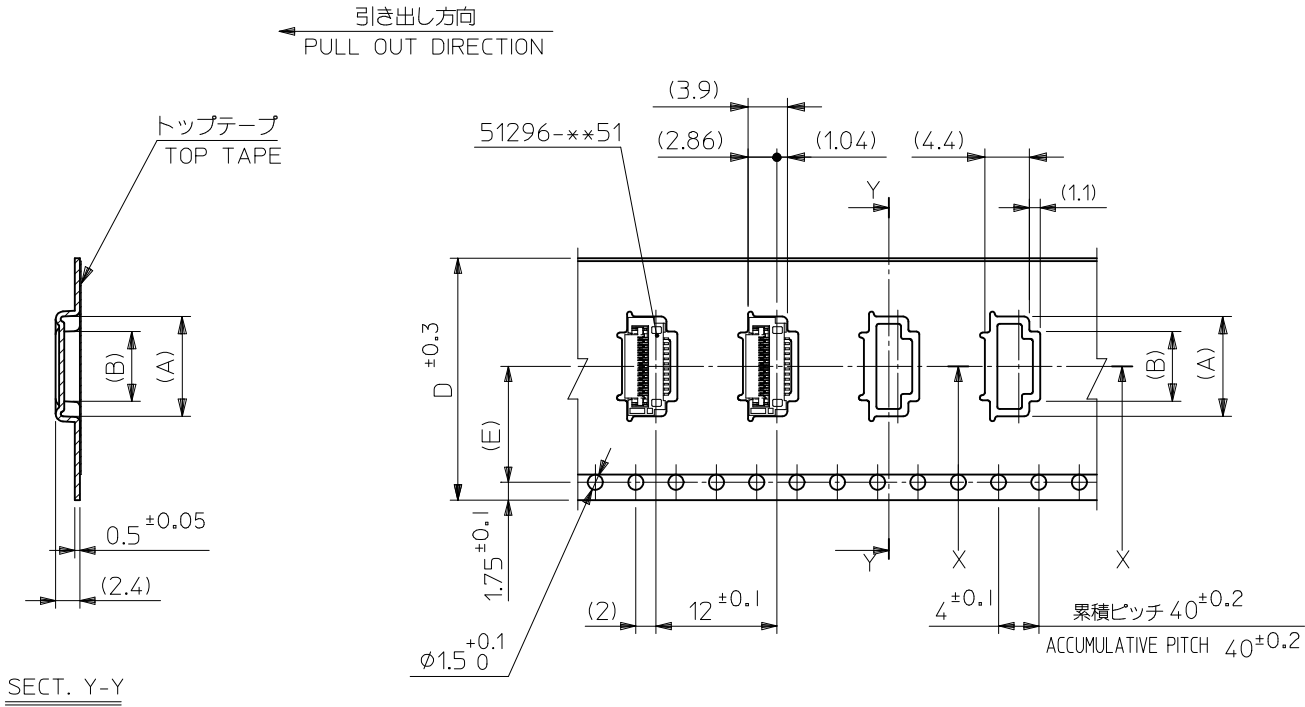
- 材料(MATERIAL)
キャリアテープ (CARRIER TAPE) :ポリプロピレン (POLYPROPYLENE)
トップテープ (TOPTAPE) : PET, PE, PEF
リール (REEL): ポリスチレン (PS) <リサイクル材を含む>
POLYSTYRENE (PS) <RECYCLE MATERIAL CONTAINED>

引き出し方向
PULL OUT DIRECTION



DETAIL "D"

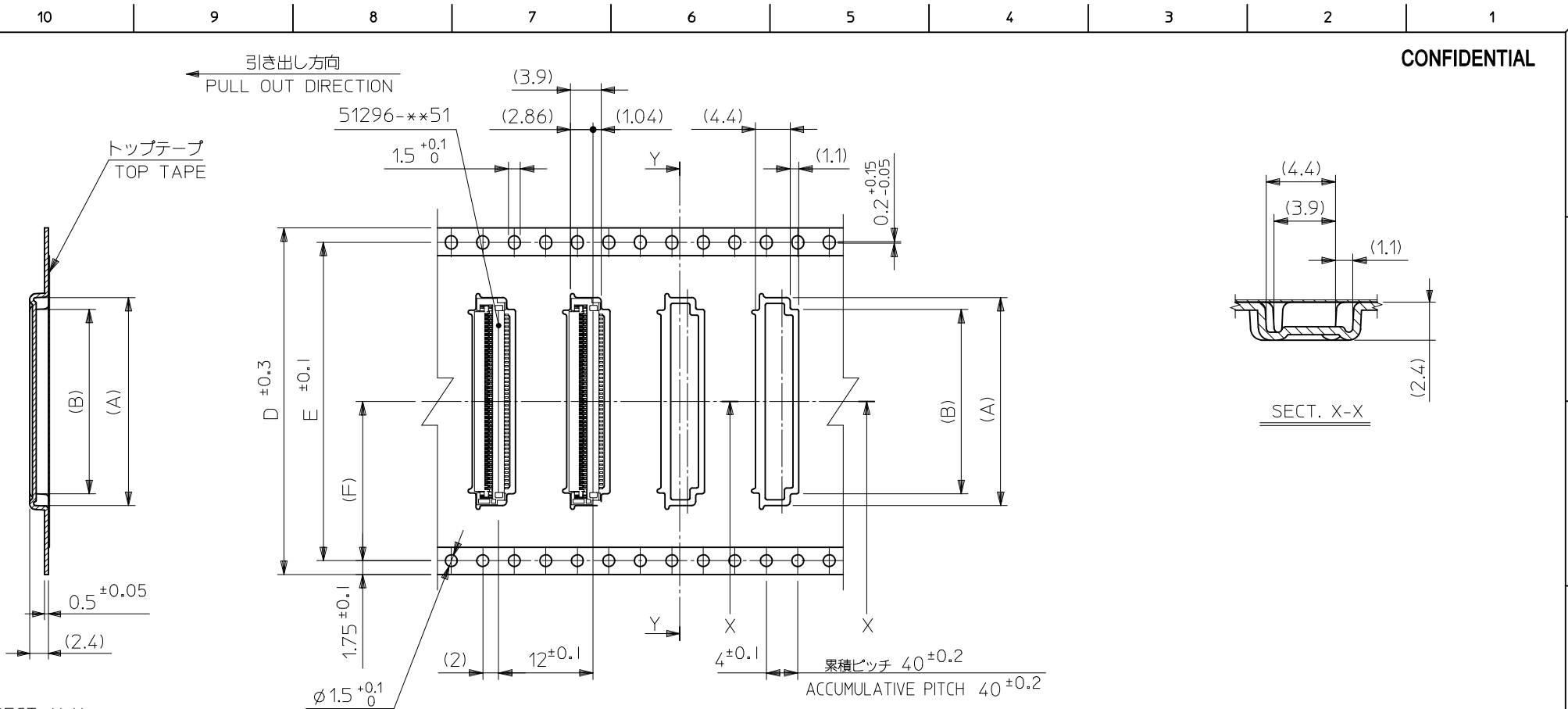
REVISED EC NO.: J2009-0892 DRWN: TAKAHASHI 103 2008/10/14 CHKD: THARUYAMA 2008/10/14 APPR: NUKITA 2008/10/14	GENERAL TOLERANCES (UNLESS SPECIFIED)		DIMENSION STYLE MM ONLY	SCALE ---	51296-**-94	MODEL NO.
	10 UNDER	± 0.2	DRAWN BY M.UMEDA	DATE 2005/02/23	DESIGN UNITS METRIC	THIRD ANGLE PROJECTION
	10 OVER 30 UNDER	± 0.25	CHECKED BY KEN.SUZUKI	DATE 2005/02/23	0.5 FPC CONN EASY ON HGT=1.3MM EMBSTP PKG	
	30 OVER	± 0.3	APPROVED BY N. UKITA	DATE 2005/02/23	MOLEX INCORPORATED	
REV	DESCRIPTION	ANGULAR $\pm 1^\circ$	MATERIAL NO. SEE CHART	DOCUMENT NO. SD-51296-012	SHEET NO. 1 OF 3	
		DRAFT WHERE APPLICABLE MUST REMAIN WITHIN DIMENSIONS	THIS DRAWING CONTAINS INFORMATION THAT IS PROPRIETARY TO MOLEX INCORPORATED AND SHOULD NOT BE USED WITHOUT WRITTEN PERMISSION			



11.5	24	25.4	9.89	12.9	51296-1894	18
			7.89	10.9	51296-1494	14
			6.89	9.9	51296-1294	12
7.5	16	17.4	4.89	7.9	51296-0894	8
(E)	D	C	(B)	(A)	製品番号 MATERIAL No	極数 Ckt

REVISED EC NO: J2009-0892 DRWN: TAKAHASHI 10/14 CHKD: THARUYAMA 2008/10/14 APPR: NUKITA 2008/10/14	GENERAL TOLERANCES (UNLESS SPECIFIED)		DIMENSION STYLE MM ONLY		SCALE ---	DESIGN UNITS METRIC	MODEL NO. 51296-**-94
	10 UNDER	±0.2	DRAWN BY M.UMEDA	DATE 2005/02/23	TITLE 0.5 FPC CONN EASY ON HGT=1.3MM EMBSTP PKG		
	10 OVER 30 UNDER	±0.25	CHECKED BY KEN.SUZUKI	DATE 2005/02/23	MATERIAL NO. SEE CHART		
	30 OVER	±0.3	APPROVED BY N. UKITA	DATE 2005/02/23	DOCUMENT NO. SD-51296-012		
	ANGULAR ±1 °	DRAFT WHERE APPLICABLE MUST REMAIN WITHIN DIMENSIONS		SHEET NO. 2 OF 3		THIRD ANGLE PROJECTION	

CONFIDENTIAL



SECT. Y-Y

SECT. X-X

61.4	26.2	52.4	56	57.4	30.89	33.9	51296-6094	60
					27.89	30.9	51296-5494	54
49.4	20.2	40.4	44	45.4	25.89	28.9	51296-5094	50
					23.39	26.4	51296-4594	45
					20.89	23.9	51296-4094	40
37.4	14.2	28.4	32	33.4	17.89	20.9	51296-3494	34
G	(F)	E	D	C	(B)	(A)	製品番号 MATERIAL No	極数 Ckt

REVISED EC NO: J2009-0892 DRWN:MTAKASHI 03/2008/10/14 CHK'D:THARUYAMA 2008/10/14 APPR:NUKITA 2008/10/14	GENERAL TOLERANCES (UNLESS SPECIFIED)		DIMENSION STYLE MM ONLY		SCALE --- DESIGN UNITS METRIC		51296-**-94 MODEL NO.	
	10 UNDER	±0.2	DRAWN BY M.UMEDA		DATE 2005/02/23		TITLE 0.5 FPC CONN EASY ON HGT=1.3MM EMBSTP PKG	
	10 OVER 30 UNDER	±0.25	CHECKED BY KEN.SUZUKI		DATE 2005/02/23		MOLEX INCORPORATED	
	30 OVER	±0.3	APPROVED BY N. UKITA		DATE 2005/02/23		DOCUMENT NO. SD-51296-012	
	ANGULAR ±1°	DRAFT WHERE APPLICABLE MUST REMAIN WITHIN DIMENSIONS		MATERIAL NO. SEE CHART		SHEET NO. 3 OF 3		
		THIS DRAWING CONTAINS INFORMATION THAT IS PROPRIETARY TO MOLEX INCORPORATED AND SHOULD NOT BE USED WITHOUT WRITTEN PERMISSION						