

## Round Type LED lamp

BL-L312

### ■ Features:

- 3mm Round Type LED Lamps.
- Ultra brightness.
- Choice of various viewing angles.
- Diffused, Transparent and Water clear lens
- IC compatible /Low current capability.
- RoHs Compliance



### ■ Electrical-optical characteristics: (Ta=25°C) (Test Condition: IF=20mA)

| Part Number | Chip               |            |                  | Lens Type | Forward Voltage(VF)<br>Unit:V |        | Luminous Intensity (lv)<br>Unit:mcd |      | Viewing Angle<br>201/2(deg) |
|-------------|--------------------|------------|------------------|-----------|-------------------------------|--------|-------------------------------------|------|-----------------------------|
|             | Emitted Color      | Material   | $\lambda_p$ (nm) |           | Typ                           | Max    | Min.                                | Typ. |                             |
|             |                    |            |                  |           | BL-L312SRC                    | Hi Red | AlGaAs,SH                           | 660  |                             |
| BL-L312LRC  | Super Red          | AlGaAs,DH  | 660              | 1.85      | 2.20                          | 200    | 500                                 |      |                             |
| BL-L312URC  | Ultra Red          | AlGaAs,DDH | 660              | 1.95      | 2.20                          | 500    | 900                                 |      |                             |
| BL-L312UEC  | Ultra Orange       | AlGaInP    | 630              | 2.10      | 2.50                          | 900    | 1800                                |      |                             |
| BL-L312UYC  | Ultra Yellow       | AlGaInP    | 590              | 2.10      | 2.50                          | 900    | 2000                                |      |                             |
| BL-L312UGC  | Ultra Green        | AlGaInP    | 574              | 2.20      | 2.50                          | 220    | 600                                 |      |                             |
| BL-L312PGC  | Ultra Pure Green   | InGaN      | 525              | 3.80      | 4.50                          | 1200   | 3000                                |      |                             |
| BL-L312BGC  | Ultra Bluish Green | InGaN      | 505              | 3.80      | 4.50                          | 900    | 2800                                |      |                             |
| BL-L312BC   | Blue               | InGaN      | 430              | 3.80      | 4.50                          | 400    | 900                                 |      |                             |
| BL-L312UBC  | Ultra Blue         | InGaN      | 470              | 2.70      | 4.20                          | 500    | 1400                                |      |                             |
| BL-L312VC   | UV                 | InGaN      | 405              | 3.80      | 4.50                          | 100    | 150                                 |      |                             |
| BL-L312UWC  | Ultra White        | InGaN      | /                | 2.70      | 4.20                          | 900    | 2000                                |      |                             |

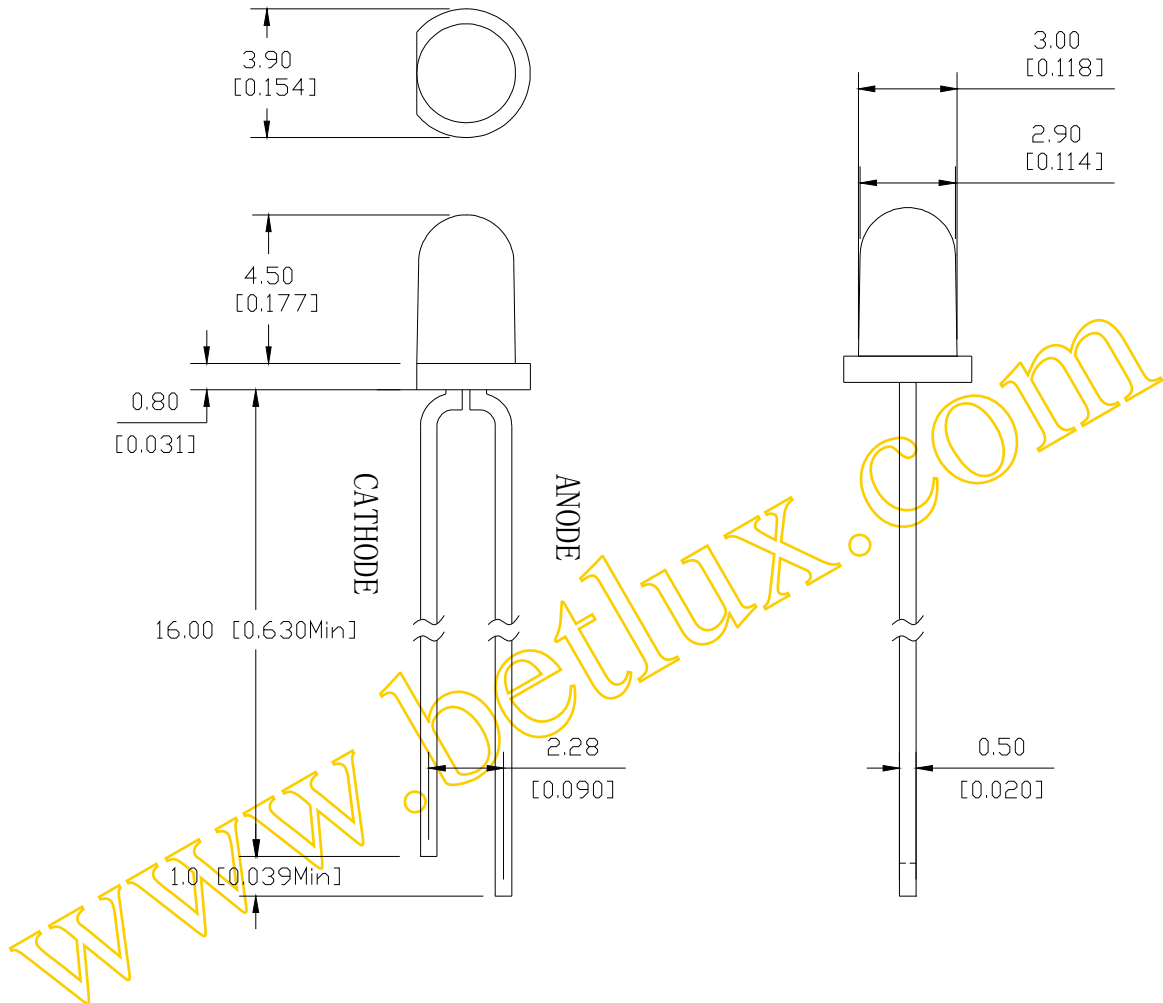
### ■ Absolute maximum ratings (Ta=25°C)

| Parameter  | SR  | LR  | UR  | UE  | UY  | UG  | PG  | BG  | B   | UB  | UV  | W   | Unit |
|--|---|-----|-----|-----|-----|-----|-----|-----|-----|-----|-----|-----|------|
| Forward Current $I_F$                              | 25  | 25  | 25  | 30  | 30  | 30  | 30  | 30  | 30  | 30  | 30  | 30  | mA   |
| Power Dissipation $P_d$                            | 60  | 60  | 60  | 65  | 65  | 75  | 110 | 110 | 120 | 120 | 120 | 120 | mW   |
| Reverse Voltage $V_R$                              | 5   | 5   | 5   | 5   | 5   | 5   | 5   | 5   | 5   | 5   | 5   | 5   | V    |
| Peak Forward Current $I_{PF}$<br>(Duty 1/10 @1KHZ) | 150   | 150 | 150 | 150 | 150 | 150 | 150 | 100 | 100 | 100 | 100 | 100 | mA   |
| Operation Temperature $T_{OPR}$                    | -40 to +80  |     |     |     |     |     |     |     |     |     |     |     | °C   |
| Storage Temperature $T_{STG}$                      | -40 to +85  |     |     |     |     |     |     |     |     |     |     |     | °C   |
| Lead Soldering Temperature<br>TSOL                 | Max.260±5°C for 3 sec Max.<br>(1.6mm from the base of the epoxy bulb) |     |     |     |     |     |     |     |     |     |     |     | °C   |

## Round Type LED lamp

BL-L312

### ■ Package configuration & Internal circuit diagram



#### Notes:

1. All dimensions are in millimeters (inches)
2. Tolerance is  $\pm 0.25(0.01)$  unless otherwise noted.
3. Specifications are subject to change without notice.

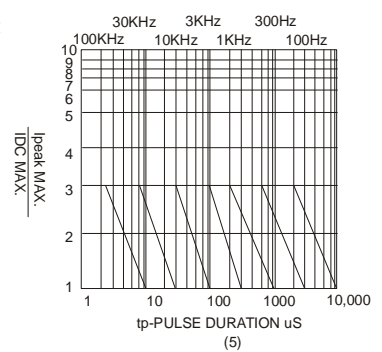
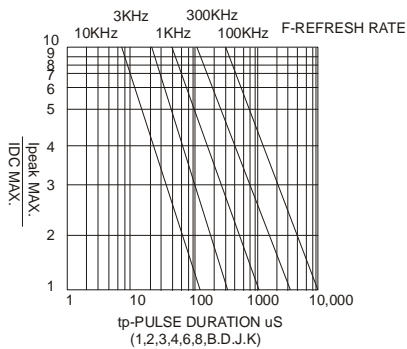
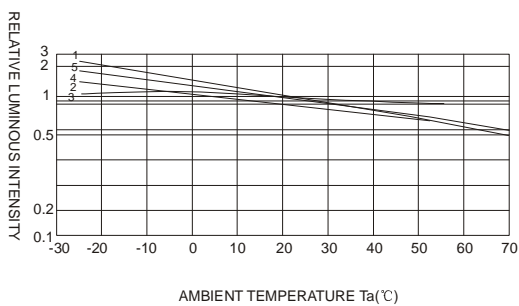
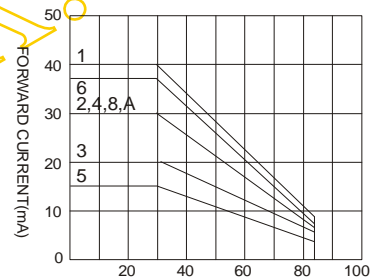
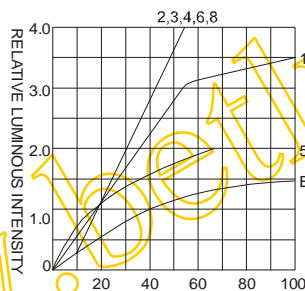
## Round Type LED lamp

BL-L312

### Typical electrical-optical characteristics curves:



- |   |                                      |
|---|--------------------------------------|
| (1) - GaAsP/GaAs 655nm/Red                | (9) - GaAlAs 880nm                   |
| (2) - GaP 570nm/Yellow Green              | (10) - GaAs/GaAs & GaAlAs/GaAs 940nm |
| (3) - GaAsP/GaP 585nm/Yellow              | (A) - GaN/SiC 430nm/Blue             |
| (4) - GaAsP/GaP 635nm/Orange & Hi-Eff Red | (B) - InGaN/SiC 470nm/Blue           |
| (5) - GaP 700nm/Bright Red                | (C) - InGaN/SiC 505nm/Ultra Green    |
| (6) - GaAlAs/GaAs 660nm/Super Red         | (D) - InGaN/SiC 525nm/Ultra Green    |
| (8) - GaAsP/GaP 610nm/Super Red           |                                      |



NOTE:25°C free air temperature unless otherwise specified