



- DIN RAIL SWITCHING POWER SUPPLY
- UNIVERSAL INPUT RANGE 90...264 VAC, 47...63HZ OR 120...370VDC
- ULTRA COMPACT SIZE
- 3000 VAC INPUT-OUTPUT ISOLATION
- REGULATED OUTPUT
- 250W WITH 18CFM FAN
- EFFICIENCY UP TO 80%
- PFC FUNCTION

### ELECTRICAL SPECIFICATIONS

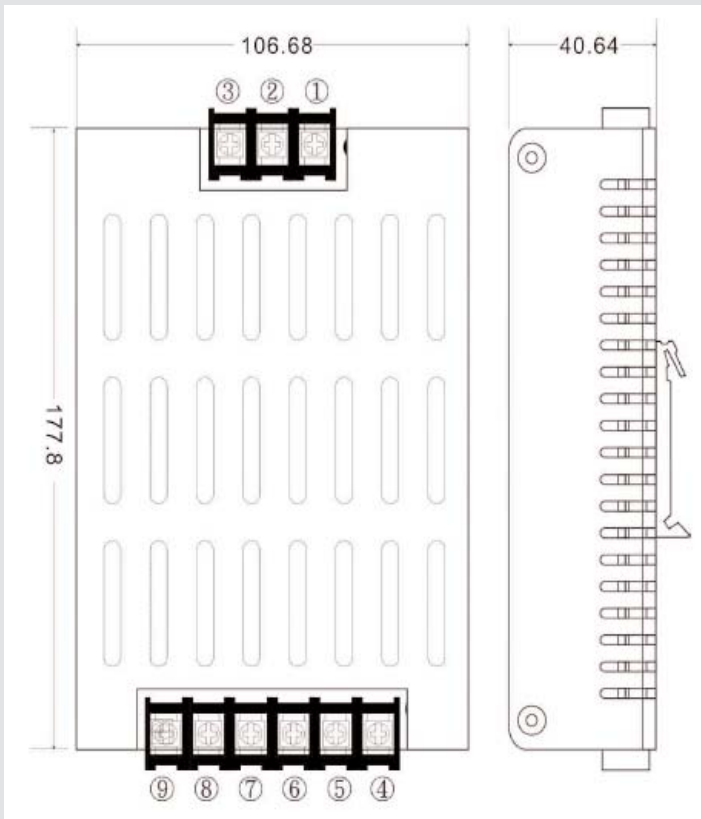
All specifications valid at nominal Input voltage, full load and +25°C after warm-up time unless otherwise stated.

| Model No. (Single Output)        |                                     | AMED250-3.3SZ   | AMED250-5SZ | AMED250-12SZ | AMED250-15SZ | AMED250-24SZ | AMED250-48SZ |  |
|----------------------------------|-------------------------------------|---|-------------|--------------|--------------|--------------|--------------|--|
| Max. Output Wattage (18CFM Fan)  |                                     | 132W  | 200W        | 250W         | 250W         | 250W         | 250W         |  |
| Max. Output Wattage (Convection) |                                     | 80W   | 120W        | 162W         | 162W         | 162W         | 162W         |  |
| Input                            | Voltage                             | 90-260 VAC or 120-370 VDC   |             |              |              |              |              |  |
|                                  | Frequency (Hz)                      | 47-63 Hz  |             |              |              |              |              |  |
|                                  | Current (Full Load)                 | 4A Max. (115VAC) / 2A Max. (230VAC)                               |             |              |              |              |              |  |
|                                  | Inrush Current (<2ms)               | 40A Max. (115VAC) / 80A Max. (230VAC)                             |             |              |              |              |              |  |
|                                  | Leakage Current                     | 3.5mA max.  |             |              |              |              |              |  |
|                                  | Power Factor                        | PF>0.97 (115VAC) / PF>0.93 (230 VAC) at Full Load                 |             |              |              |              |              |  |
| Output                           | Voltage (VDC)                       | 3.3V  | 5V          | 12V          | 15V          | 24V          | 48V          |  |
|                                  | Voltage Accuracy                    | ±2%   |             |              |              |              |              |  |
|                                  | Max. Current (18CFM Fan)            | 40A   | 40A         | 20.83A       | 16.66A       | 10.4A        | 5.2A         |  |
|                                  | Max. Current (Convection)           | 24.24A  | 24A         | 13.5A        | 10.8A        | 6.75         | 3.375A       |  |
|                                  | Line Regulation (LL-HL) (typ.)      | ±1%   |             |              |              |              |              |  |
|                                  | Load Regulation (5-100%) (typ.)     | ±1%   |             |              |              |              |              |  |
|                                  | Minimum Load                        | 0%  |             |              |              |              |              |  |
|                                  | Maximum Capacitive Load             | 470-23,000µF Depending on model.                                  |             |              |              |              |              |  |
|                                  | Ripple & Noise                      | 100mV max.  |             |              | 1% max.      |              |              |  |
|                                  | Efficiency                          | 69%   | 75%         | 80%          | 80%          | 80%          | 80%          |  |
|                                  | Hold-up Time                        | 18ms min.   |             |              |              |              |              |  |
| Protection                       | Over Power Protection               | Auto Recovery   |             |              |              |              |              |  |
|                                  | Over Voltage Protection             | Zener diode clamp   |             |              |              |              |              |  |
|                                  | Short Circuit Protection            | Auto Recovery   |             |              |              |              |              |  |
| Isolation                        | Input-Output (VAC)                  | 3000V   |             |              |              |              |              |  |
|                                  | Input-FG (VAC)                      | 1500V   |             |              |              |              |              |  |
|                                  | Output-FG (VAC)                     | 500V  |             |              |              |              |              |  |
| Environment                      | Operating Temperature (Conv)        | -25°C ... +70°C (with derating)                                   |             |              |              |              |              |  |
|                                  | Storage Temperature                 | -40°C ... +85°C   |             |              |              |              |              |  |
|                                  | Temperature Coefficient             | 0.02% / °C (0~50°C)   |             |              |              |              |              |  |
|                                  | Humidity                            | 95% RH  |             |              |              |              |              |  |
|                                  | MTBF                                | > 50,000 hrs @ 25°C (MIL-HDBK-217F)                               |             |              |              |              |              |  |
| Physical                         | Dimensions (LxWxH)                  | 7 x 4.2 x 1.6 Inches (177.8 x 106.68 x 40.64 mm) Tolerance ±0.5mm |             |              |              |              |              |  |
|                                  | Weight                              | 842g  |             |              |              |              |              |  |
|                                  | Cooling Method                      | Free Air Convection / 18CFM Forced Air                            |             |              |              |              |              |  |
| EMC                              | EMI (Conducted & Radiated Emission) | EN55022 Class B   |             |              |              |              |              |  |
|                                  | EMS (Noise Immunity)                | EN55024   |             |              |              |              |              |  |

Specifications are subject to change without notification.

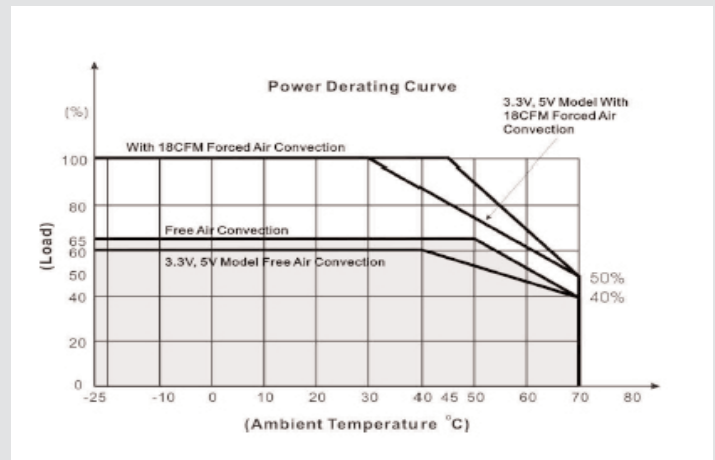
## OUTLINE DIMENSIONS & PIN CONNECTIONS

### MECHANICAL DIMENSION (Top View)

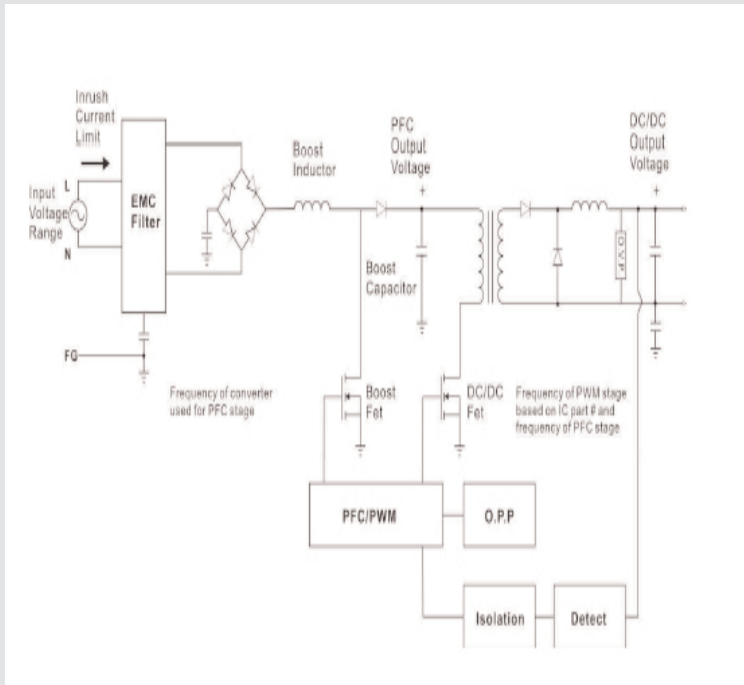


| Pin | Single     |
|-----|------------|
| 1   | FG         |
| 2   | AC IN (N)  |
| 3   | AC IN (L)  |
| 4   | +DC Output |
| 5   | +DC Output |
| 6   | +DC Output |
| 7   | -DC Output |
| 8   | -DC Output |
| 9   | -DC Output |

### DERATING



### BLOCK DIAGRAM SINGLE OUTPUT VOLTAGE



### STATIC CHARACTERISTICS

