



SPECIFICATIONS

Enclosure	: Hermetically sealed : back filled with Nitrogen.
Contact Arrangement	: 2 form C
Contact Material	: Bifurcated Gold Flashed Contacts
Contact Rating	
Rated Voltage	: 28 VDC / 115V AC
Max. Switching Current	: 2 Amps (res)
At 28VDC/115VAC	: 1 Amps (Ind)
Contact Resistance	: 50milli Ohms (Initial) 100milli Ohms (after life)
Coil Dissipation	
at 125 ^o C	: 1 Watt
at 25 ^o C	: 1.5 Watts
Sensitivity	: 300milli Watts
Life Expectancy	
Electrical	: 5 ⁵ operations at rated load
Mechanical	: 5 x 10 ⁵ operations
Dielectric strength at the sea level	
Between terminals and case:	1000 VRMS
Between open contacts	: 500 VRMS
Between coil and ground	: 500 VRMS
Insulation Resistance	: 1000 M Ohms at 25 ^o C
Operate time	: 6m.sec. Max.
Release time	: 6m.sec. Max.
Contact bounce	: 2m.sec. Max
Ambient Temperature	: -65 ^o C to + 125 ^o C
Damp heat	: H13 JSS 50101 classification
Acceleration (steady state)	: A10 : 170m/sec ²
Impact (shock)	: S14 : 1 Km/sec ²
Vibration	: V13 : 10-2000 Hz.
Salt spray	: 48 hours minimum.
Standard finish	: Epoxy finish, fungus resistant.
Terminals	: Solder hook or printed circuit/plug in (matching socket available)
Weight	: 17gms Max

* Low level switching must be specified to assure maximum reliability

Do NOT ground the relay can for AC switching

Typical applications

Military & Commercial Applications - Air Craft and Missile Controls , System, Communication and other high - grade electronic circuitry

All dimensions are in mm. Specifications subject to change without notice. Tolerance unless otherwise specified is ± 10%

O/E/N 30

HERMETICALLY SEALED CRYSTAL CAN RELAY

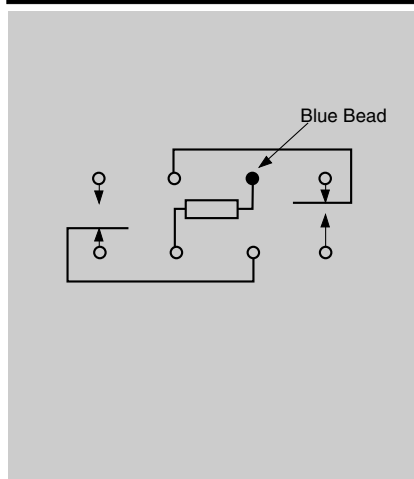
- Compact High Performance
- Direct PCB type / Solder Header
- Rotary Armature
- Bifurcated Gold Flashed Contacts
- Ideal for Low Level Switching
- Nitrogen Back Filling
- Designed to meet MIL R5757/10

COIL DATA

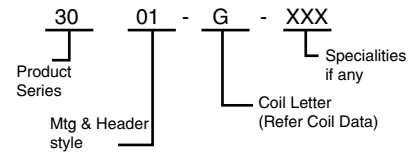
Coil Letter	Nominal Voltage VDC	Pick-up Voltage (25 ^o C) VDC (Max)	Drop-out Voltage (25 ^o C) VDC (Min)	Resistance Ohms ± 10% (25 ^o C)
A	6.3	3.5	0.7	35
D	12.0	7.2	1.4	200
E	20.4	10.2	2.0	340
G	26.5	13.5	2.6	675
L	73.8	42.0	8.0	5675

Special coils available with longer delivery

CIRCUIT DIAGRAM



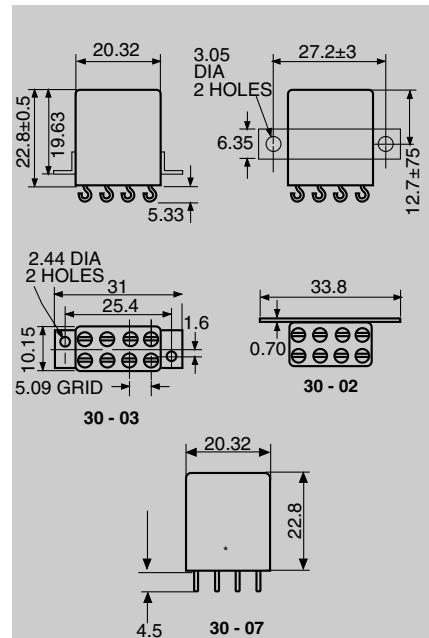
HOW TO ORDER



- 30-01 Solder header with Mtg. Brackets (2) with centre line holes
- 30-02 Solder Header with side Brackets
- 30-03 Solder Header with Mtg. Brackets (2) with off-set holes
- 30-06 Solder-Plain can
- 30-07 Plug-in/Printed Circuit-Plain can

Note : Suitable Socket Available for 30-07 Version

DIMENSIONS



DRILLING PATTERN

