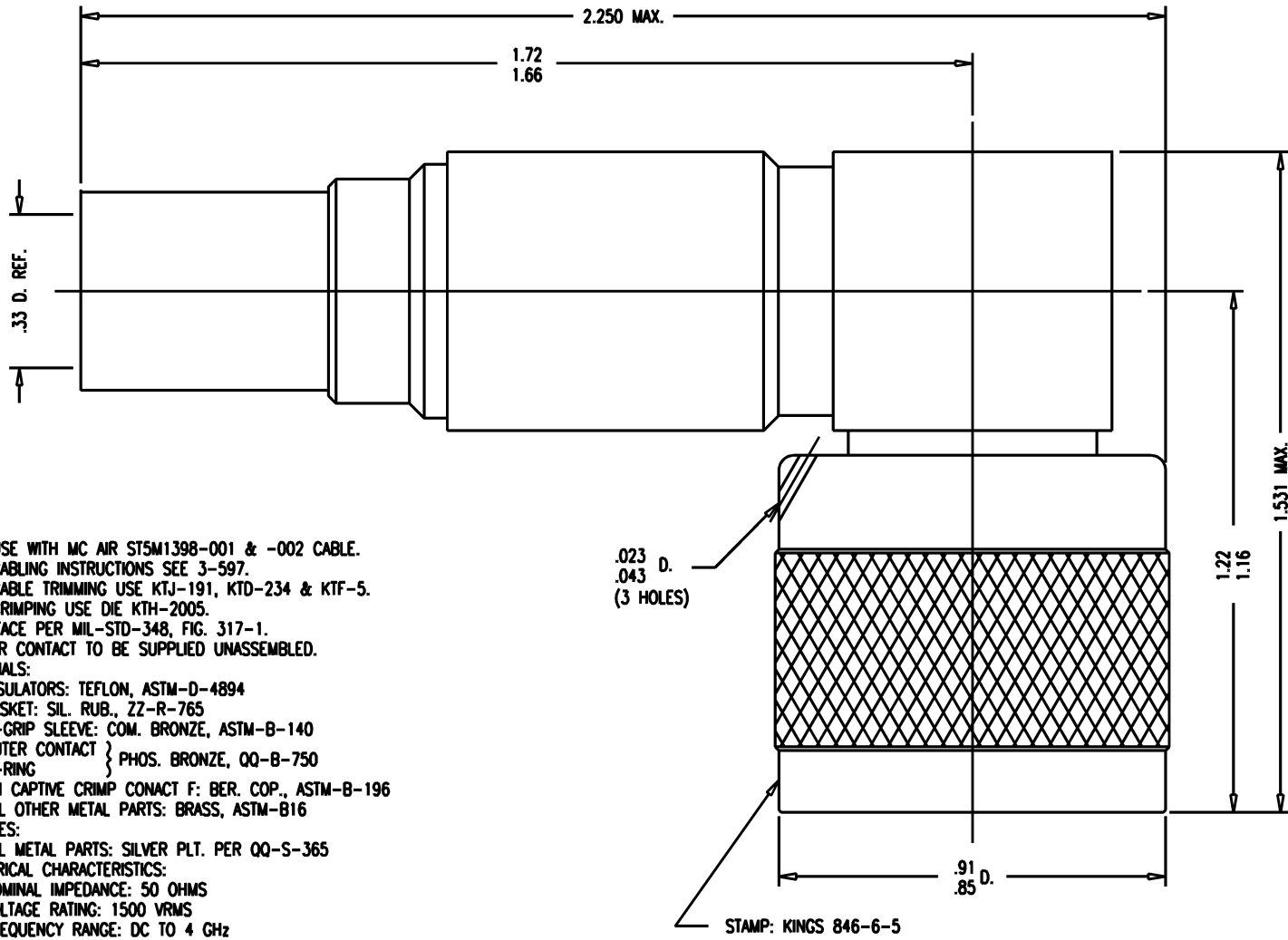


DASH NO.	M CODE	MADE FROM
----------	--------	-----------

GSD

846-6-5

REVISIONS	
ISSUE	CHANGES
0	ER 35591 KH 12/12/94
1	CN 39307 B JLA 07/27/05



- NOTES:**
- FOR USE WITH MC AIR ST5M1398-001 & -002 CABLE.
 - FOR CABLING INSTRUCTIONS SEE 3-597.
 - FOR CABLE TRIMMING USE KTJ-191, KTD-234 & KTF-5.
 - FOR CRIMPING USE DIE KTH-2005.
 - INTERFACE PER MIL-STD-348, FIG. 317-1.
 - CENTER CONTACT TO BE SUPPLIED UNASSEMBLED.
 - MATERIALS:
 - INSULATORS: TEFLON, ASTM-D-4894
 - GASKET: SIL. RUB., ZZ-R-765
 - K-GRIP SLEEVE: COM. BRONZE, ASTM-B-140
 - OUTER CONTACT } PHOS. BRONZE, QQ-B-750
 - C-RING
 - HN CAPTIVE CRIMP CONTACT F: BER. COP., ASTM-B-196
 - ALL OTHER METAL PARTS: BRASS, ASTM-B16
 - FINISHES:
 - ALL METAL PARTS: SILVER PLT. PER QQ-S-365
 - ELECTRICAL CHARACTERISTICS:
 - NOMINAL IMPEDANCE: 50 OHMS
 - VOLTAGE RATING: 1500 VRMS
 - FREQUENCY RANGE: DC TO 4 GHz

KAM5092

SCALE	4:1	
APPROX SURFACE AREA		
USED ON		
REF:	MCAIR 5M1988-001 REV. C + EXCEPT	
PLUG, ANGLE, HN		
DRAWN	KH	DATE 12/12/94
DESIGN	LI	DATE 12/13/94
APPR.		DATE

KINGS
ELECTRONICS CO., INC.
TUCKAHOE, NEW YORK 10707

846-6-5

GSD