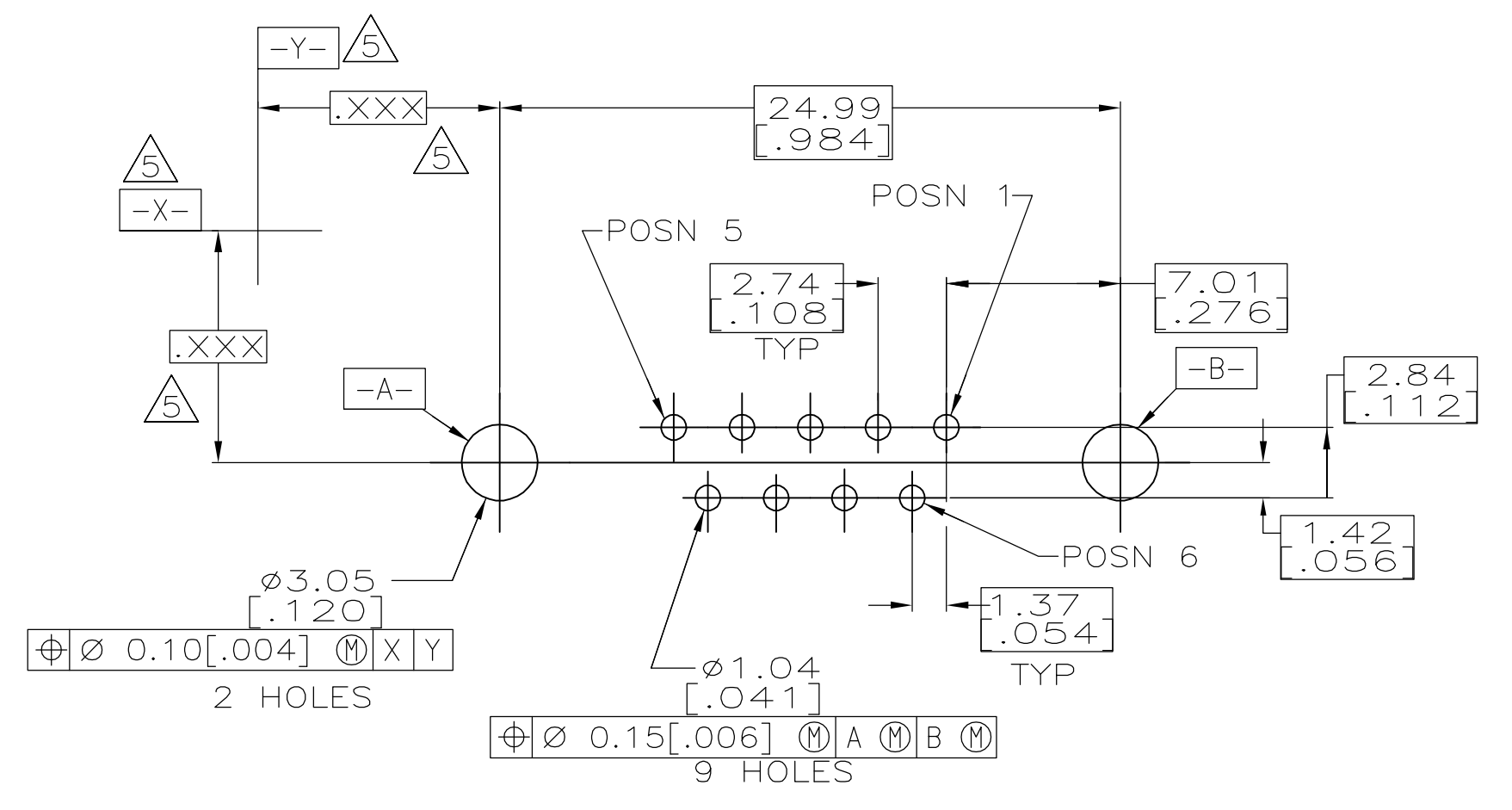
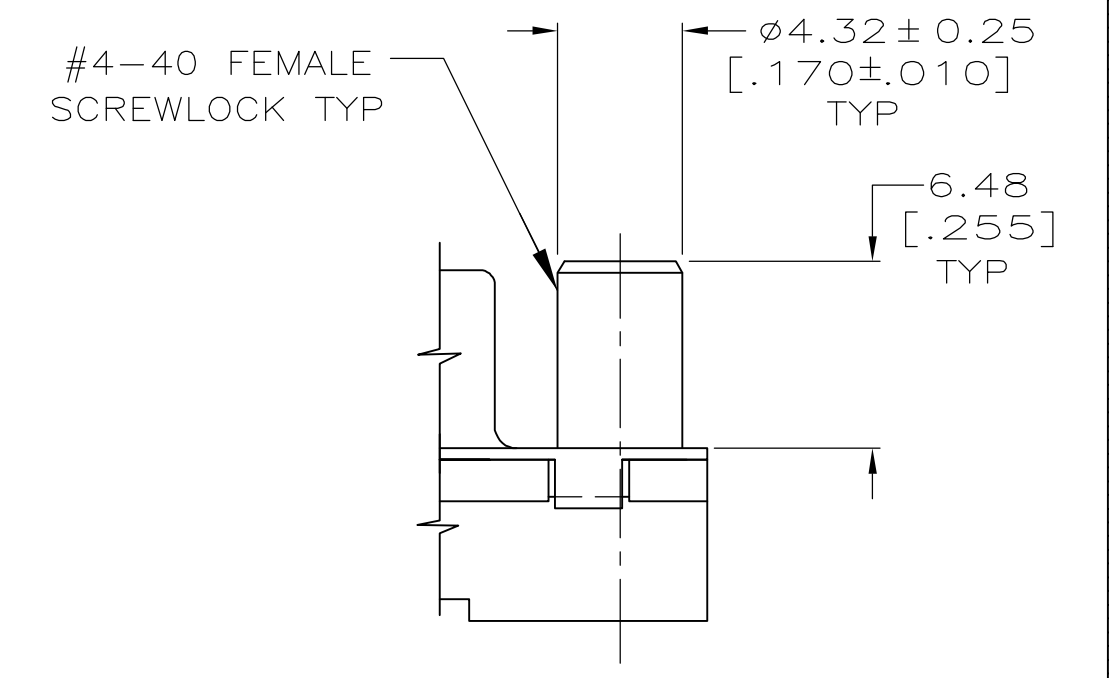
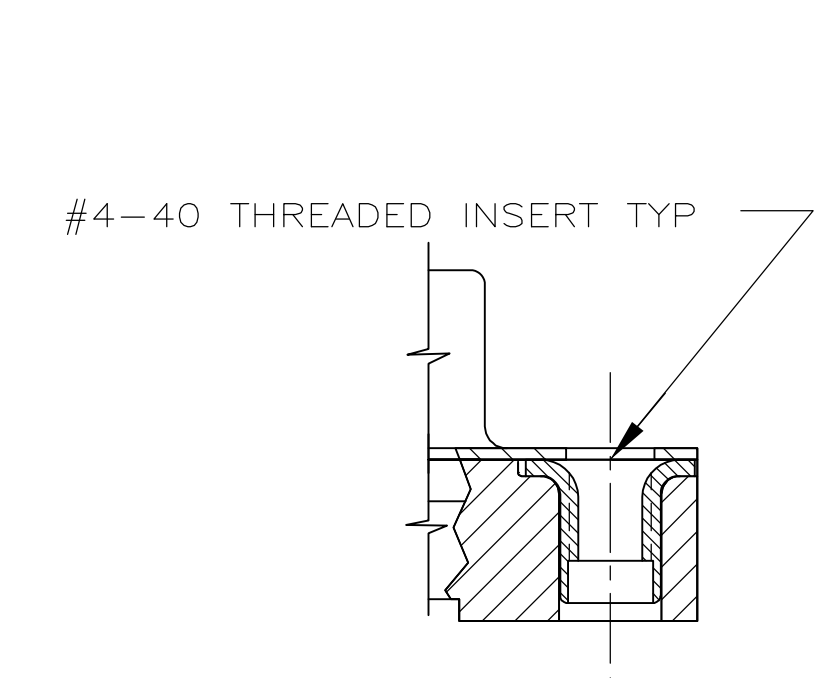
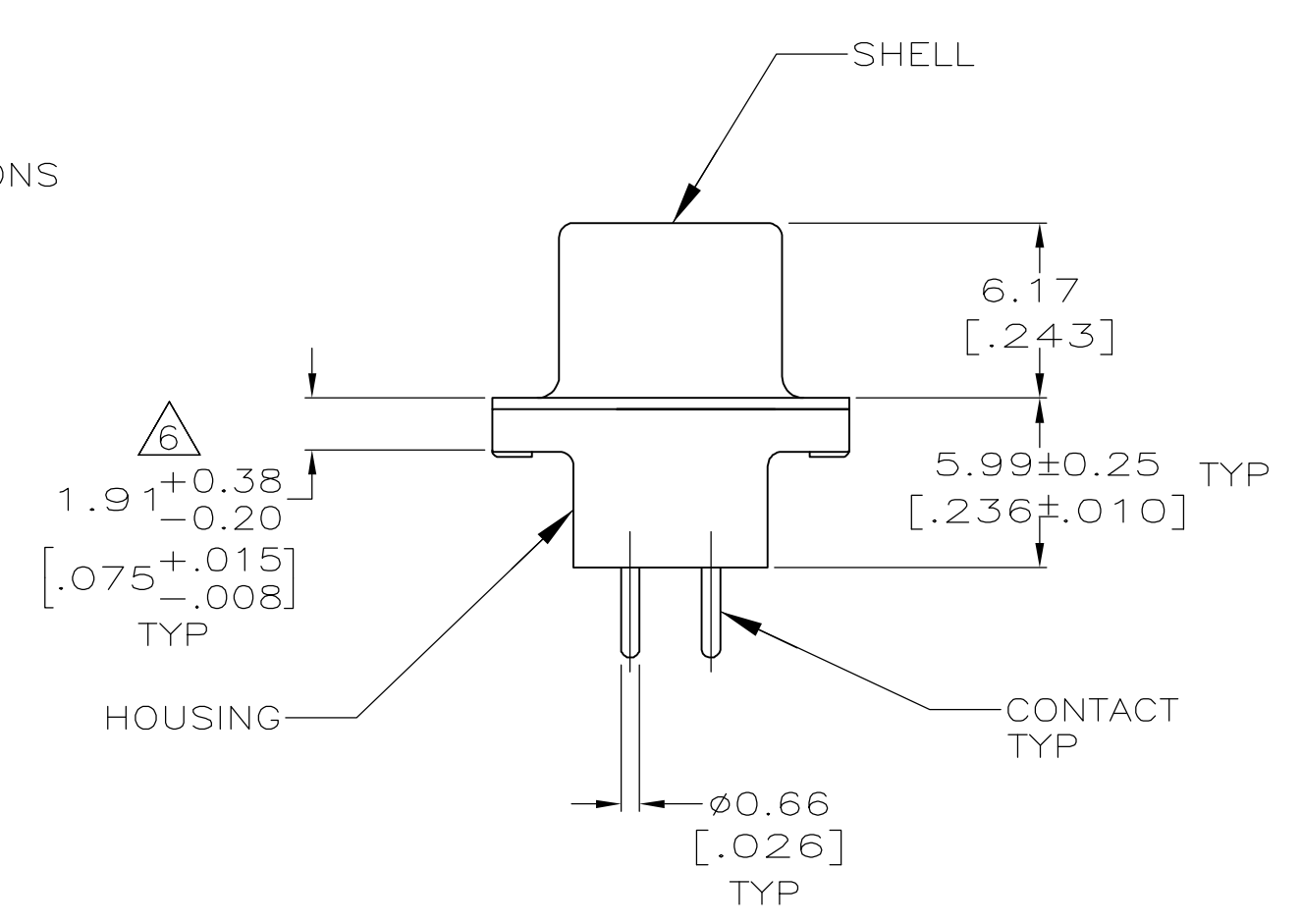
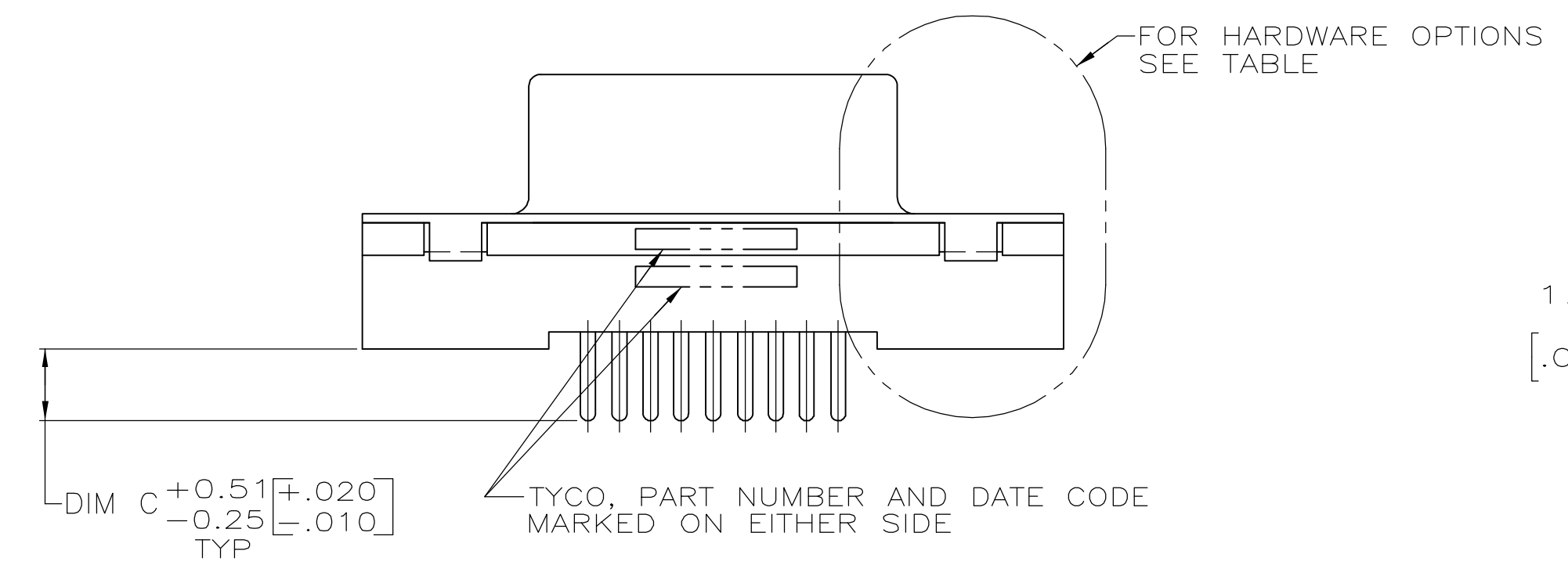
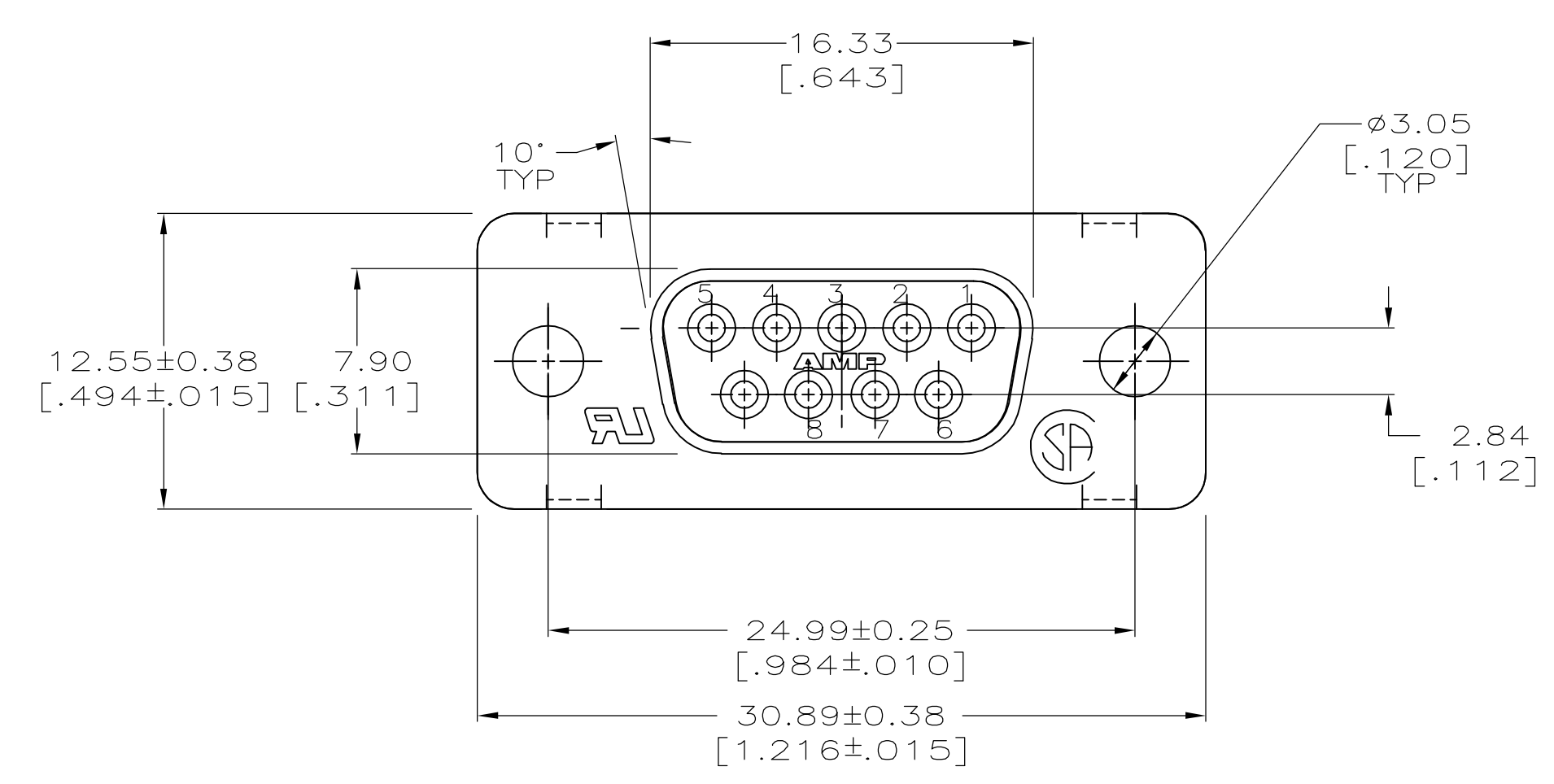


LOC		DIST		REVISIONS			
P	LTR	DESCRIPTION	DATE	DWN	APVD		
A		RELEASED PER EC OS13-0043-05	18MAY05	BM	JG		



RECOMMENDED PC BOARD LAYOUT
 CONNECTOR SIDE OF PC BOARD

- ⚠ MATERIAL:
 HOUSING: POLYESTER, UL 94V-0 RATED, BLACK.
 SHELL: CARBON STEEL.
 CONTACTS: PHOS. BRONZE.
 SCREWLOCKS: ZINC
 INSERTS: BRASS
- ⚠ FINISH:
 SHELL: 5.08um [.000200] MIN TIN OVER 2.54um [.000100] MIN COPPER.
 CONTACTS: SEE TABLE.
- ⚠ GOLD FLASH FOR A LENGTH OF 2.54[.100] MIN FROM MATING END, 2.54um [.000100] MIN TIN ON OPPOSITE END, OVER 1.27um [.000050] MIN NICKEL.
- ⚠ 0.76um [.000030] MIN GOLD FOR A LENGTH OF 2.54 [.100] MIN FROM MATING END, 2.54um [.000100] MIN TIN ON OPPOSITE END, OVER 1.27um [.000050] MIN NICKEL.
- ⚠ DATUMS AND BASIC DIMENSIONS ESTABLISHED BY CUSTOMER.
- ⚠ 2.79[.110] MAX IN SHELL TAB CLINCH AREAS.

DESCRIPTION	CONTACTS	FINISH	C	PART NO
W/FEMALE SCREWLOCKS PER DETAIL E	4	4.32 [.170]		1-5747150-6
	3	3.18 [.125]		1-5747150-4
	3	3.18 [.125]		1-5747150-3
W/THREADED INSERTS PER DETAIL D	4	4.32 [.170]		5747150-9
	3	3.18 [.125]		5747150-8
	3	3.18 [.125]		5747150-7
WO/FEMALE SCREWLOCKS OR THREADED INSERTS AS SHOWN	4	4.32 [.170]		5747150-4
	4	3.18 [.125]		5747150-2
HARDWARE OPTIONS	CONTACTS FINISH		C	PART NO

THIS DRAWING IS A CONTROLLED DOCUMENT.		DWN B. MCMASTER 18MAY05	Tyco Electronics Corporation Harrisburg, Pa 17105-3608	
DIMENSIONS: mm[INCHES]		CHK S. BOLASH 18MAY05	APVD M. WALMSLEY 18MAY05	
TOLERANCES UNLESS OTHERWISE SPECIFIED:		NAME RECEPTACLE ASSEMBLY, SIZE 1, 9 POSITION FRONT METAL SHELL, WITH OR WITHOUT SCREWLOCKS OR INSERTS.		
0 PLC ± -		PRODUCT SPEC 108-40025		
1 PLC ± -		APPLICATION SPEC 114-40023		
2 PLC ± 0.13 [005]		SIZE CAGE CODE DRAWING NO		
3 PLC ± -		A1 00779 C=5747150		
4 PLC ± -		RESTRICTED TO		
ANGLES ± -		WEIGHT		
FINISH		CUSTOMER DRAWING		
SCALE 4:1		SHEET 1 OF 1 REV A		