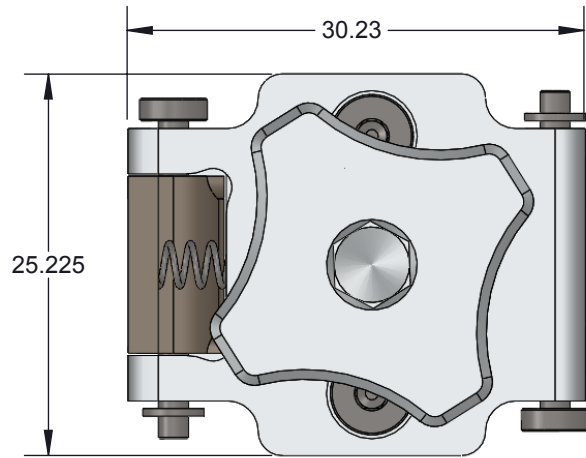


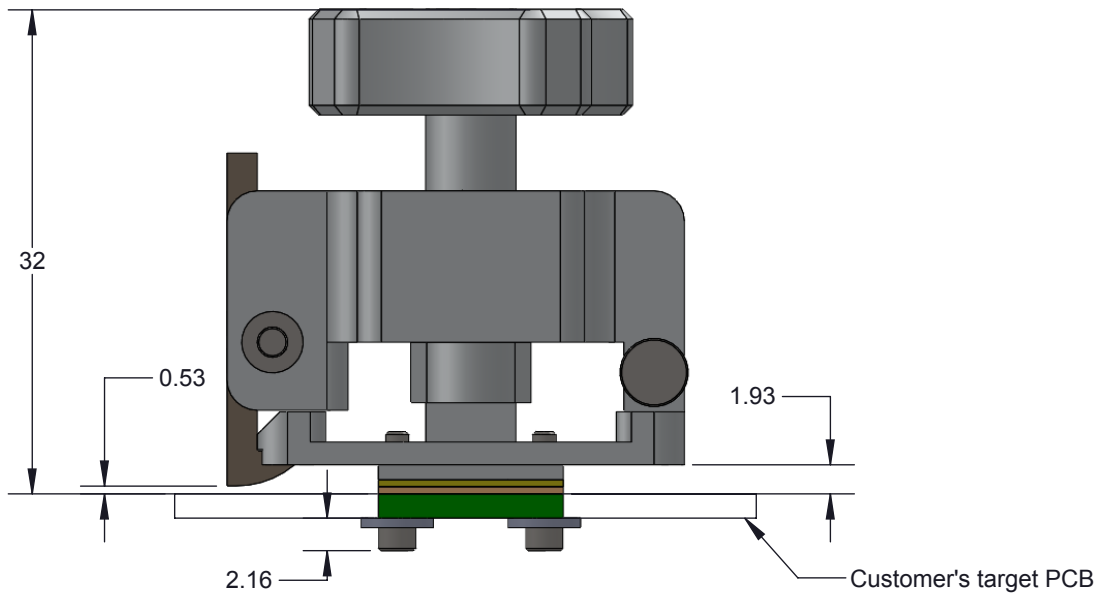
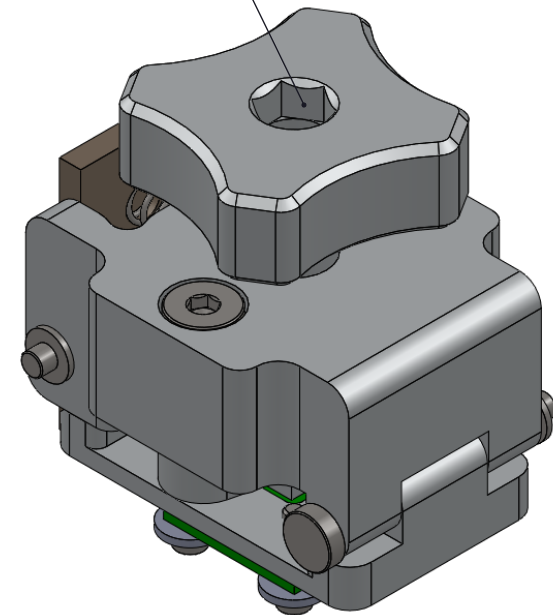
GHz QFN Socket - Direct mount, solderless

Features

- Directly mounts to target PCB (needs tooling holes) with hardware
- High speed, reliable Elastomer connection
- Minimum real estate required
- Compression plate distributes forces evenly
- Hinged clamshell socket lid



Recommended Torque = 1.5 in-lbs



Description: Socket

Primary dimension units are millimeters, Secondary dimension units are [inches], Weight is in grams.

Tolerances: Hole diameters $\pm 0.03\text{mm}$ [$\pm 0.001"$], Pitches (from true position) $\pm 0.025\text{mm}$ [$\pm 0.001"$], substrate thickness tolerance $\pm 10\%$, all other tolerances $\pm 0.13\text{mm}$ [$\pm 0.005"$] unless stated otherwise. Materials and specifications are subject to change without notice.

CG-QFN-7006 Drawing



Ironwood Electronics, Inc.
Tele: (800) 404-0204
www.ironwoodelectronics.com

Material: N/A
Finish: N/A
Weight: 33.25

STATUS: Released

ENG: S. Faiz

FILE: CG-QFN-7006

SHEET: 1 OF 4

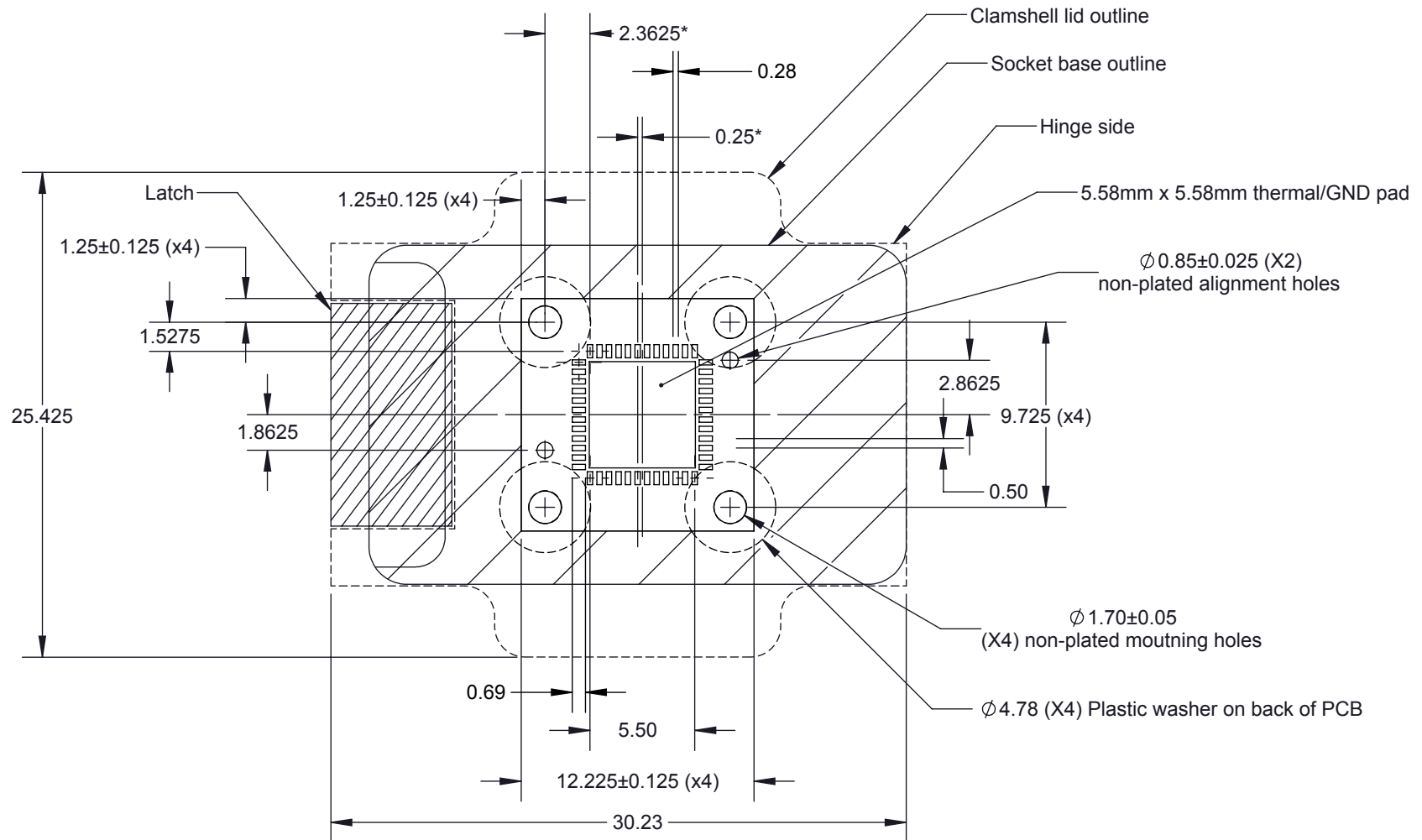
DRAWN BY: S. Faiz

DATE: 5/21/12

REV. C

SCALE: 2:1

***Note: QFN pattern is not symmetrical with respect to the mounting holes. The pattern is shifted to the right of center by 0.25mm.**




Target PCB Recommendations

Total thickness: 1.6mm min.
 Plating: Gold or Solder finish

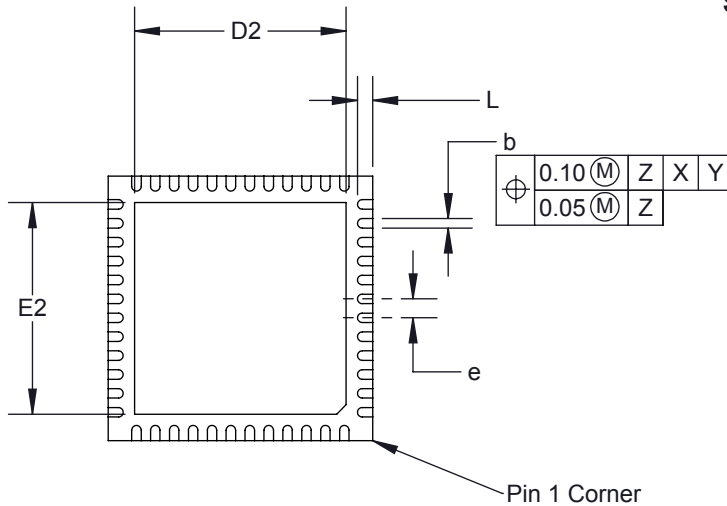
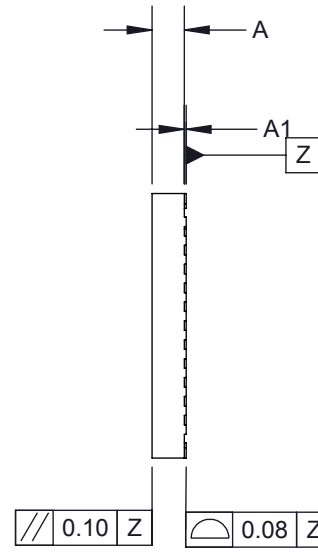
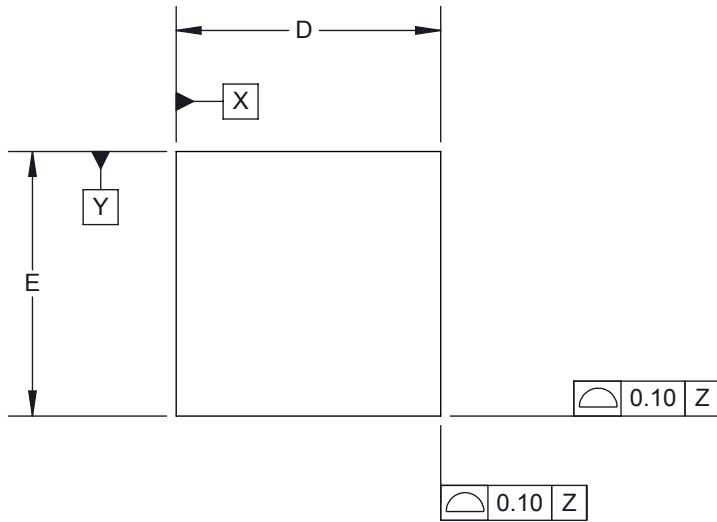
Description: Recommended PCB Layout

Primary dimension units are millimeters, Secondary dimension units are [inches], Weight is in grams.

Tolerances: Hole diameters $\pm 0.03\text{mm}$ [$\pm 0.001"$], Pitches (from true position) $\pm 0.025\text{mm}$ [$\pm 0.001"$], substrate thickness tolerance $\pm 10\%$, all other tolerances $\pm 0.13\text{mm}$ [$\pm 0.005"$] unless stated otherwise. Materials and specifications are subject to change without notice.

 CG-QFN-7006 Drawing Ironwood Electronics, Inc. Tele: (800) 404-0204 www.ironwoodelectronics.com	Material: N/A Finish: N/A Weight: 33.25	STATUS: Released	SHEET: 2 OF 4	REV. C
		ENG: S. Faiz	DRAWN BY: S. Faiz	SCALE: 3:1
		FILE: CG-QFN-7006	DATE: 5/21/12	

Package code: QFN48A




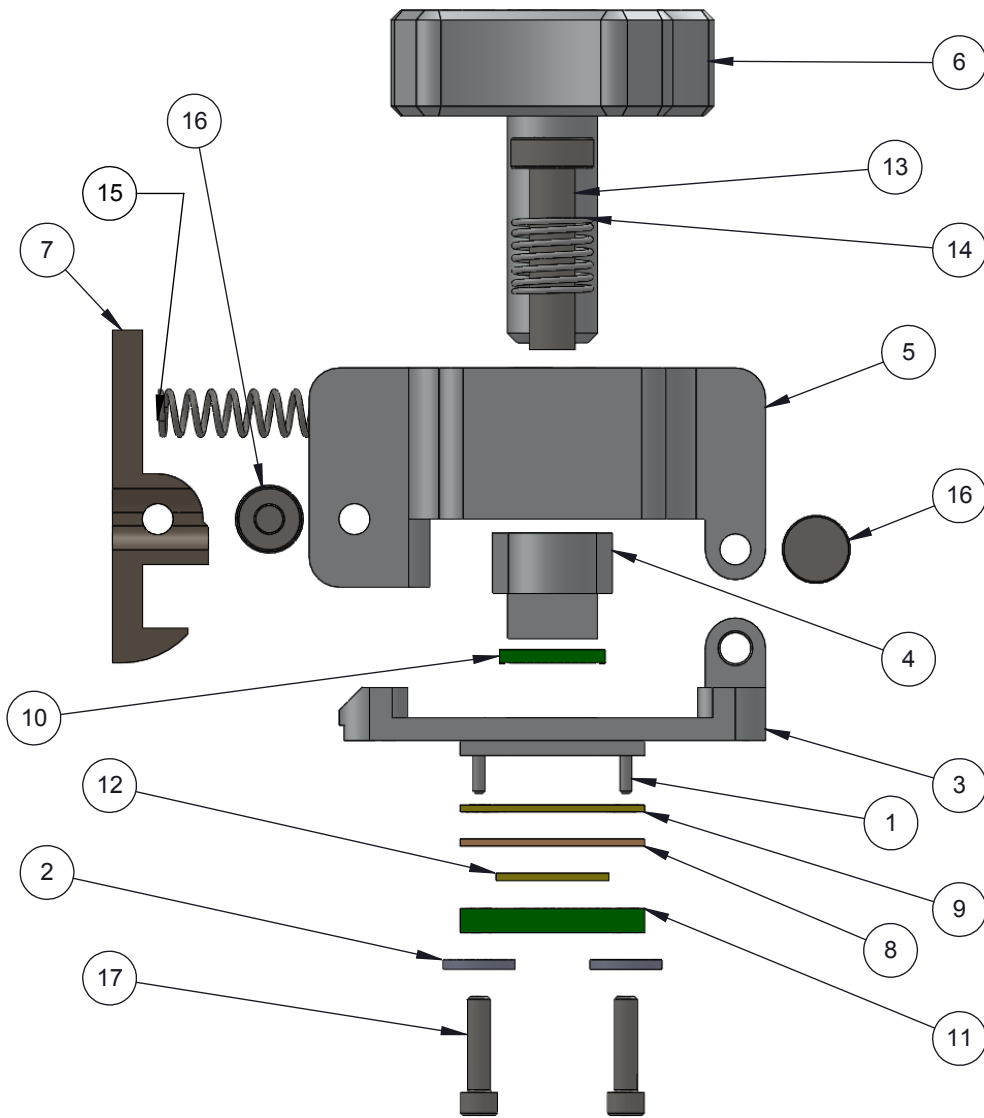
DIM	MIN	NOM	MAX
A	0.5	0.85	2.5
A1	0.00	0.02	0.05
b	0.18	0.22	0.30
D	6.85	7.0	7.15
D2	5.30	5.40	5.50
E	6.85	7.0	7.15
E2	5.30	5.40	5.50
L	0.4		
e	0.5		

Description: Compatible QFN

Primary dimension units are millimeters, Secondary dimension units are [inches], Weight is in grams.

Tolerances: Hole diameters $\pm 0.03\text{mm}$ [± 0.001 "], Pitches (from true position) $\pm 0.025\text{mm}$ [± 0.001 "], substrate thickness tolerance $\pm 10\%$, all other tolerances $\pm 0.13\text{mm}$ [± 0.005 "] unless stated otherwise. Materials and specifications are subject to change without notice.

 <p>CG-QFN-7006 Drawing Ironwood Electronics, Inc. Tele: (800) 404-0204 www.ironwoodelectronics.com</p>	<p>Material: N/A Finish: N/A Weight: 33.25</p>	STATUS: Released	SHEET: 3 OF 4	REV. C
		ENG: S. Faiz	DRAWN BY: S. Faiz	SCALE: 5:1
		FILE: CG-QFN-7006	DATE: 5/21/12	




ITEM NO.	DESCRIPTION	Material
1	Dowel Pin, 1/32" x 3/16", SS	Chrome Stainless Steel
2	Washer, #0 x .025", Nylon	Nylon 6/6
3	Socket Base	7075-T6 Aluminum Alloy
4	Compression Plate 6mm sq	7075-T6 Aluminum Alloy
5	Clam Shell Lid	7075-T6 Aluminum Alloy
6	Fluted Knob Compression Screw	7075-T6 Aluminum Alloy
7	Latch, Ni plated	7075-T6 Aluminum Alloy
8	Elastomer Guide 7x7mm	Ultem
9	IC guide 7x7mm	Torlon 4203
10	QFN48A chip	FR4
11	Test PCB	FR4
12	0.5mm thick, 0.05x 0.05mm pitch, 50mm sq, Z-axis conductive angled elastomer	20 Micron dia gold plated brass filaments arranged symetrically in a silicon rubber (63.5 degree angle), Thickness: 0.5mm
13	Screw, M3 x 12mm, Low Head Cap, SS	18-8 Stainless Steel
14	Spring Clamshell lid assembly	Steel Music Wire
15	Precision Compression Spring, Zinc-Plated Music Wire, 1/2" Length, .12" OD, .016" Wire	Zinc Plated Music Wire
16	Hinge Pin and Snap Ring, 2mm OD, 19mm long, SS	Stainless Steel (ferritic)
17	#0-80 X .25 LG, SOC HD CAP SCREW, ALLOY STL, BLK OXIDE	Alloy Steel

Description: Socket Detail

Primary dimension units are millimeters, Secondary dimension units are [inches], Weight is in grams.

Tolerances: Hole diameters $\pm 0.03\text{mm}$ [$\pm 0.001"$], Pitches (from true position) $\pm 0.025\text{mm}$ [$\pm 0.001"$], substrate thickness tolerance $\pm 10\%$, all other tolerances $\pm 0.13\text{mm}$ [$\pm 0.005"$] unless stated otherwise. Materials and specifications are subject to change without notice.

Rev	Date	Initials	Description
A	05/21/12	SF	Original
B	05/07/14	DH	Changed IC Guide material to Torlon
C	06/15/15	DH	Updated page 1 and 2 to show updated socket width dimension.

 CG-QFN-7006 Drawing Ironwood Electronics, Inc. Tele: (800) 404-0204 www.ironwoodelectronics.com	Material: N/A Finish: N/A Weight: 33.25	STATUS: Released ENG: S. Faiz FILE: CG-QFN-7006	SHEET: 4 OF 4 DRAWN BY: S. Faiz DATE: 5/21/12	REV. C SCALE: 2:1
--	---	---	---	----------------------