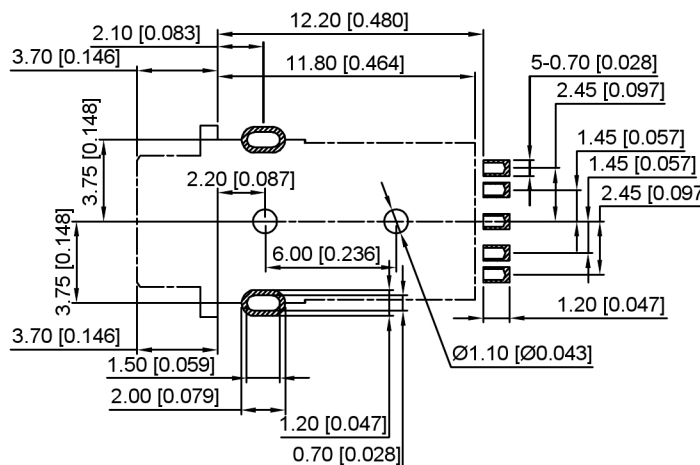
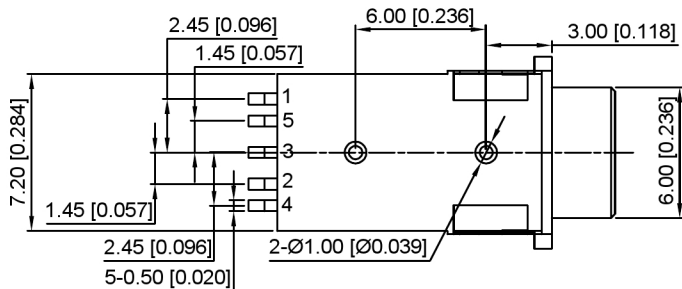
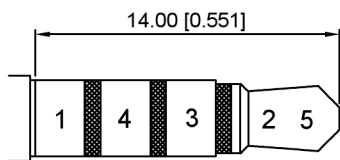
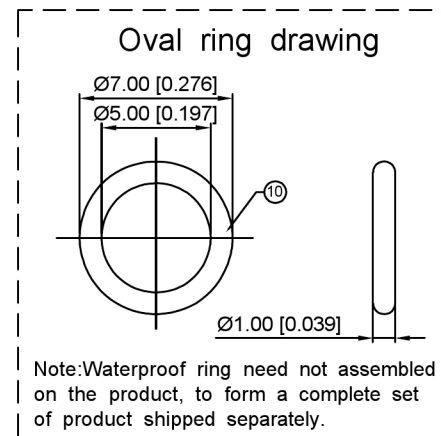


CIRCUIT DIAGRAM



P.C.B LAYOUT



Ø3.5 MATE PULG

Rating:0.5A 30V DC.
 Contact resistance:100 MΩ MAX.
 Operating temperature:-20℃~70℃.
 Operating force: 3-20N.
 Operating life: 10,000 cycles.

- | | | |
|--------------------------|------------|-------------|
| 1.Glue water: EROXY | Quantity 1 | Color:BLACK |
| 2.Cover: HIGH TEMP | Quantity 1 | Color:BLACK |
| 3.Housing: HIGH TEMP | Quantity 1 | Color:BLACK |
| 4.Terminal: copper alloy | Quantity 5 | Au plated |
| 5.Oval ring | | |
| 6.Bond | | |

广东星坤科技股份有限公司

Δ*	日期
Δ*	日期
Δ*	日期
MARK	DESCRIPTION

文件工程章

REVISIONS	DATE	REVISED	APPROVED	UNSPECIFIED TOLERANCES

DSND		DATE		SCALE: N/A	MODEL TYPE: 3.5 PHONE JACI
DWN		DATE		VIEW:	PART NO.:
CHKD		DATE		UNIT: mm/in	DWG NO.: PJ-3254A-SMT
APPD		DATE		SIZE: A4	
XKB INDUSTRIAL PRECISION CO.,LIMITED				WEIGHT	SHEET
				1.0g	1/1
					REVISIC A0