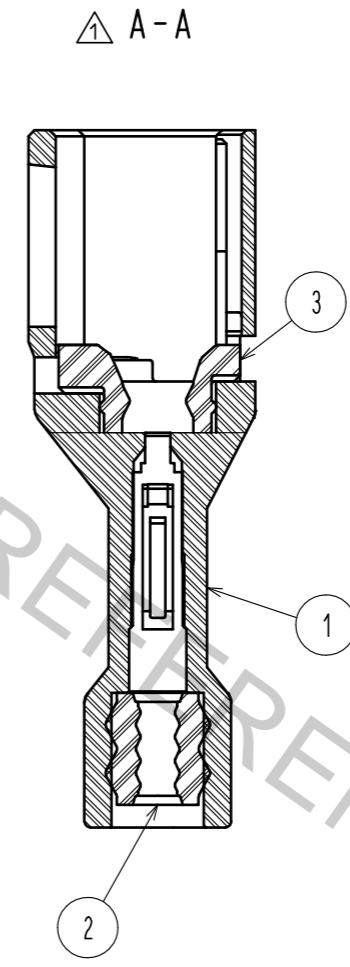
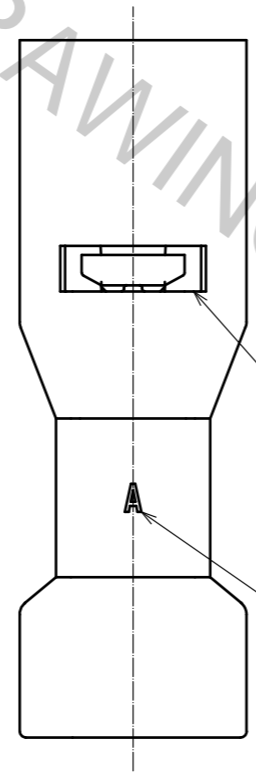
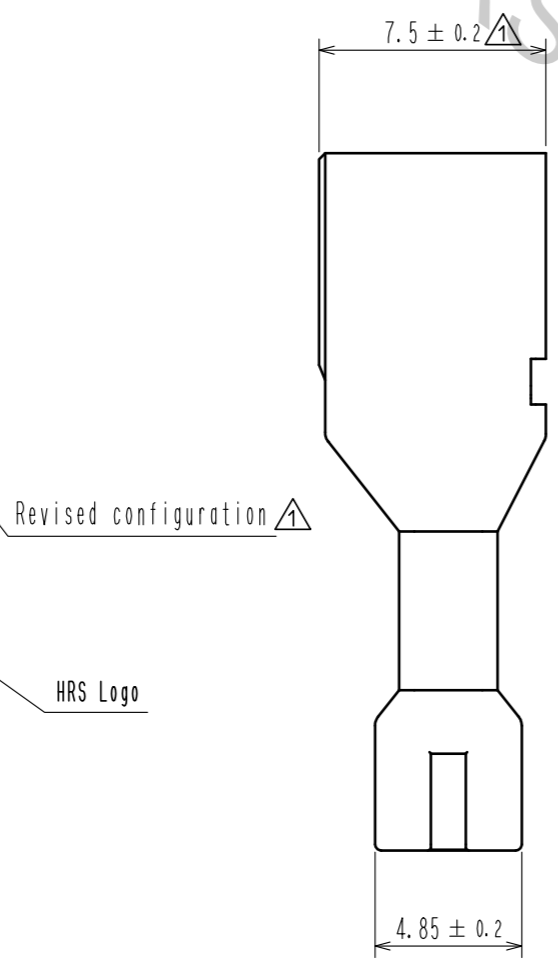
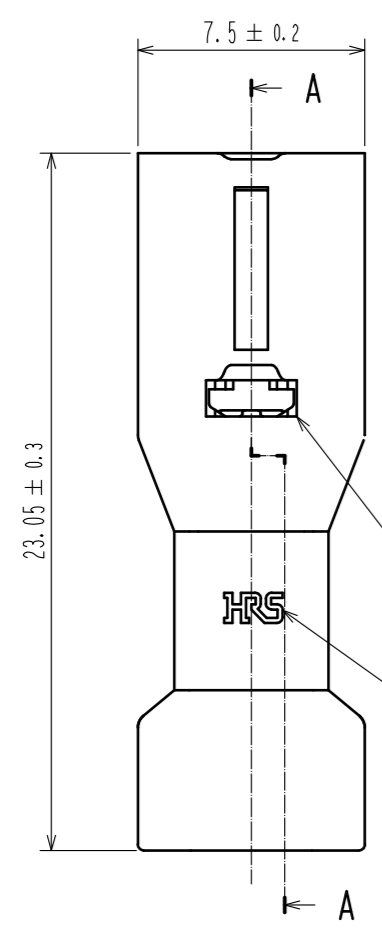
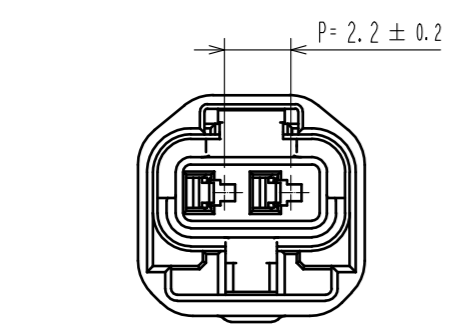
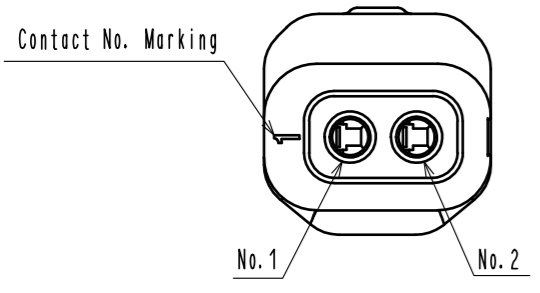
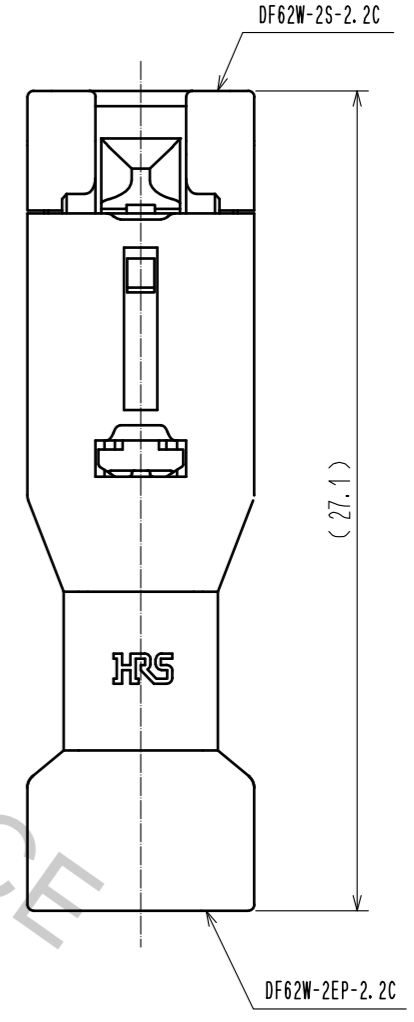
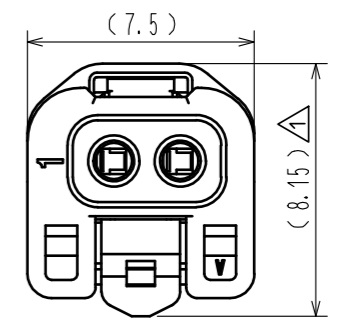


Jan.1.2019 Copyright 2019 HIROSE ELECTRIC CO., LTD. All Rights Reserved.  
 In case that the application demands a high level of reliability, such as automotive,  
 please contact a company representative for further information.



Mated Figure



- Notes.
- 1. 100 pcs. / bag
  - 2. The dimensions in parenthesis are reference dimensions.
  - 3. Always refer to the manuals below for operation of this product.  
 For Cable assembly / Cable assembly procedure ATAD-H0760  
 For Mating/Unmating / Operation manual ATAD-H0761

1	PBT	UL94V-0 (Black)	3	Silicone rubber	Bengala
2			2	Silicone rubber	Bengala
NO.	MATERIAL	FINISH . REMARKS	NO.	MATERIAL	FINISH . REMARKS
UNITS	mm	SCALE	4 : 1	COUNT	6
DESCRIPTION OF REVISIONS			DESIGNED	CHECKED	DATE
DIS-H-00000241			TS.MIYAKI	TS.FUKUSHIMA	15.03.17
APPROVED : KI. AKIYAMA 14.01.09			DRAWING NO. EDC3-353518-00		
CHECKED : MN. KENJO 14.01.09			PART NO. DF62W-2EP-2.2C		
DESIGNED : TO. HORII 14.01.08			CODE NO. CL544-1003-0-00		
DRAWN : TO. HORII 14.01.08			1/1		