

ATLANTIC VERSION TERMINATOR INTERFACE ADAPTER	PART NUMBER	REVISION	DESCRIPTION	FEED TYPE	CONVERT TO	PART NUMBERS REQUIRED					
	2150185-1	A	FINE CRIMP HEIGHT ADJUST	MECHANICAL	PNEUMATIC FEED	2119950-1	2119792-1	-	2119641-1	-	2063440-1
	2150185-2	B	FINE CRIMP HEIGHT ADJUST	PNEUMATIC	SERVO LATCH PLATE	2119951-1	1901697-1	8-2150185-5	-	-	2168400-7 (QUANTITY 2)
					SMART APPLICATOR	2161326-1	-	8-2150185-4	-	-	-
					MECHANICAL FEED	2119949-1	2063961-1	5-18022-5	2119653-1	-	-
	2150185-5	A	FINE CRIMP HEIGHT ADJUST	SERVO LATCH PLATE	SERVO LATCH PLATE	2119951-1	1901697-1	8-2150185-5	-	-	2168400-7 (QUANTITY 2)
					SMART APPLICATOR	2161326-1	-	8-2150185-4	-	-	-
	2150185-6	A	NON-CRIMP HEIGHT ADJUST	SERVO LATCH PLATE	MECHANICAL FEED	2119949-1	2063961-1	5-18022-5	2119653-1	-	-
2150185-7	A	FINE CRIMP HEIGHT ADJUST	NONE	PNEUMATIC FEED	2119950-1	2119792-1	-	2119641-1	-	2063440-1	
7-2150185-7	A	CRIMP TOOLING KIT	-	-	-	-	-	-	-	-	

APPLICATOR DATA		
CRIMP	SIZE	TYPE
WIRE	3.56 mm [.140]	F
INSUL	6.10 mm [.240]	F
APPLICATOR INSTRUCTIONS 408-10390		

TERMINAL DATA: TE TERMINAL		TE CRIMP SPECIFICATION	
TERMINAL NAME: RECEPTACLE, POSITIVE-LOCK, .250 SERIES			
WIRE STRIP LENGTH		INSULATION DIAMETER RANGE	
4.40-6.20 mm [.173-.244 IN]		Ø3.05-4.31 mm [.120-.170 IN]	
TERMINAL APPLICATION SPECIFICATION	114-2074	-	-
TERMINALS APPLIED			
TE TERMINAL	TE TERMINAL	TE TERMINAL	TE TERMINAL
1217095-1	1217095-2	1217092-1	1217092-2

WIRE SIZE	CRIMP HEIGHT mm [INCH]	CRIMP HEIGHT REFERENCE SETTING
(2)16AWG	1.78+/-0.05 [.070+/-0.002]	8.4
1)16 AWG + (1)18 AWG	1.70+/-0.05 [.067+/-0.002]	9.4
(2)18 AWG	1.60+/-0.05 [.063+/-0.002]	10.5
16 AWG	1.50+/-0.05 [.059+/-0.002]	11.2

- 1 RECOMMENDED SPARE PARTS
- 2 GREASE BEARING SURFACES LIGHTLY
- 3. LUBRICATE DAILY PER THE APPLICATOR INSTRUCTION SHEET SUPPLIED WITH THE APPLICATOR.
- 4 APPLICATOR SPECIFIC DATA TO BE ENTERED INTO BLANK MEMORY CHIP AT ASSEMBLY. SEE BELOW FOR PART NUMBER:
 MECHANICAL FEED WITH "SMART APPLICATOR" CONVERSION: 8-2150185-4
 PNEUMATIC FEED WITH "SMART APPLICATOR" CONVERSION: 8-2150185-4
 SERVO FEED WITH "FINE CRIMP HEIGHT ADJUST": 8-2150185-5
 SERVO FEED WITH "NON-CRIMP HEIGHT ADJUST": 8-2150185-6
- 5. ADJUSTMENT OF THE STRIPPER MAY BE REQUIRED WHEN MOVING THE APPLICATOR BETWEEN BENCH AND LEADMAKER APPLICATIONS.
- 6 APPLY PART NUMBER 1-23419-5 LOCTITE TO THREADS OF ITEMS 50, 62. APPLY PART NUMBER 2-23419-6 LOCTITE TO THREADS OF ITEMS 242. FOR -6 ONLY APPLY PART NUMBER 1-23419-5 LOCTITE TO THREADS OF ITEM 37.
- 7 GREASE THREADS, GROOVE AND O-RING ON ITEMS 35 & 252.
- 8 MAGNET, ITEM 166 MUST BE ORIENTED CORRECTLY IN ORDER TO PROPERLY ACTUATE THE COUNTER.
- 9 CRIMP HEIGHT REFERENCE SETTING WAS THE SETTING USED WHEN THE APPLICATOR WAS QUALIFIED AT THE FACTORY. ADJUSTMENT MAY BE NECESSARY WHEN RUNNING APPLICATOR IN THE FIELD.
- 10 SPARE FEED CAM STORAGE LOCATION REFER TO INSTRUCTION SHEET FOR ADDITIONAL INFORMATION.
- 11 THE RECOMMENDED SET-UP FOR END FEED APPLICATORS IS POST-FEED WITH ITEM 2119653-1. THE APPLICATOR CAN BE CONFIGURED FOR PRE-FEED WITH ITEM 2119652-1 BUT MAY ENCOUNTER PROBLEMS WITH SOME APPLICATIONS. FEED ISSUES OR TERMINAL JAMMING MAY OCCUR IN THE PRE-FEED CONFIGURATION.
- 12 WHEN ASSEMBLING -6 NON-CRIMP HEIGHT ADJUST APPLICATOR USE SHIM PACK 2119957-2 TO ALIGN APPLICATOR'S MAXIMUM WIRE CRIMP HEIGHT AT NORMAL TERMINATOR SHUT HEIGHT

***WARNING**
 ON INSTALLATION, SET WIRE DISC, ITEM 40 TO LARGEST WIRE SIZE SETTING. USE OF SETTINGS BELOW MINIMUM REQUIRED CRIMP HEIGHT SETTING WILL CAUSE DAMAGE TO CRIMP TOOLING.

-77	-7	-6	-5	-2	-1	PART NO	DESCRIPTION	ITEM NO
-	-	1	-	-	-	2119957-2	APPLICATOR SHIM PACK	260
-	1	-	1	1	1	8-21084-0	O-RING, .676 ID, .070 DIA. MAT.	252
-	-	-	-	1	-	2119640-1	PUSH ROD, AIR FEED	250
-	-	-	-	1	-	2079988-1	BUSHING, LCH5-12, MISUMI	249
-	-	-	-	1	-	2119641-1	FEED CAM, AIR FEED	248
-	1	-	1	1	1	2119798-1	DETENT PIN	247
-	1	-	1	1	1	1-22279-3	SPRING, COMPRESSION	246
-	-	1	-	-	-	2119759-1	RAM, AMP STYLE, END FEED, NON-ADJUST	245

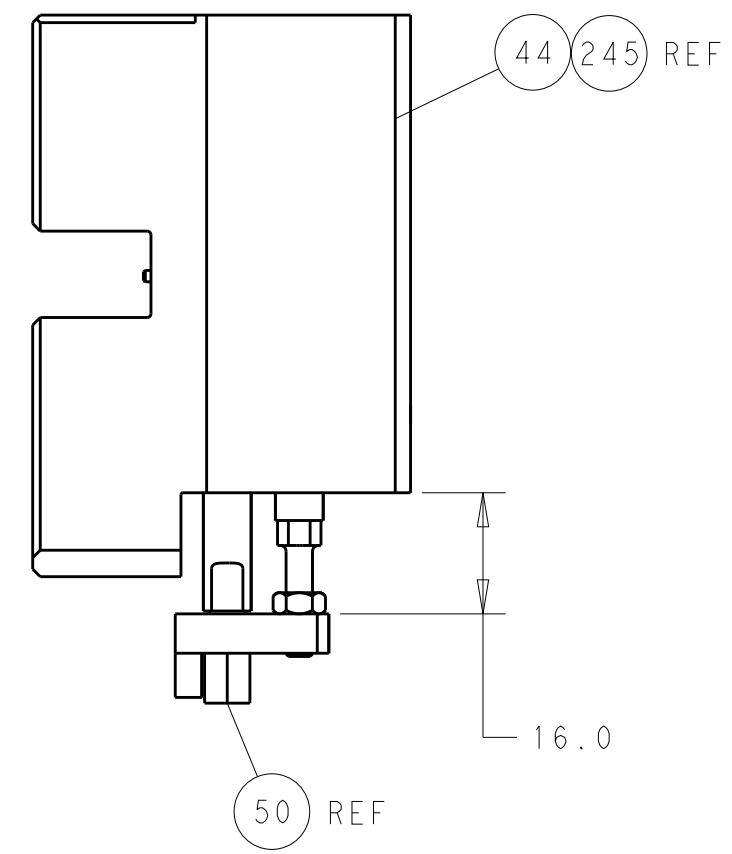
ATLANTIC VERSION
 Shown on sheets 1 of 4 & 2 of 4
 (Pacific version shown on sheets 3 of 4 & 4 of 4)

SET UP GAUGE	LOC	DIST	REVISIONS			
2119599-2	A	66	REV	DATE	BY	APPV
			A	RELEASE	31MAY2012	XZ SX
			B	ECR-14-012840	27AUG2014	KH TE
			B1	ECR-15-012692	02SEP2015	XZ UG

REV	DATE	BY	APPV	DESCRIPTION	DATE	OWN	APPV	
-	1	1	1	1	1	2119082-9	CAM, SNAIL, INSULATION ADJUSTMENT	244
-	1	1	1	1	1	2079764-1	WASHER, WAVE SPRING, CREST-TO-CREST	243
-	1	1	1	1	1	2119083-1	RETAINER, INSULATION DIAL	242
-	-	2	2	-	-	2168400-7	SHCS, LOW HEAD, RoHS, M5 X 10	240
-	-	-	-	-	1	2119580-1	MECHANICAL FEED ASSEMBLY	239
-	-	-	-	-	1	2063440-1	AIR FEED MODULE	238
-	-	1	1	-	-	2119740-2	TAG, IDENTIFICATION	213
-	-	REFREF	-	-	-	1901697-1	FEED FINGER ASSEMBLY, EF	183
-	1	1	1	1	1	6-993111-6	PIN, SLOTTED SPRING 3.0 X 14.0	177
-	1	1	1	1	1	8-22280-7	SPRING, COMPRESSION	176
-	1	1	1	1	1	1752353-2	GUIDE PIN, HOLDDOWN	175
-	1	1	1	1	1	1901680-2	GUIDE PIN, HOLDDOWN	174
-	-	-	-	2	-	21045-3	RING, RETAIN, EXTERN, 3/16 CRESCENT	172
-	1	1	1	1	1	994969-1	MAGNET, RARE EARTH HIGH ENERGY	166
-	REFREF	REFREF	REFREF	REFREF	REFREF	994970-2	COUNTER, MAGNETIC	164
-	-	-	-	1	-	240638-1	SPRING, FEED FINGER	163
-	-	-	-	1	-	3-23627-7	PIN, RETAIN, GRVD, 3/16 X .854	137
-	-	REFREF	-	-	-	SEE NOTE 4	MEMORY CHIP, PROGRAMMED	135
-	-	1	1	-	-	1633743-1	SERVO FEED LATCH ASM	133
-	1	1	1	1	1	455888-5	SPACER, CRIMPER	82
-	1	1	1	1	1	2119956-2	DOCUMENTATION PACKAGE	71
-	2	2	2	2	2	2-18032-2	SCR, SET, FLT POINT M3 X 10.0	70
-	1	-	-	1	1	2119740-1	TAG, IDENTIFICATION	67
-	2	2	2	2	2	2168078-1	SCREW, DRIVE, RH, RoHS, 2 x .188	66
-	1	1	1	1	1	1901681-5	HOLDDOWN, TERMINAL	65
-	2	2	2	2	2	2168400-5	SHCS, LOW HEAD, RoHS, M4 X 20	64
-	1	-	-	1	1	2119793-1	LIMITER, ADJUSTMENT BOLT	63
-	3	-	3	3	3	992763-5	SCR, SET, SOC, CONE POINT, M3 x 4.0	62
-	1	1	1	1	1	2079383-4	SCR, BHSC, RoHS (M4 X 8)	60
-	-	-	-	-	1	5-18022-5	SCR, HEX HD CAP, M4 X 6.0	59
-	-	-	-	-	1	2063961-1	FEED FINGER	58
-	3	3	3	3	3	2168400-4	SHCS, LOW HEAD, RoHS, M4 X 8	57
-	2	2	2	2	2	2168083-8	SCR, SKT HD CAP, RoHS, M4 X 16	56
-	2	2	2	2	2	5018030-2	NUT, HEX, REG, RoHS, M4	55
-	2	2	2	2	2	5018030-1	NUT, HEX, REG, RoHS, M3	54
-	2	2	2	2	2	986965-8	NUT, LOCK, HEX, TORQUE (M4)	53
-	1	1	1	1	1	1-5018030-0	NUT, HEX, REG, RoHS, M3.5	52
-	-	-	-	1	-	2119792-2	PAWL, EF, AIR	51
-	1	1	1	1	1	1-1752354-1	STANDOFF, HOLD-DOWN	50
-	-	-	-	1	2	18023-9	SCR, SKT HD CAP M4 X 6.0	49
-	-	-	-	-	1	2119652-1	FEED CAM, PRE FEED	48
-	-	-	-	-	1	2119653-1	FEED CAM, POST FEED	47
-	1	1	1	1	1	2119655-5	APPLICATOR BASIC ASSEMBLY, EF	46
-	1	-	1	1	1	2119369-1	RAM, AMP STYLE, END FEED	44
-	1	1	1	1	1	2079383-7	SCR, BHSC, RoHS (M8 X 25)	41
-	1	-	1	1	1	2119645-1	DISC, NUMBERED FA WIRE ADJUSTMENT	40
-	1	-	1	1	1	2119957-1	APPLICATOR SHIM PACK	39
-	1	1	1	1	1	2119644-2	RAM WASHER, PRECISION	38
-	1	1	1	1	1	2119085-1	FA HEAD, ATLANTIC STYLE	37
-	1	-	1	1	1	2119092-1	BOLT, ADJUSTMENT	35
-	7	7	7	7	7	1-18028-2	WASHER, FLAT, REG M4	33
-	2	2	2	2	2	2168083-9	SCR, SKT HD CAP, RoHS, M4 X 20	31
-	2	2	2	2	2	1-2168083-0	SCR, SKT HD CAP, RoHS, M4 X 10	29
-	1	1	1	1	1	240639-1	STRIPPER (MACHINING)	27
-	2	2	2	2	2	1320906-1	STUD, THREADED	25
-	1	1	1	1	1	1752371-1	PLATE, STRIP GUIDE	24
-	1	1	1	1	1	240825-2	PLATE, STRIP HOLD DOWN	23
-	2	2	2	2	2	22281-9	SPRING, COMPRESSION	22
-	1	1	1	1	1	1752373-1	DRAG	20
-	2	2	2	2	2	1-1901259-0	GUIDE, LOWER STRIP	18
-	4	4	4	4	4	1-2079383-1	SCR, BHSC, RoHS (M6 X 12)	17
-	1	1	1	1	1	8-240641-4	SPACER	16
-	1	1	1	1	1	1752360-1	SPACER, HOLD-DOWN	13
-	1	1	1	1	1	240644-1	PLATE, REAR SHEAR	11
-	-	-	-	-	-	-	-	10
-	1	1	1	1	1	690482-4	PLATE, FRONT SHEAR	9
-	1	1	1	1	1	3-1633383-9	ANVIL, COMBINATION	8
-	1	1	1	1	1	690474-4	BLADE, SLUG	7
-	1	1	1	1	1	240641-3	SPACER	5
-	1	1	1	1	1	238009-3	BLOCK, FL CRIMPER SPACER	4
-	1	1	1	1	1	4-2119582-3	CRIMPER, INSULATION F PREMIUM	3
-	1	1	1	1	1	455888-1	SPACER, CRIMPER	2
-	1	1	1	1	1	1-456411-5	CRIMPER, WIRE PREMIUM	1

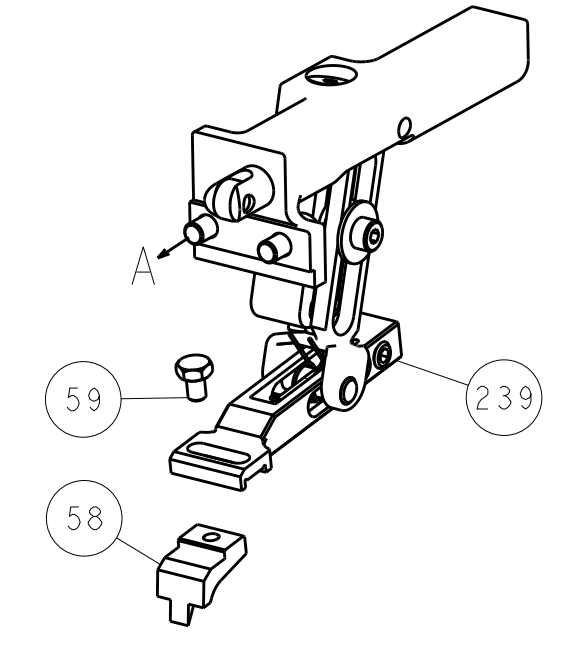
DIMENSIONS:	TOLERANCES UNLESS OTHERWISE SPECIFIED:	DATE	APPV	DESCRIPTION	DATE	OWN	APPV
mm	0 PLC ±.5 1 PLC ±.5 2 PLC ±.5 3 PLC ±.5 4 PLC ±.5 ANGLES ±.0001	28FEB2012	X ZHAO	TE Connectivity	28FEB2012	T. ELBIN	Harrisburg, PA 17105-3608
		28FEB2012	S. XI	Ocean End Feed Applicator	28FEB2012	Customer Accessible Production Drawing	
MATERIAL:	FINISH:	WEIGHT:	SCALE:	RESTRICTED TO:	SHEET 1 OF 4 REV B1		

LOC	DIST	REV	DATE	BY	CHKD	APVD
A	66					
REVISIONS			DESCRIPTION	DATE	BY	APVD
-			SEE SHEET 1	-	-	-

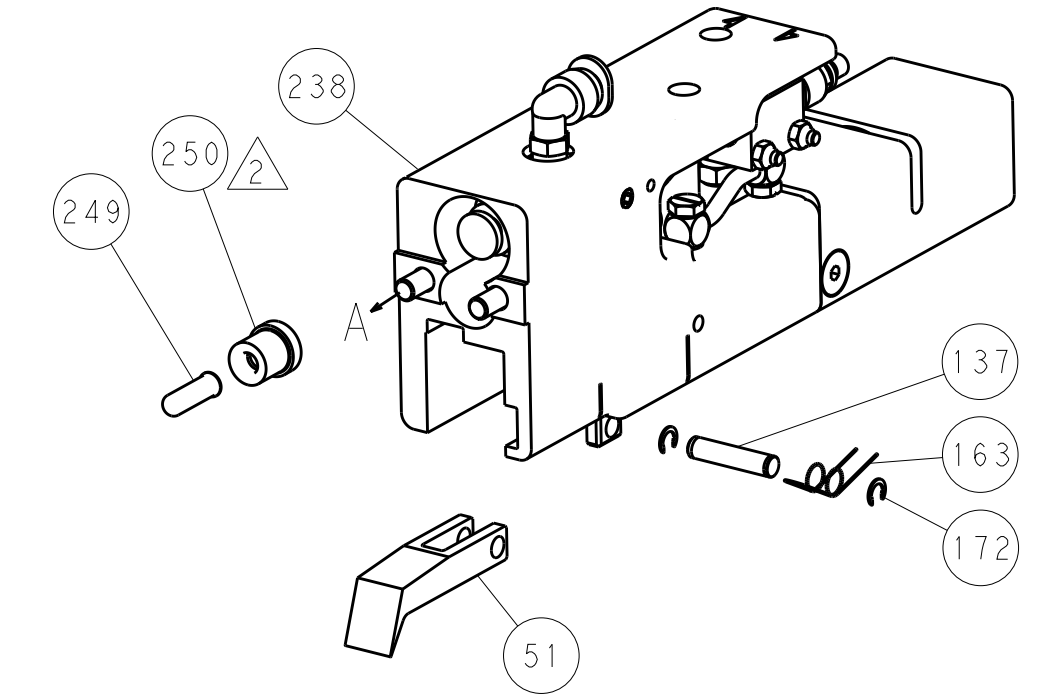


HOLDDOWN SET-UP

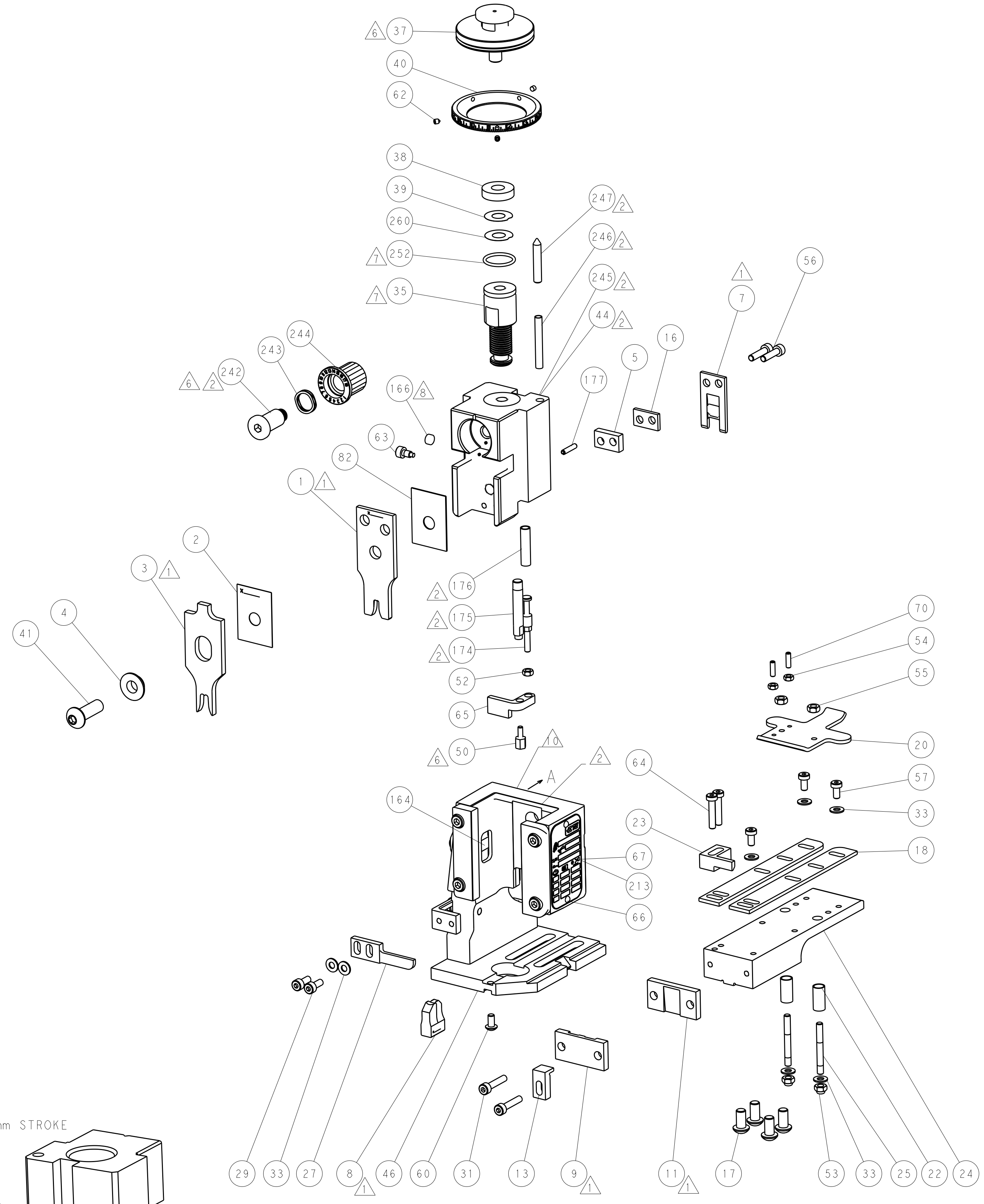
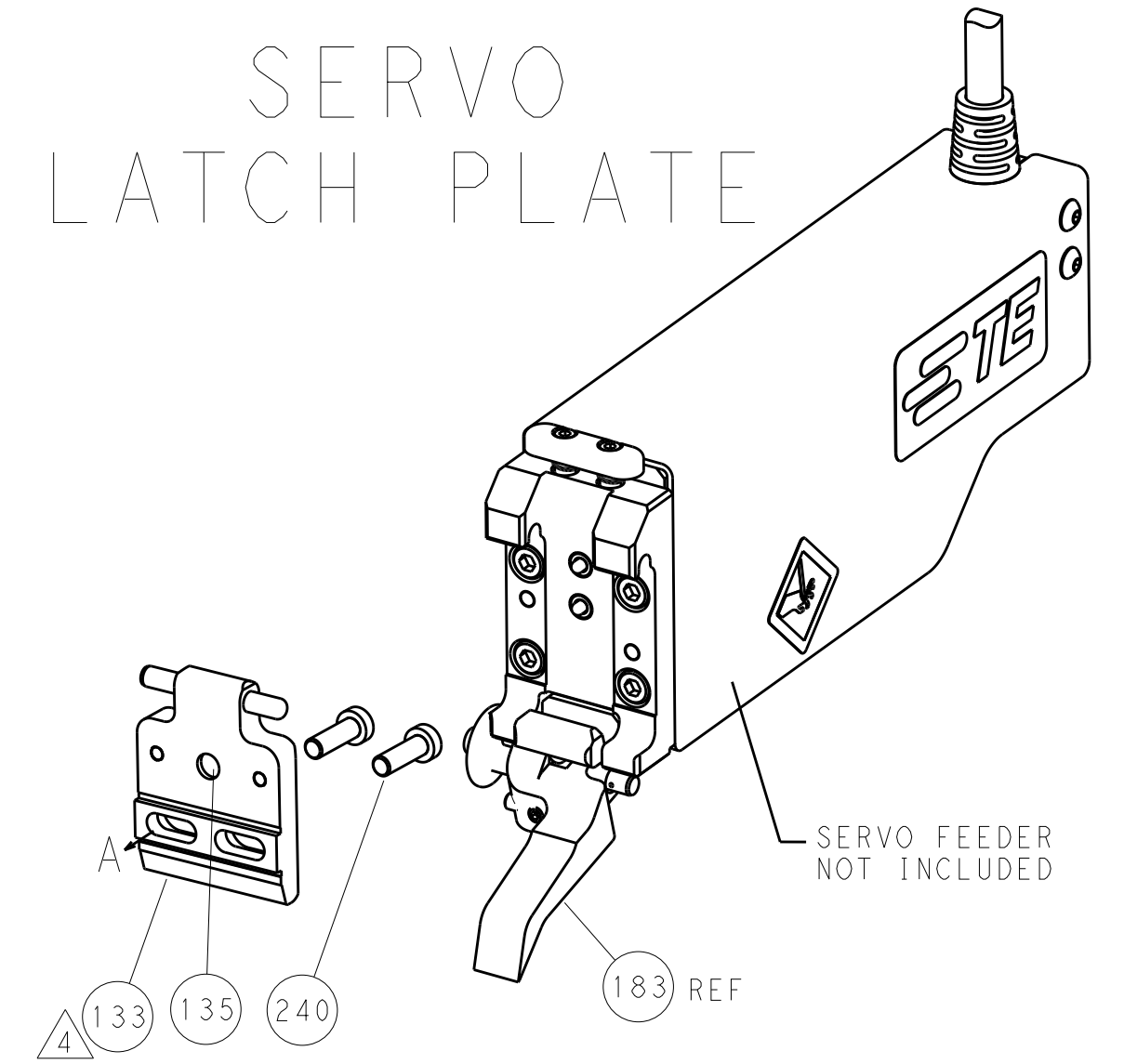
FEED TYPE
MECHANICAL



PNEUMATIC



SERVO
LATCH PLATE



CAM POSITIONS



ATLANTIC VERSION
 Shown on sheets 1 of 4 & 2 of 4
 (Pacific version shown on sheets 3 of 4 & 4 of 4)

DIMENSIONS:		TOLERANCES UNLESS OTHERWISE SPECIFIED:		DWG: X_ZHAO 28FEB2012		TE Connectivity	
mm		0 PLC ±0.5		CHK: T_ELBIN 28FEB2012		Harrisburg, PA 17105-3608	
Ø		1 PLC ±0.13		APVD: S_XI 28FEB2012		NAME: Ocean End Feed Applicator	
H		3 PLC ±0.013		PRODUCT SPEC:		SIZE: CAGE CODE DRAWING NO. RESTRICTED TO	
ANGLES		4 PLC ±0.001		APPLICATION SPEC:		A11 00779 ©=2150185	
FINISH:		5 PLC ±0.001		WEIGHT:		Customer Accessible Production Drawing	
MATERIAL:		6 PLC ±0.001		SCALE: 1:1		SHEET 2 OF 4 REV: B1	

PACIFIC VERSION TERMINATOR INTERFACE ADAPTER	PART NUMBER	REVISION	DESCRIPTION	FEED TYPE	APPLICATOR STYLE CONVERSION CHART						
					CONVERT TO	PART NUMBERS REQUIRED					
						PNEUMATIC FEED	2119950-1	2119792-1	-	2119641-2	-
	2-2150185-1	A	FINE CRIMP HEIGHT ADJUST	MECHANICAL	SERVO LATCH PLATE	2119951-1	1901697-1	8-2150185-5	-	-	2168400-7 (QUANTITY 2)
					SMART APPLICATOR	2161326-1	-	8-2150185-4	-	-	-
					MECHANICAL FEED	2119949-1	2063961-1	5-18022-5	2119653-2	-	-
	2-2150185-2	B	FINE CRIMP HEIGHT ADJUST	PNEUMATIC	SERVO LATCH PLATE	2119951-1	1901697-1	8-2150185-5	-	-	2168400-7 (QUANTITY 2)
					SMART APPLICATOR	2161326-1	-	8-2150185-4	-	-	-
					MECHANICAL FEED	2119949-1	2063961-1	5-18022-5	2119653-2	-	-
	2-2150185-5	A	FINE CRIMP HEIGHT ADJUST	SERVO LATCH PLATE	2119950-1	2119792-1	-	2119641-2	-	2063440-1	
	2-2150185-7	A	FINE CRIMP HEIGHT ADJUST	NONE	-	-	-	-	-	-	
	7-2150185-7	A	CRIMP TOOLING KIT	-	-	-	-	-	-	-	

APPLICATOR DATA		
CRIMP SIZE	TYPE	
WIRE 3.56 mm [1.40]	F	
INSUL 6.10 mm [2.40]	F	
APPLICATOR INSTRUCTIONS 408-10390		

TERMINAL DATA: TE TERMINAL		TE CRIMP SPECIFICATION	
TERMINAL NAME: RECEPTACLE, POSITIVE-LOCK, .250 SERIES			
WIRE STRIP LENGTH	INSULATION DIAMETER RANGE		
4.40-6.20 mm [1.73-.244 IN]	3.05-4.31 mm [1.120-.170 IN]		
TERMINAL APPLICATION SPECIFICATION	114-2074		
TERMINALS APPLIED			
TE TERMINAL	TE TERMINAL	TE TERMINAL	TE TERMINAL
1217095-1	1217095-2	1217092-1	1217092-2

WIRE SIZE	CRIMP HEIGHT mm [INCH]	CRIMP HEIGHT REFERENCE SETTING
(2)16AWG	1.78 +/- 0.05 [1.070 +/- .002]	8.4
1)16 AWG + (1)18 AWG	1.70 +/- 0.05 [1.067 +/- .002]	9.4
(2)18 AWG	1.60 +/- 0.05 [1.063 +/- .002]	10.5
16 AWG	1.50 +/- 0.05 [1.059 +/- .002]	11.2

- RECOMMENDED SPARE PARTS
- GREASE BEARING SURFACES LIGHTLY
- LUBRICATE DAILY PER THE APPLICATOR INSTRUCTION SHEET SUPPLIED WITH THE APPLICATOR.
- APPLICATOR SPECIFIC DATA TO BE ENTERED INTO BLANK MEMORY CHIP AT ASSEMBLY. SEE BELOW FOR PART NUMBER:
 MECHANICAL FEED WITH "SMART APPLICATOR" CONVERSION: 8-2150185-4
 PNEUMATIC FEED WITH "SMART APPLICATOR" CONVERSION: 8-2150185-4
 SERVO FEED WITH "FINE CRIMP HEIGHT ADJUST": 8-2150185-5
- ADJUSTMENT OF THE STRIPPER MAY BE REQUIRED WHEN MOVING THE APPLICATOR BETWEEN BENCH AND LEADMAKER APPLICATIONS.
- APPLY PART NUMBER 1-23419-5 LOCTITE TO THREADS OF ITEMS 50, 62. APPLY PART NUMBER 2-23419-6 LOCTITE TO THREADS OF ITEMS 242.
- GREASE THREADS, GROOVE AND O-RING ON ITEMS 139 & 153.
- MAGNET, ITEM 166 MUST BE ORIENTED CORRECTLY IN ORDER TO PROPERLY ACTUATE THE COUNTER.
- CRIMP HEIGHT REFERENCE SETTING WAS THE SETTING USED WHEN THE APPLICATOR WAS QUALIFIED AT THE FACTORY. ADJUSTMENT MAY BE NECESSARY WHEN RUNNING APPLICATOR IN THE FIELD.
- SPARE FEED CAM STORAGE LOCATION REFER TO INSTRUCTION SHEET FOR ADDITIONAL INFORMATION.
- THE RECOMMENDED SET-UP FOR END FEED APPLICATORS IS POST-FEED WITH ITEM 2119653-1. THE APPLICATOR CAN BE CONFIGURED FOR PRE-FEED WITH ITEM 2119652-1 BUT MAY ENCOUNTER PROBLEMS WITH SOME APPLICATIONS. FEED ISSUES OR TERMINAL JAMMING MAY OCCUR IN THE PRE-FEED CONFIGURATION.

***WARNING**
 ON INSTALLATION, SET WIRE DISC, ITEM 40 TO LARGEST WIRE SIZE SETTING. USE OF SETTINGS BELOW MINIMUM REQUIRED CRIMP HEIGHT SETTING WILL CAUSE DAMAGE TO CRIMP TOOLING.

	ITEM NO	DESCRIPTION	ITEM NO
- 1 1 1 1 1	2119782-1	FINE ADJUST HEAD ASM, PACIFIC STYLE	251
- - - 1 -	2119640-1	PUSH ROD, AIR FEED	250
- - - 1 -	2079988-1	BUSHING, LCH5-12, MISUMI	249
- 1 1 1 1 1	1-22279-3	SPRING, COMPRESSION	246
- 1 1 1 1 1	2119082-9	CAM, SNAIL, INSULATION ADJUSTMENT	244
- 1 1 1 1 1	2079764-1	WASHER, WAVE SPRING, CREST-TO-CREST	243
-77-27-25-22-21	PART NO	DESCRIPTION	ITEM NO

PACIFIC VERSION
 Shown on sheets 3 of 4 & 4 of 4
 (Atlantic version shown on sheets 1 of 4 & 2 of 4)

SET UP GAUGE	LOC	DIST	REVISIONS			
2119599-2	A	66	REV	DATE	BY	APPV
			-	SEE SHEET 1	-	-

- 1 1 1 1 1	2119083-1	RETAINER, INSULATION DIAL	242
- - 2 - -	2168400-7	SHCS, LOW HEAD, RoHS, M5 X 10	240
- - - 1 -	2119580-1	MECHANICAL FEED ASSEMBLY	239
- - - 1 -	2063440-1	AIR FEED MODULE	238
- - 1 - -	2119740-2	TAG, IDENTIFICATION	213
- 4 4 4 4	2079383-9	SCR, BHSC, RoHS (M6 X 20)	186
- - REF - -	1901697-1	FEED FINGER ASSEMBLY, EF	183
- 1 1 1 1 1	6-993111-6	PIN, SLOTTED SPRING 3.0 X 14.0	177
- 1 1 1 1 1	8-22280-7	SPRING, COMPRESSION	176
- 1 1 1 1 1	1752353-2	GUIDE PIN, HOLDDOWN	175
- 1 1 1 1 1	1901680-2	GUIDE PIN, HOLDDOWN	174
- - - 2 -	21045-3	RING, RETAIN, EXTERN, 3/16 CRESCENT	172
- 1 1 1 1 1	994969-1	MAGNET, RARE EARTH HIGH ENERGY	166
- REFREFREFREF	994970-2	COUNTER, MAGNETIC	164
- - - 1 -	240638-1	SPRING, FEED FINGER	163
- 1 1 1 1 1	8-21084-1	O-RING, .801 ID, .070 DIA. MAT.	153
- - - 1 -	2119641-2	FEED CAM, AIR FEED	152
- 1 1 1 1 1	2119798-2	DETENT PIN	145
- 1 1 1 1 1	2079383-8	SCR, BHSC, RoHS (M4 X 16)	144
- - - - 1	2119653-2	FEED CAM, POST FEED	142
- 1 1 1 1 1	2119655-6	APPLICATOR BASIC ASSEMBLY, EF	141
- 1 1 1 1 1	2119651-1	RAM, ASIAN STYLE, END FEED	140
- 1 1 1 1 1	2119092-2	BOLT, ADJUSTMENT	139
- - - 1 -	3-23627-7	PIN, RETAIN, GRVD, 3/16 X .854	137
- - REF - -	SEE NOTE 4	MEMORY CHIP, PROGRAMMED	135
- - 1 - -	1633743-1	SERVO FEED LATCH ASM	133
- 1 1 1 1 1	455888-5	SPACER, CRIMPER	82
- 1 1 1 1 1	2119956-2	DOCUMENTATION PACKAGE	71
- 2 2 2 2	2-18032-2	SCR, SET, FLT POINT M3 X 10.0	70
- 1 - 1 1 1	2119740-1	TAG, IDENTIFICATION	67
- 2 2 2 2	2168078-1	SCREW, DRIVE, RH, RoHS, 2 x .188	66
- 1 1 1 1 1	1901681-5	HOLDDOWN, TERMINAL	65
- 2 2 2 2	2168400-5	SHCS, LOW HEAD, RoHS, M4 X 20	64
- 1 1 1 1 1	2119793-1	LIMITER, ADJUSTMENT BOLT	63
- 3 3 3 3	992763-5	SCR, SET, SOC, CONE POINT, M3 x 4.0	62
- - - - 1	5-18022-5	SCR, HEX HD CAP, M4 X 6.0	59
- - - - 1	2063961-1	FEED FINGER	58
- 3 3 3 3	2168400-4	SHCS, LOW HEAD, RoHS, M4 X 8	57
- 2 2 2 2	2168083-8	SCR, SKT HD CAP, RoHS, M4 X 16	56
- 2 2 2 2	5018030-2	NUT, HEX, REG, RoHS, M4	55
- 2 2 2 2	5018030-1	NUT, HEX, REG, RoHS, M3	54
- 2 2 2 2	986965-8	NUT, LOCK, HEX, TORQUE (M4)	53
- 1 1 1 1 1	1-5018030-0	NUT, HEX, REG, RoHS, M3.5	52
- - - 1 -	2119792-2	PAWL, EF, AIR	51
- 1 1 1 1 1	1-1752354-1	STANDOFF, HOLD-DOWN	50
- - - 1 2	18023-9	SCR, SKT HD CAP M4 X 6.0	49
- - - - 1	2119652-1	FEED CAM, PRE FEED	48
- 1 1 1 1 1	2079383-7	SCR, BHSC, RoHS (M8 X 25)	41
- 1 1 1 1 1	2119645-1	DISC, NUMBERED FA WIRE ADJUSTMENT	40
- 1 1 1 1 1	2119957-1	APPLICATOR SHIM PACK	39
- 1 1 1 1 1	2119644-2	RAM WASHER, PRECISION	38
- 7 7 7 7	1-18028-2	WASHER, FLAT, REG M4	33
- 2 2 2 2	2168083-9	SCR, SKT HD CAP, RoHS, M4 X 20	31
- 2 2 2 2	1-2168083-0	SCR, SKT HD CAP, RoHS, M4 X 10	29
- 1 1 1 1 1	240639-1	STRIPPER (MACHINING)	27
- 2 2 2 2	1320906-1	STUD, THREADED	25
- 1 1 1 1 1	1752371-1	PLATE, STRIP GUIDE	24
- 1 1 1 1 1	240825-2	PLATE, STRIP HOLD DOWN	23
- 2 2 2 2	22281-9	SPRING, COMPRESSION	22
- 1 1 1 1 1	1752373-1	DRAG	20
- 2 2 2 2	1-1901259-0	GUIDE, LOWER STRIP	18
- 1 1 1 1 1	8-240641-4	SPACER	16
- 1 1 1 1 1	1752360-1	SPACER, HOLD-DOWN	13
- 1 1 1 1 1	240644-1	PLATE, REAR SHEAR	11
- - - - -	-	-	10
- 1 1 1 1 1	690482-4	PLATE, FRONT SHEAR	9
1 1 1 1 1 1	3-1633383-9	ANVIL, COMBINATION	8
- 1 1 1 1 1	690474-4	BLADE, SLUG	7
- 1 1 1 1 1	240641-3	SPACER	5
- 1 1 1 1 1	238009-3	BLOCK, FL CRIMPER SPACER	4
1 1 1 1 1 1	4-2119582-3	CRIMPER, INSULATION F PREMIUM	3
- 1 1 1 1 1	455888-1	SPACER, CRIMPER	2
1 1 1 1 1 1	1-456411-5	CRIMPER, WIRE PREMIUM	1
-77-27-25-22-21	PART NO	DESCRIPTION	ITEM NO

DIMENSIONS:		TOLERANCES UNLESS OTHERWISE SPECIFIED:		DWG		CHK		APPV	
mm	0 PLC ±.5	1 PLC ±.5	2 PLC ±.5	3 PLC ±.5	4 PLC ±.5	5 PLC ±.5	6 PLC ±.5	7 PLC ±.5	8 PLC ±.5
	ANGLES ±.0001								
MATERIAL	FINISH	WEIGHT	SCALE	DATE	REV	DATE	REV	DATE	REV
			1:1	28FEB2012	1	28FEB2012	1	28FEB2012	1

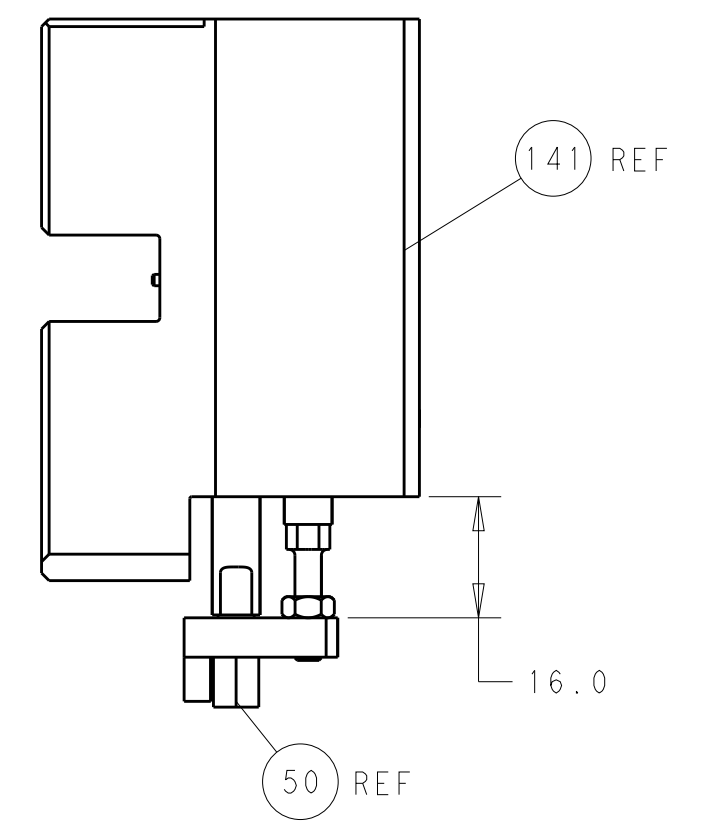
STE TE Connectivity
 Harrisburg, PA 17105-3608

Product Name: Ocean End Feed Applicator

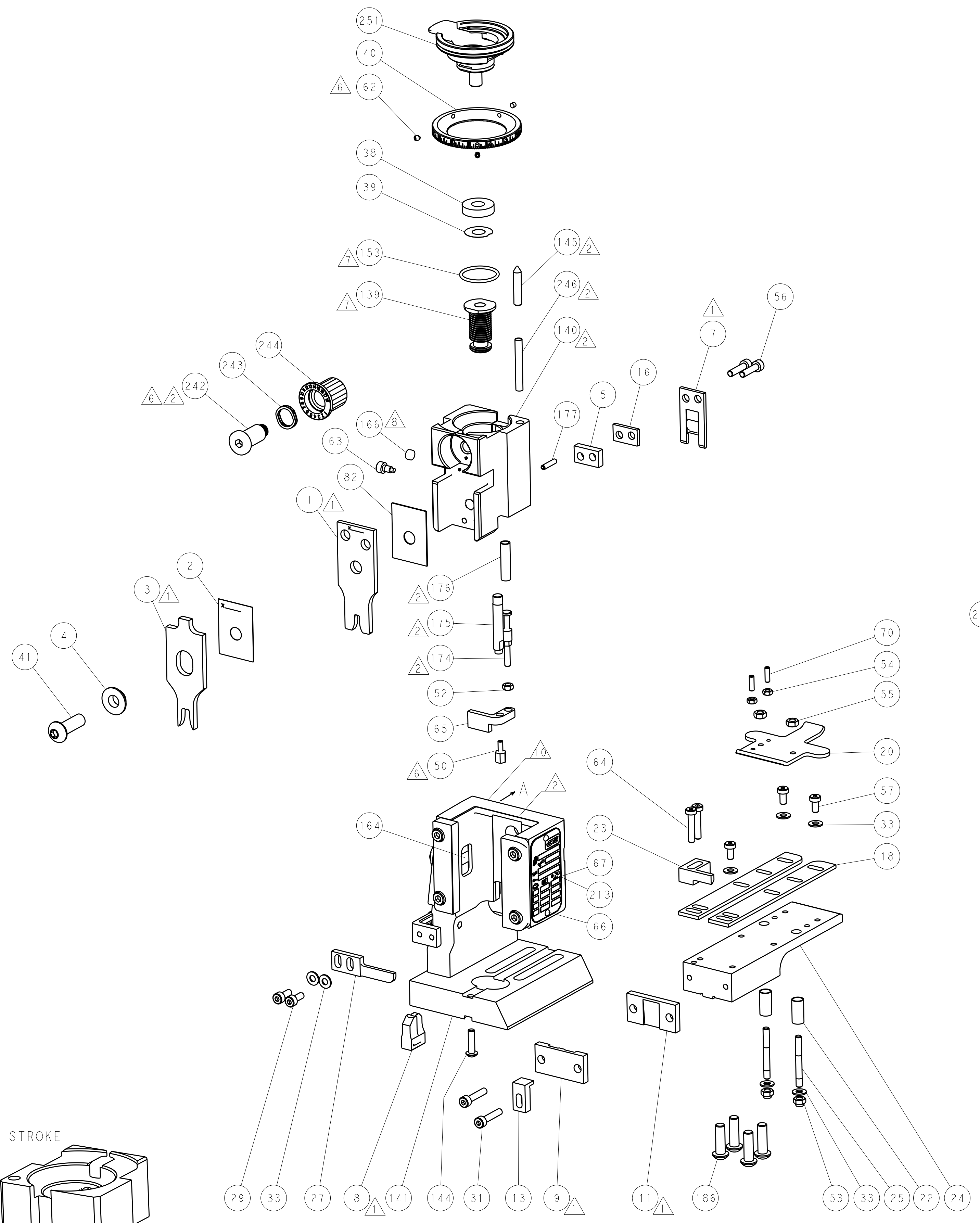
Customer Accessible Production Drawing

Customer Accessible Production Drawing SCALE 1:1 SHEET 3 OF 4 REV B1

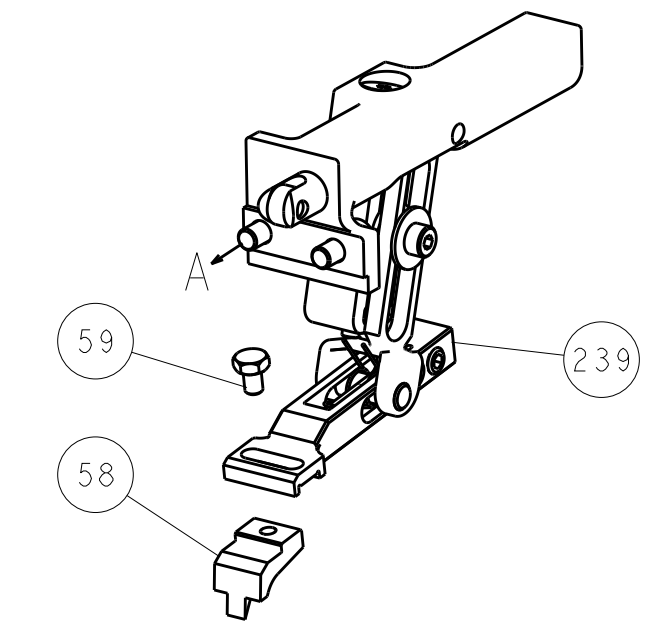
LOC	DIST	REV	DATE	BY	CHKD	APVD
A	66					
REVISIONS			DESCRIPTION	DATE	BY	APVD
-			SEE SHEET 1	-	-	-



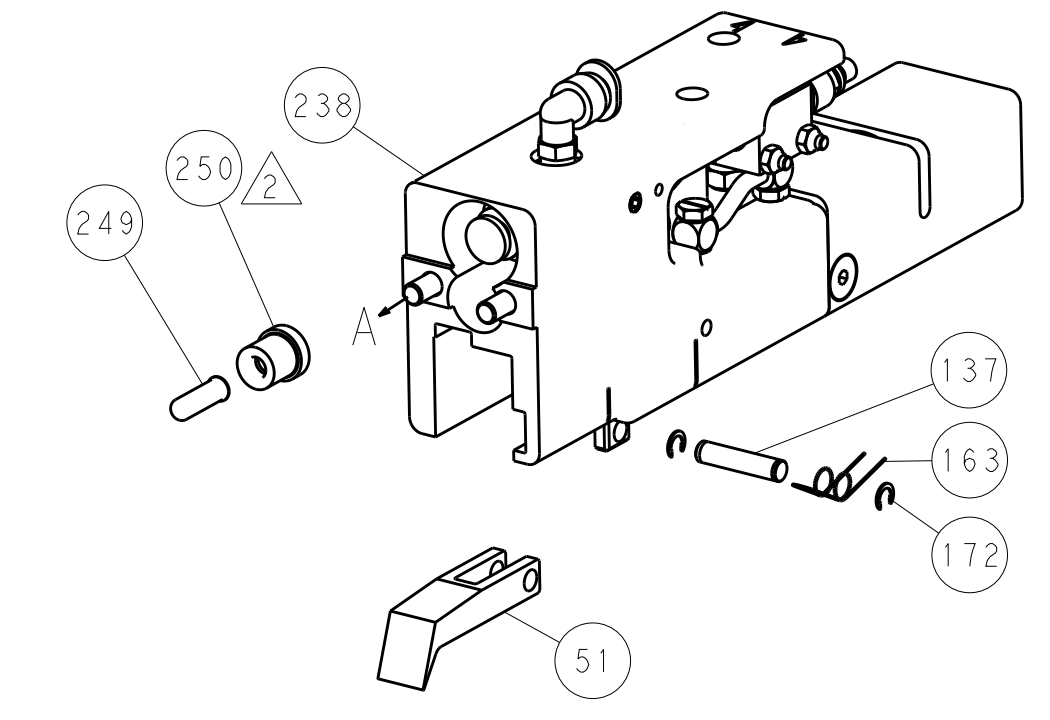
HOLDDOWN SET-UP



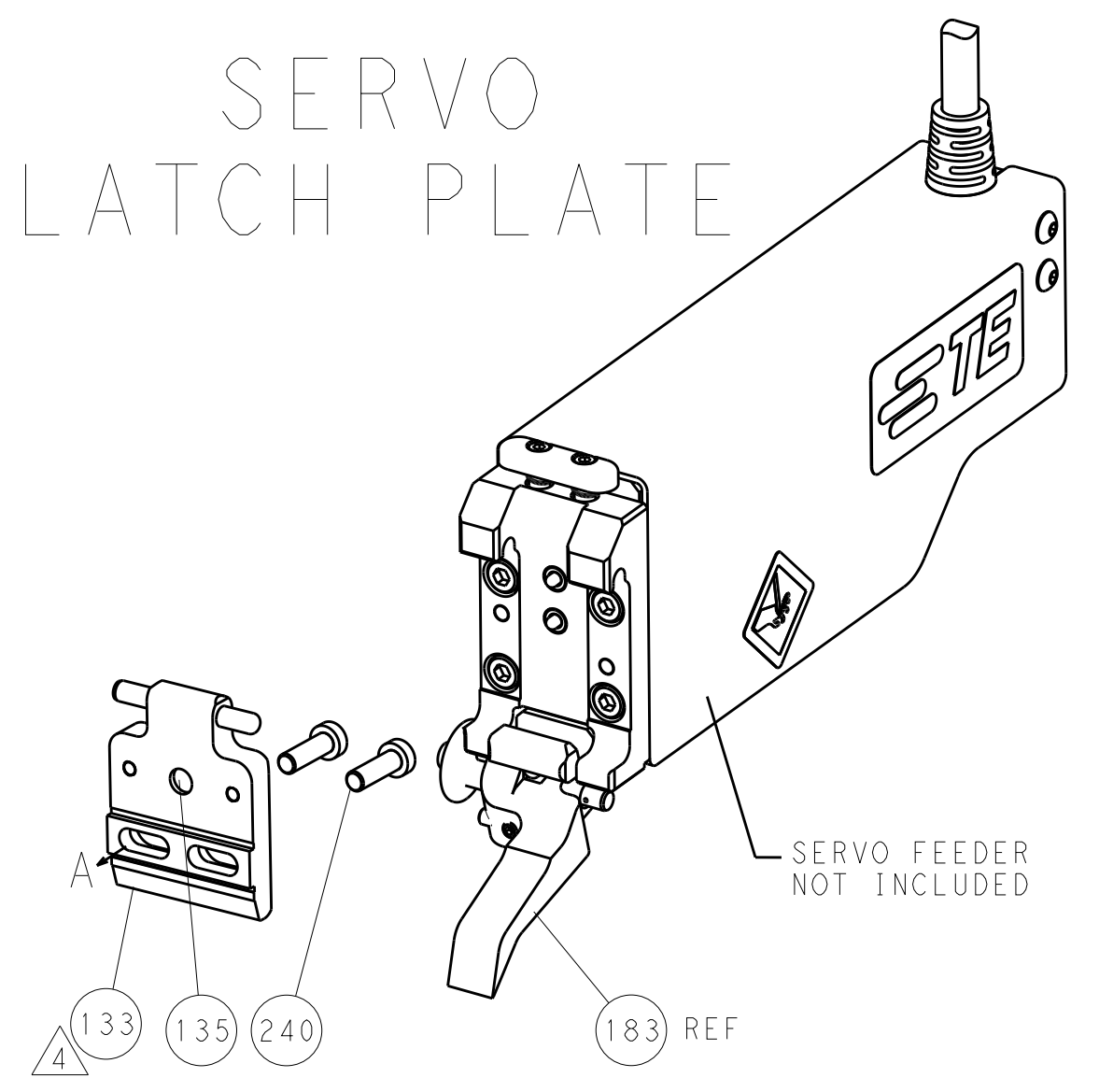
FEED TYPE
MECHANICAL



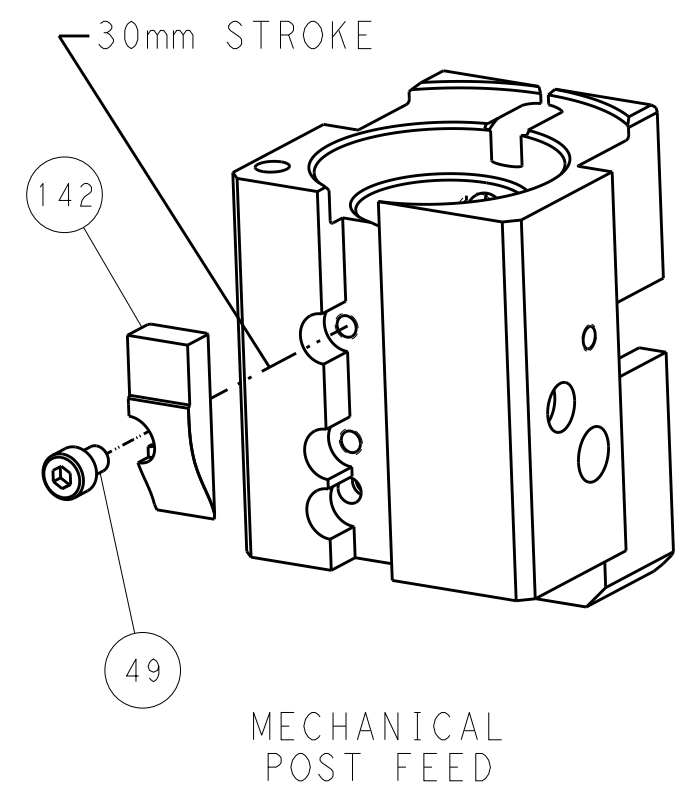
PNEUMATIC



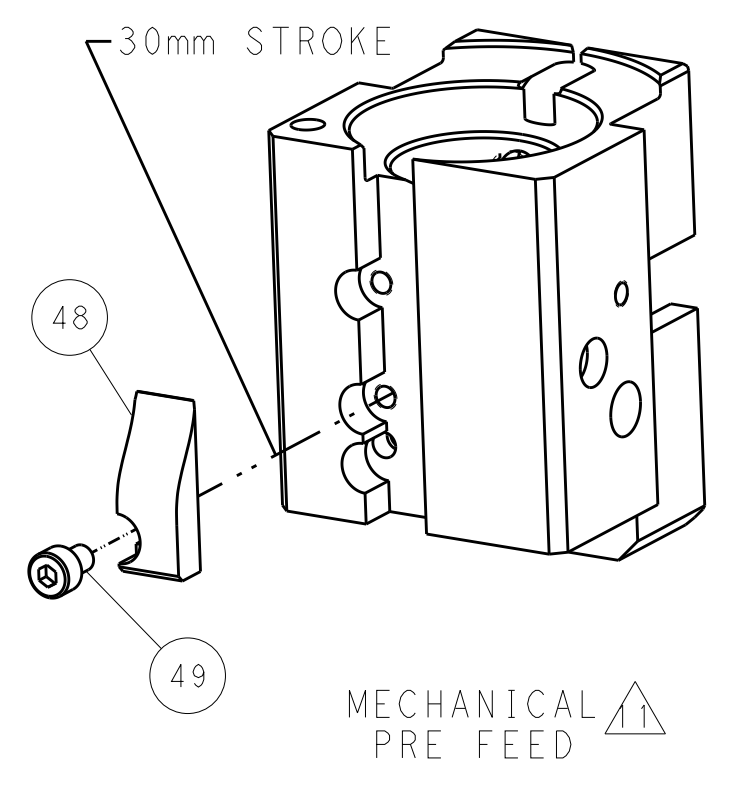
SERVO
LATCH PLATE



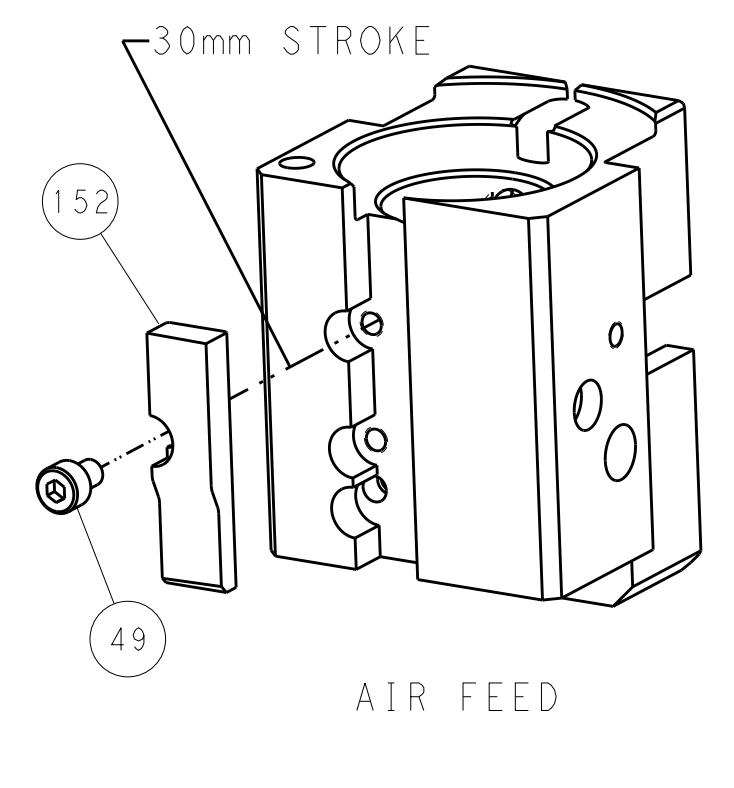
CAM POSITIONS



MECHANICAL
POST FEED



MECHANICAL
PRE FEED



AIR FEED

PACIFIC VERSION
 Shown on sheets 3 of 4 & 4 of 4
 (Atlantic version shown on sheets 1 of 4 & 2 of 4)

DIMENSIONS:		TOLERANCES UNLESS OTHERWISE SPECIFIED:		DWN X ZHAO 28FEB2012		TE Connectivity	
mm	0 PLC ±0.5	1 PLC ±0.13	2 PLC ±0.13	3 PLC ±0.013	4 PLC ±0.0013	5 PLC ±0.0013	Harrisburg, PA 17105-3608
MATERIAL:		FINISH:		APVD S XI 28FEB2012		NAME	
				PRODUCT SPEC		Ocean End Feed Applier	
				APPLICATION SPEC		SIZE CAGE CODE DRAWING NO	
				WEIGHT		A1 00779 C=2150185	
				Customer Accessible Production Drawing		SCALE 1:1 SHEET 4 OF 4 REV B1	