



## Main

|                     |             |
|---------------------|-------------|
| Product Range       | Legacy      |
| Product Type        | Power relay |
| Switch Function     | SPDT        |
| Contact Composition | 1 NC + 1 NO |

## Complementary

|                            |  |
|----------------------------|--|
| Input Current              | 15 A   |
| Contacts Material          | Silver alloy, gold flashed   |
| Local Signalling           | LED<br>Flag  |
| Minimum Switching Current  | 10 mA 17 V   |
| Coil Resistance            | 177 Ohm  |
| Input voltage              | 24 V AC  |
| Drop-out Voltage Threshold | $\geq 0.15 U_c$ AC<br>$\geq 0.1 U_c$ DC  |
| Rated Operational Current  | 15 A at 120...277 V AC conforming to UL<br>15 A at 28 V DC conforming to UL<br>15 A at 120/150 V AC conforming to CSA<br>10 A at 151/277 V AC conforming to CSA<br>15 A at 28 V DC conforming to CSA<br>15 A at 250 V AC (NO) conforming to IEC<br>15 A at 28 V DC (NO) conforming to IEC<br>7.55 A at 250 V AC (NC) conforming to IEC<br>7.55 A at 28 V DC (NC) conforming to IEC |
| Power consumption in W     | 1.4 W DC   |
| Power consumption in VA    | 1.9 VA AC  |
| Voltage Range              | 0.8...1.1 $U_n$ AC/DC  |
| Maximum Switching Voltage  | 300 V AC UL<br>300 V AC CSA<br>250 V AC IEC  |

|                       |  |
|-----------------------|--|
| Motor Power HP        | 0.5 hp 120 V AC 50-60 Hz<br>1 hp 277 V AC 50-60 Hz |
| Connections Terminals | Faston terminals                                   |
| Mounting              | Socket   |
| Height                | 1.39 in (35.3 mm)                                  |
| Width                 | 0.55 in (14 mm)                                    |
| Depth                 | 1.07 in (27.3 mm)                                  |
| Product Weight        | 1.02 oz (29 g)                                     |
| Operating Time        | 20 ms operating<br>20 ms tripping                  |

## Environment

|                                       |   |
|---------------------------------------|---|
| Ambient Air Temperature for Operation | -40...131 °F (-40...55 °C)  |
| Ambient Air Temperature for Storage   | -40...185 °F (-40...85 °C)  |
| Product Certifications                | UL<br>CE<br>CSA   |
| Electrical Durability                 | 100000 cycles resistive   |
| Mechanical Durability                 | 10000000 cycles   |
| Dielectric Strength                   | 2000 V AC between coil and contact<br>2000 V AC between poles<br>1500 V AC between contacts |
| Shock Resistance                      | 15 gn in operation  |
| Vibration Resistance                  | +/-1 mm 10...35 Hz)<br>3 gn 35...150 Hz)  |

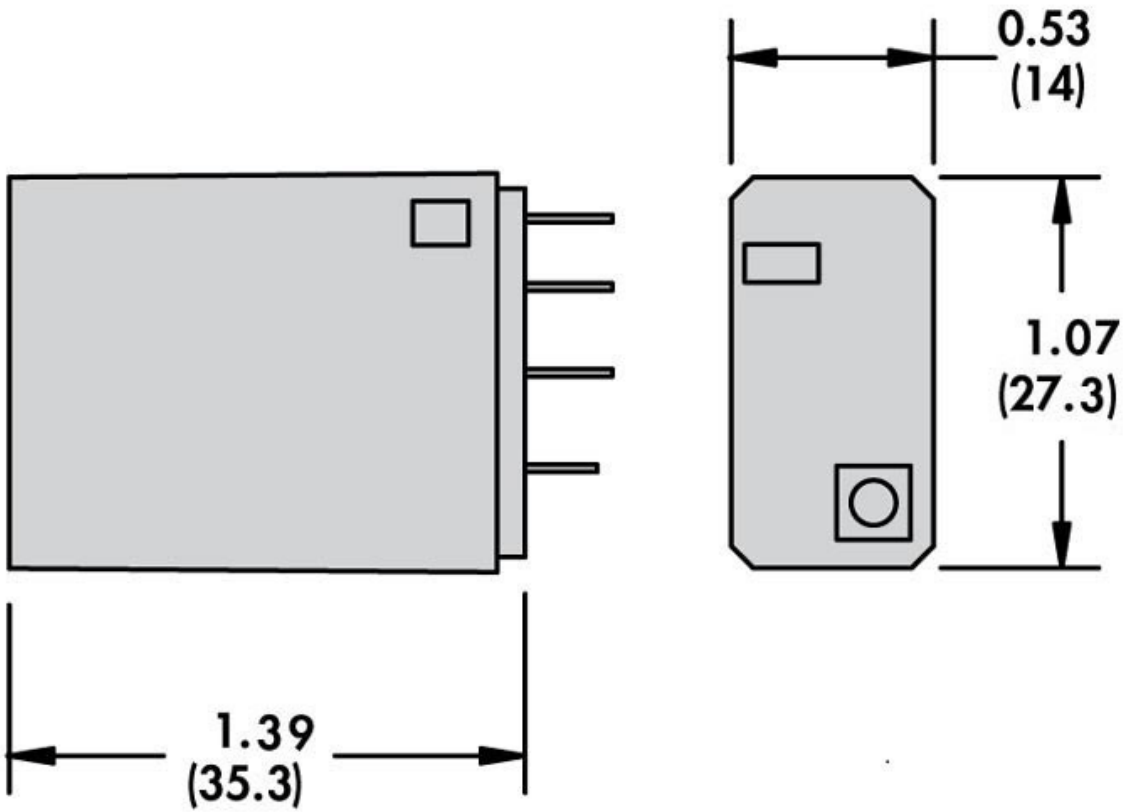
## Ordering and shipping details

|      |                |
|------|----------------|
| GTIN | 03606480780547 |
|------|----------------|

## Offer Sustainability

|                            |  |
|----------------------------|--|
| Sustainable offer status   | Green Premium product  |
| California proposition 65  | WARNING: This product can expose you to chemicals including: Nickel compounds, which is known to the State of California to cause cancer, and Di-isodecyl phthalate (DIDP), which is known to the State of California to cause birth defects or other reproductive harm. For more information go to <a href="http://www.P65Warnings.ca.gov">www.P65Warnings.ca.gov</a> |
| REACH Regulation           | <a href="#">REACH Declaration</a>  |
| REACH free of SVHC         | Yes  |
| EU RoHS Directive          | Pro-active compliance (Product out of EU RoHS legal scope)<br><a href="#">EU RoHS Declaration</a>  |
| Toxic heavy metal free     | Yes  |
| Mercury free               | Yes  |
| RoHS exemption information | <a href="#">Yes</a>  |
| China RoHS Regulation      | <a href="#">China RoHS declaration</a>   |
| Environmental Disclosure   | <a href="#">Product Environmental Profile</a>  |
| WEEE                       | The product must be disposed on European Union markets following specific waste collection and never end up in rubbish bins.   |

Approximate Dimensions



Connections and Wiring Diagrams

