

**PLEASE CHECK WWW.MOLEX.COM FOR LATEST PART INFORMATION**

**Part Number:** [1201140055](#)  
**Status:** **Active**  
**Overview:** [microchange m12 connectors](#)  
**Description:** Micro-Change® Molded Junction Box, Top Mount, 6 Ports, LEDs for PNP sensors, with Integral Mini-Change® Home Run Connector

**Documents:**

[Drawing \(PDF\)](#) [RoHS Certificate of Compliance \(PDF\)](#)

**Agency Certification**

CSA LR6837  
 UL E152210

**General**

Product Family Passive Distribution Boxes  
 Series [120114](#)  
 Comments PNP SENSORS  
 IP Rating IP68  
 NEMA Rating NEMA 6  
 Overview [microchange m12 connectors](#)  
 Product Name Micro-Change® (M12)

**Physical**

Bus I/O Micro-Change® (M12)  
 Cable Connector Orientation 90° Angle  
 Cable Length N/A  
 Home Run Cable Length N/A  
 Home Run Connector Mini-Change® - 12 pole  
 Home Run Interface Integrated Connector  
 Keyway Single  
 LED Indicator Yes  
 Material - Cable Jacket N/A  
 Material - Housing PBT  
 Material - Metal Copper Alloy  
 Material - Plating Mating Gold over Nickel  
 Orientation Top Mount  
 Poles 5  
 Poles (wired) 4  
 Ports 6  
 Temperature Range - Operating -25°C to +90°C  
 Wiring Configuration Single I/O per Port

**Electrical**

Current - Maximum per Contact 12A per module, 4A per port  
 Functional Wiring Parallel  
 Voltage - Maximum 10-30V DC

**Material Info**

Old Part Number BTY601P-FBB

**Reference - Drawing Numbers**

Sales Drawing SD-120114-077

**EU RoHS**

**RoHS Compliant by Exemption**  
**REACH SVHC**  
**Not Reviewed**  
**Halogen-Free Status**  
**Not Reviewed**

**China RoHS**



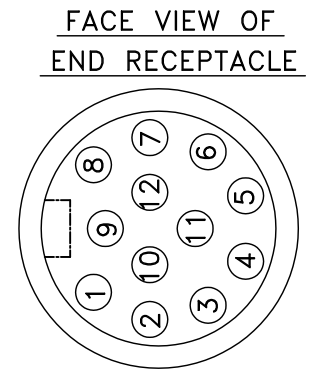
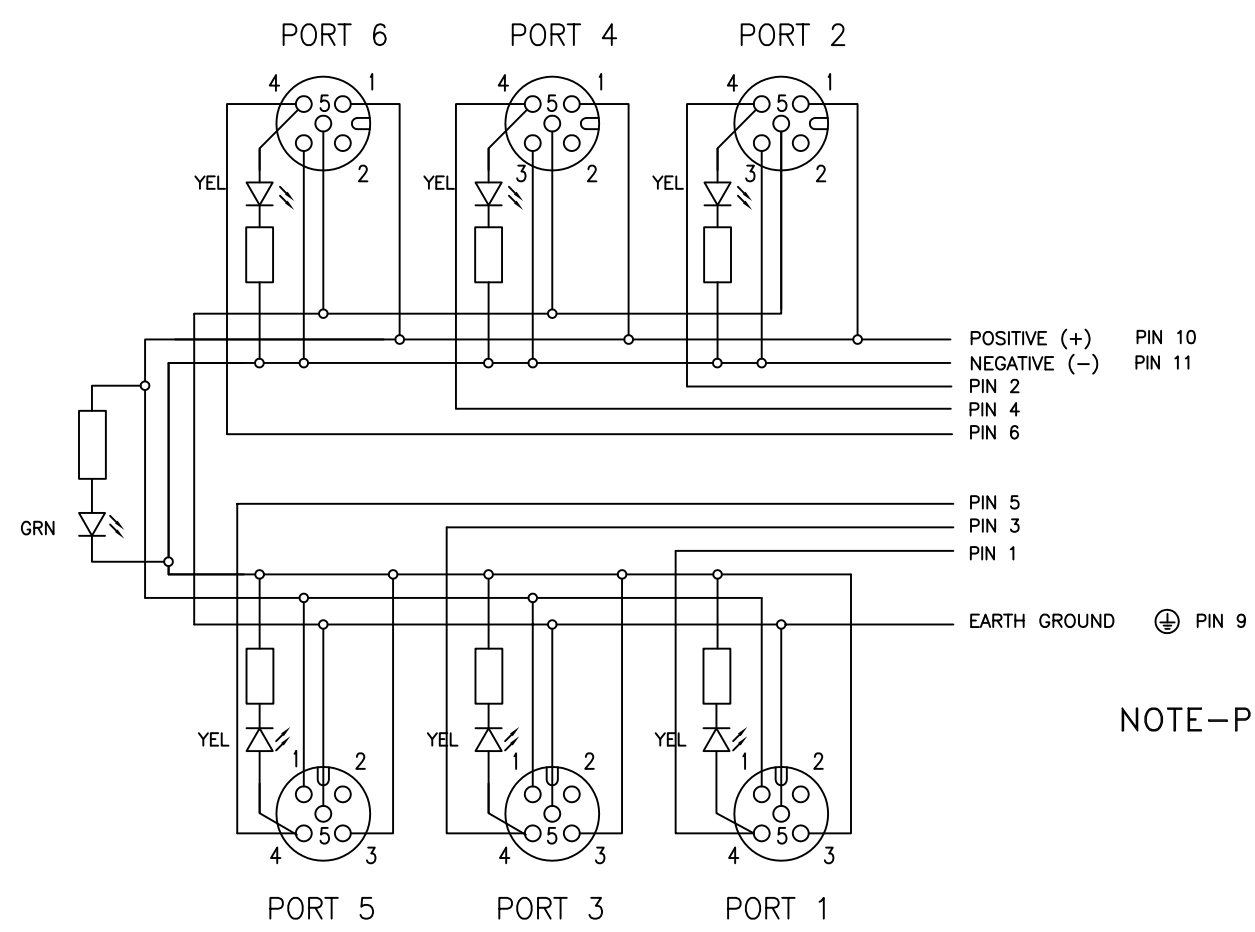
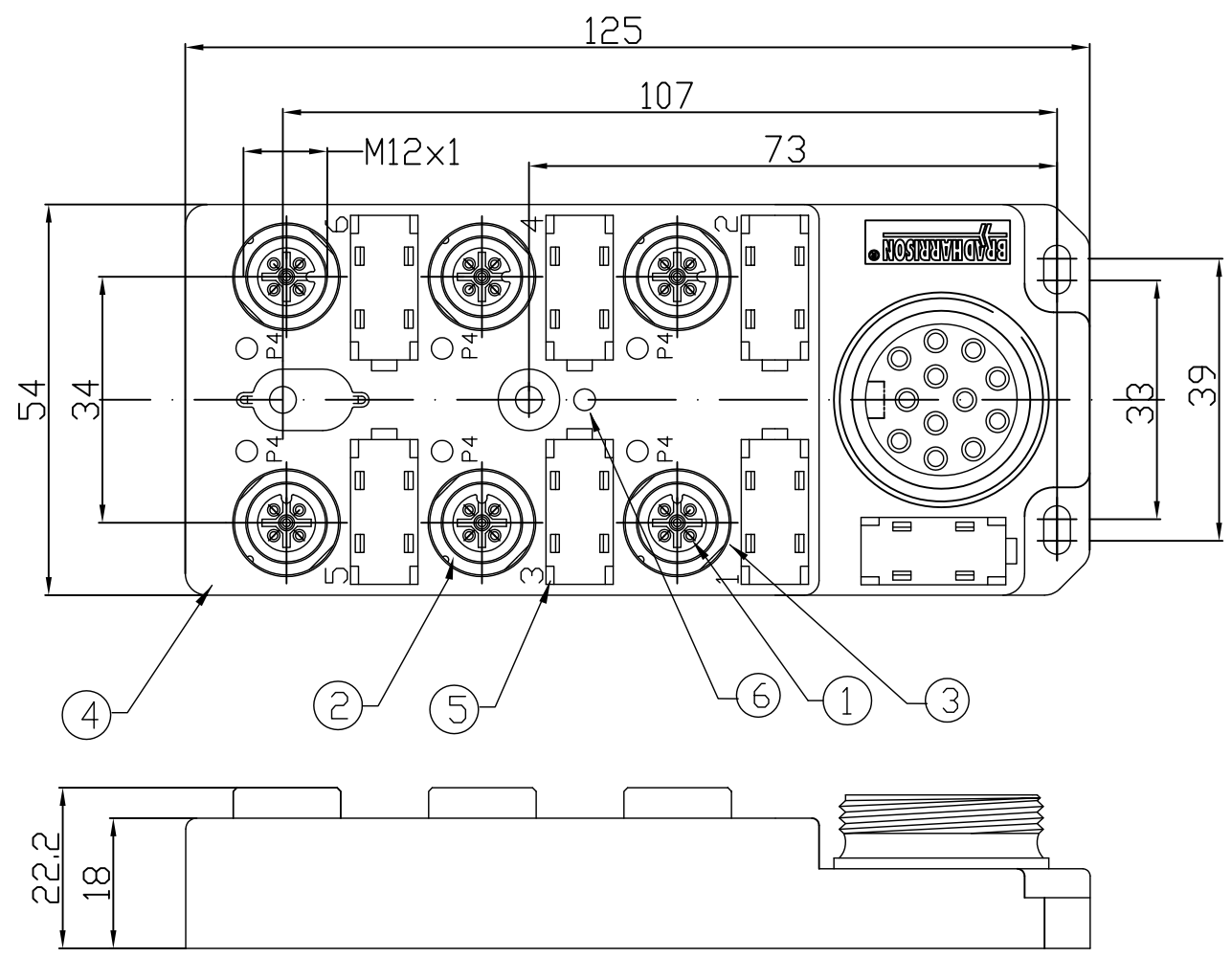
**Need more information on product environmental compliance?**

Email [productcompliance@molex.com](mailto:productcompliance@molex.com)  
 For a multiple part number RoHS Certificate of Compliance, [click here](#)

Please visit the [Contact Us](#) section for any non-product compliance questions.

**Search Parts in this Series**

[120114Series](#)



NOTE-PINS 7,8,12 NOT USED

MATERIAL NUMBER	OLD PART NUMBER	FINISHED LENGTH
1201140055	BTY601P-FBB	-

VOLTAGE RATING	10-30 VDC
AMPERAGE RATING PER PORT	4 A PER PORT, 12 AMPS MAX.
PROTECTION	IP67
OPERATING TEMPERATURE	-25°C TO 90°C
UL CERTIFICATIONS	UL RECOGNIZED, FILE NO. E46237
CSA CERTIFICATIONS	CSA CERTIFIED, FILE NO. LR6837

ITEM	COMPONENT	MATERIAL	FINISH
1	CONTACT SOCKET	COPPER ALLOY	GOLD OVER NICKEL
2	O-RING	VITON	RED
3	RECEPTACLE SHELL	BRASS	NICKEL PLATED
4	HOUSING	PBT	YELLOW
5	LABEL	ABS	WHITE
6	LENS	NYLON	CLEAR

DESCRIPTION EC NO.: WEU2010-0451 DRWN: LSTEMMLE 2010/03/22 CHKD: NS APPR: FPACHER 2010/03/23	QUALITY SYMBOLS ▽ = 0 ▽C = 0	GENERAL TOLERANCES (UNLESS SPECIFIED) mm INCH 4 PLACES ±--- ±--- 3 PLACES ±--- ±--- 2 PLACES ±--- ±.01 1 PLACE ±0.3 ±--- ANGULAR ± --- °	DIMENSION STYLE MM ONLY DRAWN BY DATE LSTEMMLE 2010/03/22 CHECKED BY DATE FP 2010/03/23 APPROVED BY DATE FPACHER 2010/03/23	SCALE 1:1 DESIGN UNITS METRIC THIRD ANGLE PROJECTION	MICRO-CHANGE MPIS 6 PORT PNP TWIN PORT 5P 12 P HARD SHELL CONN.
	DRAFT WHERE APPLICABLE MUST REMAIN WITHIN DIMENSIONS		SEE TABLE	MATERIAL NO. SD-120114-077	SHEET NO. 1 OF 1
	SIZE A3		THIS DRAWING CONTAINS INFORMATION THAT IS PROPRIETARY TO MOLEX INCORPORATED AND SHOULD NOT BE USED WITHOUT WRITTEN PERMISSION		
	MOLEX INCORPORATED				