

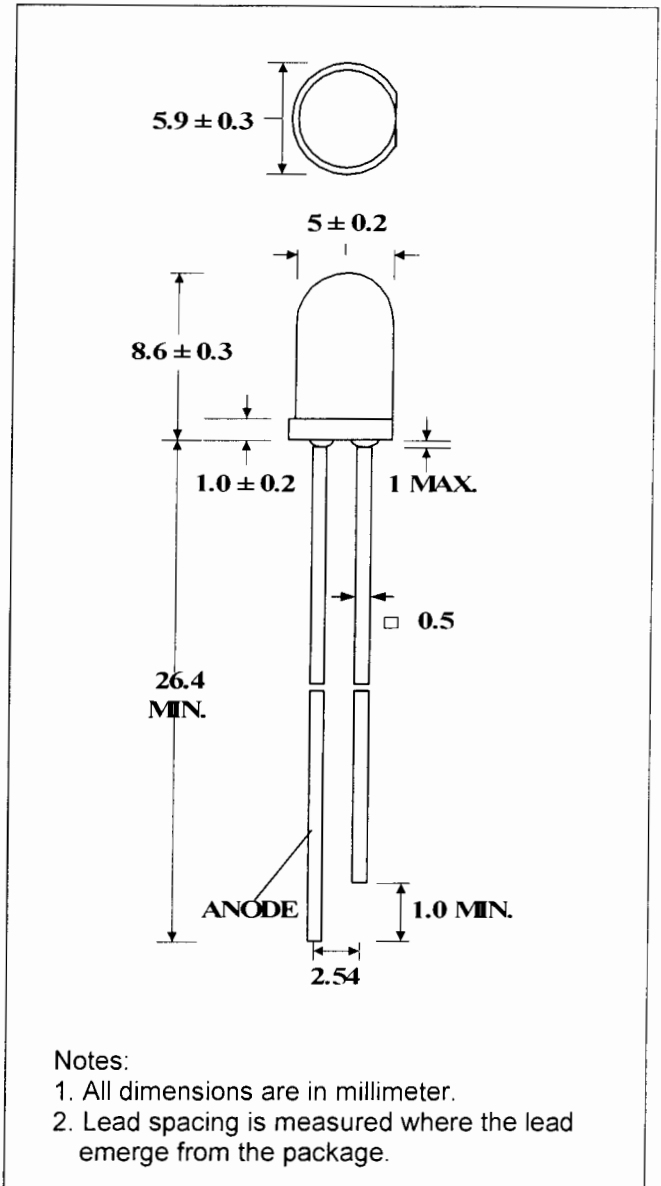
**B5-435-30S**

**DESCRIPTION**

- Super bright LED Lamp
- Round type
- T1-3/4 (5mm) diameter
- Lens color: Water Clear
- With Flange
- Solder leads without stand-off

**FEATURES**

- Emitted color: Super Amber
- High Luminous intensity
- Technology: AlGaInP
- Peak wavelength  $\lambda_p = 610\text{nm}$
- Viewing angle:  $15^\circ$



**SELECTION GUIDE**

Chip Material	Chip Emitted	Lens Color	Viewing Angle
AlGaInP	Super Amber	Water Clear	$15^\circ$

**B5-435-30S**

**ABSOLUTE MAXIMUM RATINGS**

(Ta=25 °C)

PARAMETER	SYMBOL	MAX. RATING	Unit
Power Dissipation	$P_D$	120	mW
Peak Forward Current (1/10 Duty Cycle @1KHz )	$I_{PF}$	100	mA
Continuous Forward Current	$I_{AF}$	50	mA
Reverse Voltage	$V_R$	5.0	V
Operating Temperature Range	$T_{OPR}$	-40~+85	°C
Storage Temperature Range	$T_{STG}$	-40~+85	°C

Solder temperature 1.6 mm from body for 3 seconds at 260 °C

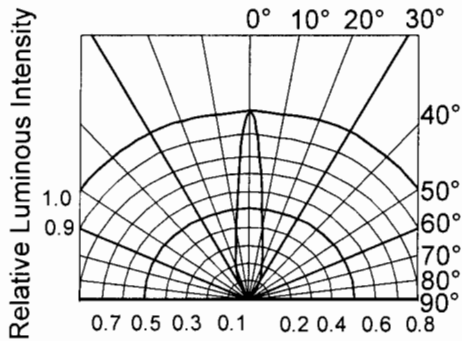
**OPTICAL-ELECTRICAL CHARACTERISTICS**

PARAMETER	SYMBOL	TEST CONDITION	MIN	TYP	MAX	UNIT
Luminous Intensity	$I_V$	$I_F = 20mA$	2600	4000		mcd
Forward Voltage	$V_F$	$I_F = 20mA$		2.0	2.4	V
Reverse Current	$I_R$	$V_R = 5V$			10	uA
Viewing Angle	$2\theta_{1/2}$	$I_F = 20mA$		15		deg.
Peak Wavelength	$\lambda_P$	$I_F = 20mA$		610		nm
Dominant Wavelength	$\lambda_D$	$I_F = 20mA$		605		nm
Spectrum Radiation Bandwidth	$\Delta\lambda$	$I_F = 20mA$		20		nm

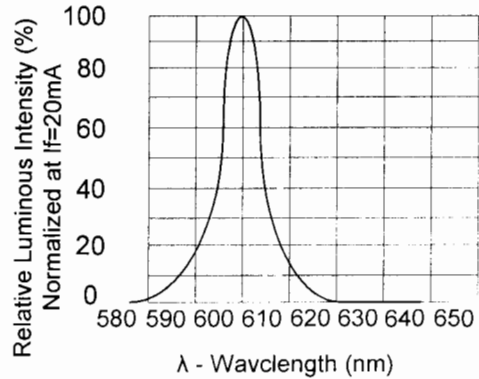
\*Tolerance of Viewing Angle: -10 / +5 deg.

**B5-435-30S**

**TYPICAL OPTICAL-ELECTRICAL CHARACTERISTIC CURVES**



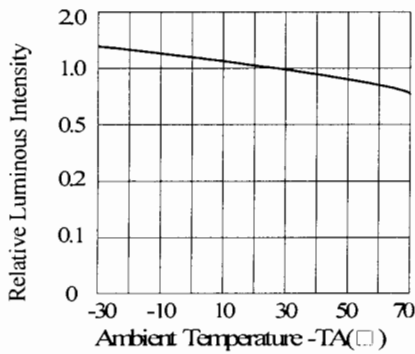
**RADIATION DIAGRAM**



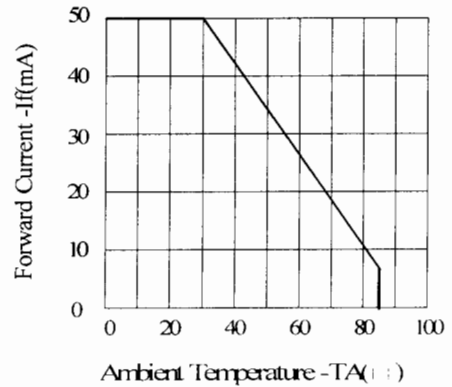
**EINBETT**

EN

**RELATIVE LUMINOUS INTENSITY Vs. WAVELENGTH**

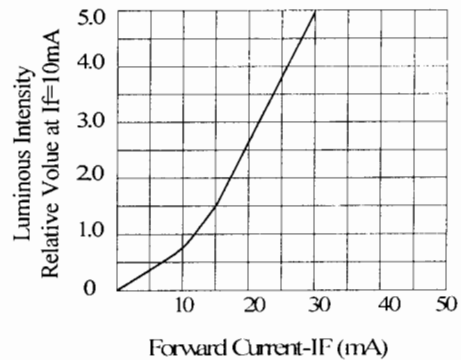
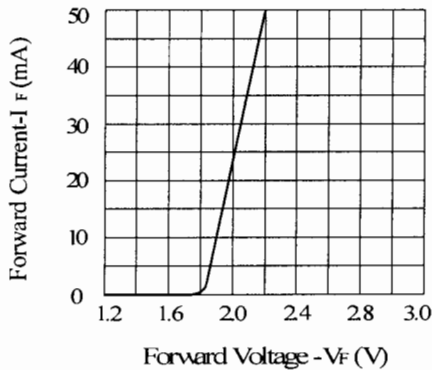


**EINBETTEN**



**LUMINOUS INTENSITY Vs. AMBIENT TEMPERATURE**

**FORWARD CURRENT Vs. AMBIENT TEMPERATURE**



**EINBETT**

EN