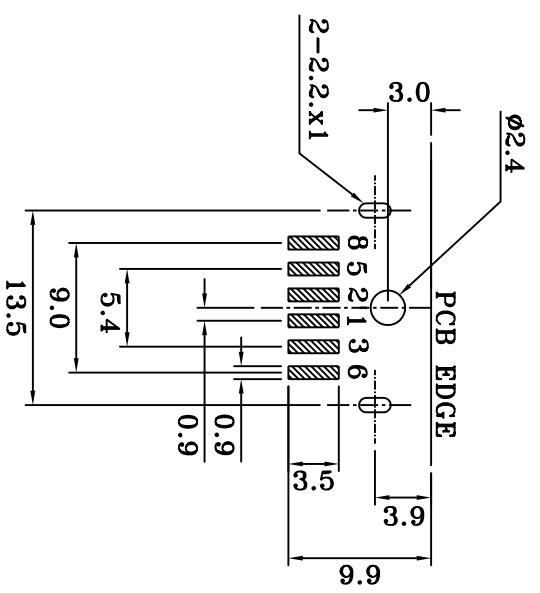
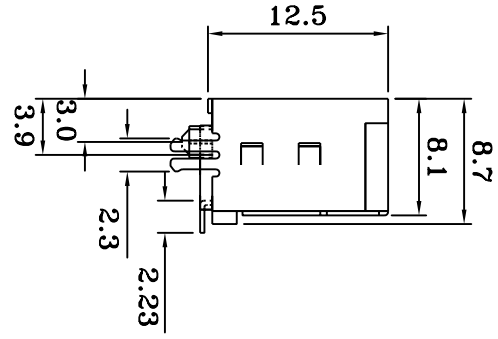
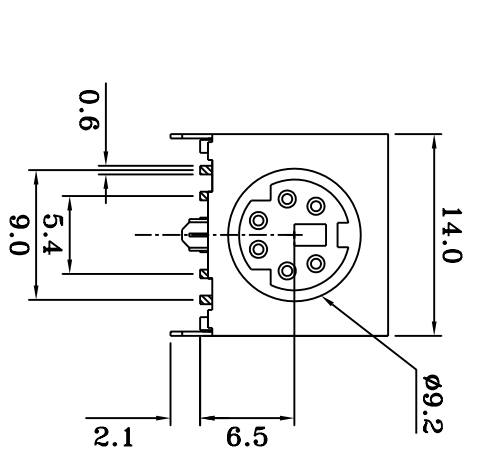
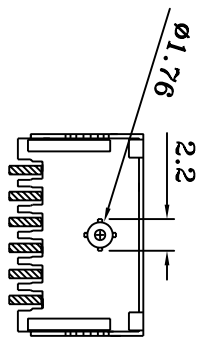
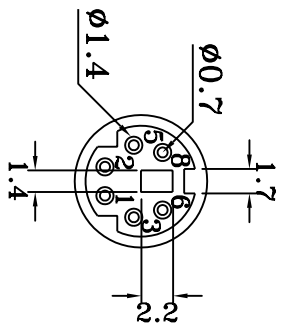


Rev	AWO #	Description	Date	Appr
-		RELEASED	04/11/05	

APPROVED: \_\_\_\_\_ TITLE: \_\_\_\_\_  
 DATE: \_\_\_\_\_



PCB LAYOUT  
(BOTTOM VIEW)



**SPECIFICATIONS:**

**Material:**  
 Insulator: Nylon PA9T, glass reinforced, rated UL 94V-0  
 Insulator color: Black  
 Contacts: Phosphor Bronze  
 Shield: Brass, Tin plated  
**Plating:**  
 Gold Flash over Nickel underplate on contact area, Tin over Copper underplate on PCB tails

**Electrical:**  
 Operating voltage: 100 VAC / 12 VDC max  
 Current rating: 1 Amp / 2 Ams max  
 Contact resistance: 20 mohms max  
 Insulation resistance: 500 Mohms min  
 Dielectric withstanding voltage: 500 VAC for 1 minute  
**Temperature Rating:**  
 Operating temperature: -25°C to +70°C  
 Environmental:  
 Lead free, RoHS compliant.  
 Recommended soldering temp: 260 for 5 sec.



UNLESS OTHERWISE SPECIFIED ALL DIMENSIONS ARE INCHES [MM]	
TOLERANCES: EXCEPT AS NOTED	
INCHES	HOLES
.X ± .10	Ø.X ± .10
.XX ± .020	Ø.XX ± .015
.XXX ± .015	Ø.XXX ± .010
APPROVALS	DATE
DRAWN	SS
CHECKED	
APPROVED	

<b>ADAM TECH</b>	
909 Rahway Avenue, Union, NJ 07083 Phone: 908-687-5000 Fax: 908-687-5710	
TITLE	MINI DIN, 6 POSITION, RIGHT ANGLE SLIMLINE, SURFACE MOUNT
SIZE	PART NO. MDJ-006-FS-SL-SMTA
REV.	