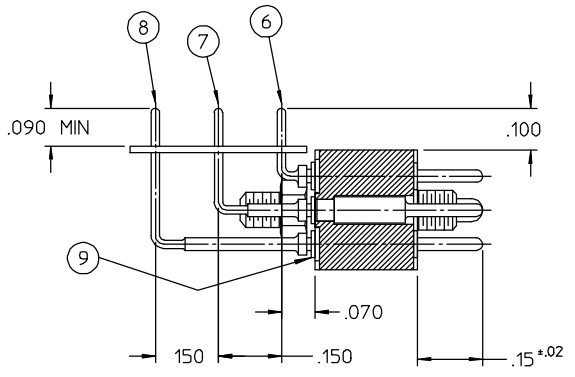
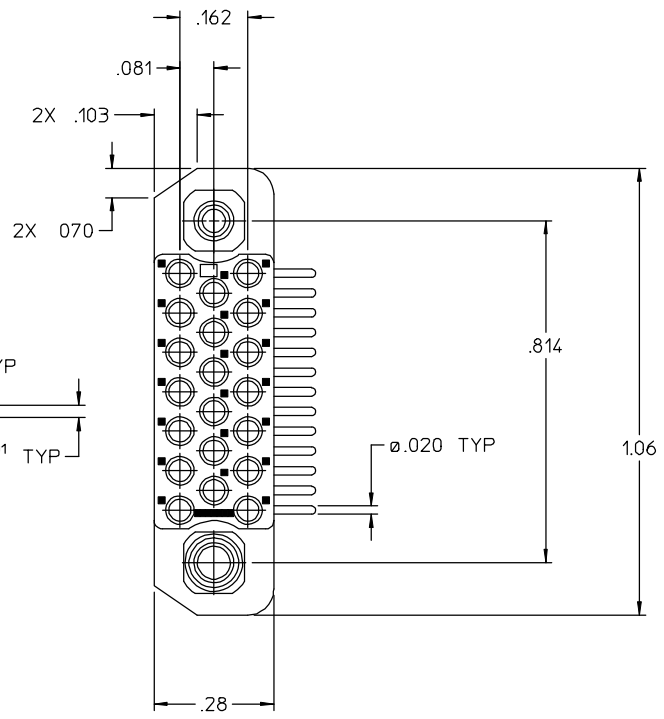
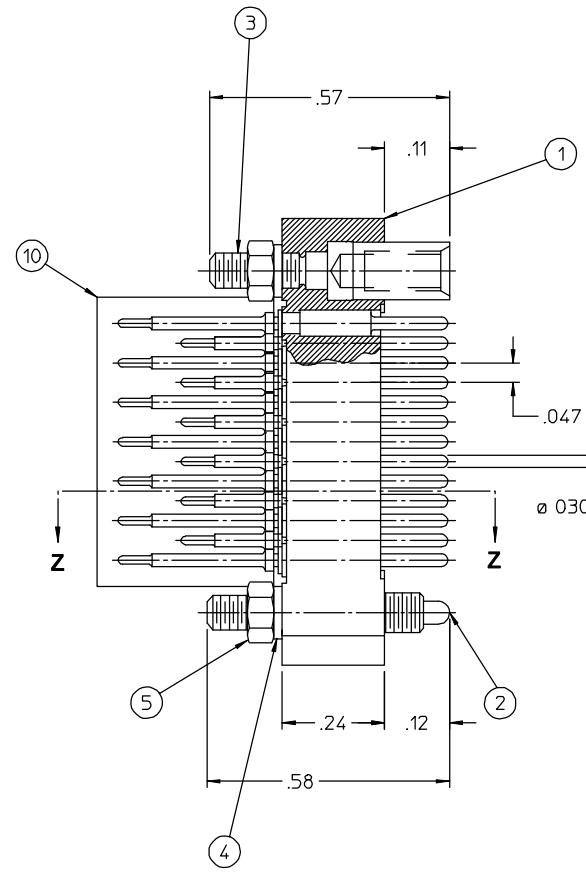


REV	DESCRIPTION	BY DATE	APPD
B	CHANGED CHAMFER ECR# 2387	DAVE 05/15/92	DAVE 05/29/92



Z-Z



ITEMS:

- ① MOLDING, MALE - DIALLYL ISOPHTHALATE
- ② JACKSCREW - STAINLESS STEEL
PASSIVATING DIP
- ③ JACKSOCKET - STAINLESS STEEL
PASSIVATING DIP
- ④ LOCKWASHER - PHOS. BRONZE
CADMIUM PLATE
- ⑤ NUT, HEX - #2-56, BRASS
CADMIUM PLATE
- ⑥ CONTACT, PIN (SHORT) } BRASS ROD
⑦ CONTACT, PIN (MED) } GOLD OVER NICKEL
⑧ CONTACT, PIN (LONG) }
- ⑨ CLIP SPRING - BERYLLIUM COPPER
GOLD OVER NICKEL
- ⑩ HEADER - TEFLON

CATALOG No SRE 20P113J 4172D SHOWN

PER ANSI Y14.5M-1982 UNLESS OTHERWISE SPECIFIED DIMENSIONS ARE IN INCHES OR INCHES / MM		Litton Winchester Electronics 400 PARK ROAD WATERTOWN, CONNECTICUT 06795
TOLERANCES DECIMALS xx ± .015 .xxx ± .005 ANGLES = 5° SCALE: 4:1	CUSTOMER DRAWING	
DRAWN: <i>AMG</i> DATE: 06/06/91 APPROVED: V.B. HARRIS 7/17/91	CHECKED: DONNA 7/17/92 APPROVED: T. LEUBA 7/19/91	PART NO: 26173 SHEET: 1 OF 1 REV: B