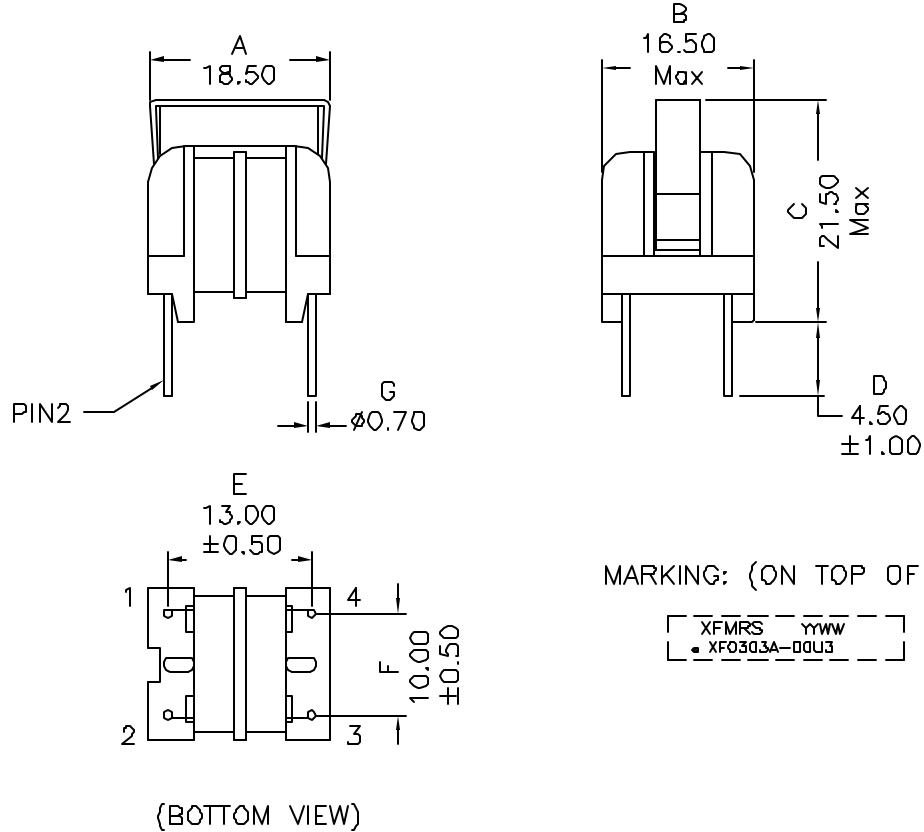
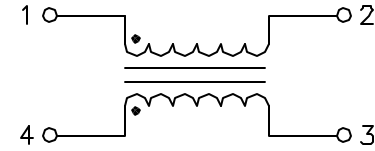


### 1. Dimensions:



### 2. Schematic:



### 3. Electrical Specifications:

OCL: 30mH Min @1KHz 1V Each Wdg.

Q: Pin 1-3 5 Min @1KHz 100mV ,Tie 2+4

DC Resistance: 1.73 Ohms Max Each Wdg.

Rated Voltage: 250VAC

Rated Current: 0.5Arms (Based on 35°C Temp Rise)

HI-POT: 3750VAC Wdg to Wdg at 2mA leakage current

Insulation Resistance: 100 MOhms Min

#### Notes:

1. Solderability: Leads shall meet MIL-STD-202G, Method 208H for solderability.
2. Flammability: UL94V-0
3. ASTM oxygen index: > 28%
4. Insulation System: Class F 155°C, UL file E151556
5. Operating Temperature Range: All listed parameters are to be within tolerance from -55°C to +105°C
6. Storage Temperature Range: -55°C to +125°C
7. Aqueous wash compatible
8. Electrical and mechanical specifications 100% tested
9. RoHS Compliant Component

DOC. REV. A/2

**PROPRIETARY** Document is the property of XFMRS Group & is not allowed to be duplicated without authorization.

XFMRS Inc www.XFMRS.com	Title: LINE FILTER	
	P/N: XF0303A-00U3	REV. A
UNLESS OTHERWISE SPECIFIED TOLERANCES: .xx ±0.25 Dimensions in MM	DWN.	Juan Mao Jun-06-08
	CHK.	YK Liao Jun-06-08
SHEET 1 OF 1	APP.	Joe Huff Jun-06-08