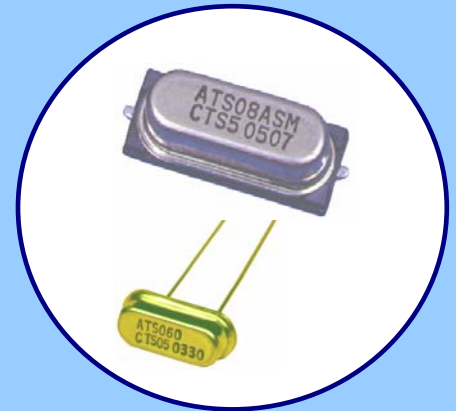




FEATURES

- Standard HC-49/US [thru-hole] and HC-49/US-SM [surface mount] Packages
- Stable Frequency Over Temperature and Drive Level
- **Fundamental and 3rd Overtone Crystals**
- Frequency Range 3.2 – 64 MHz
- Frequency Tolerance, ±30 ppm Standard
- Frequency Stability, ±50 ppm Standard
- Operating Temperature, -20°C to +70°C Standard, -40°C to +85°C Available
- Tape & Reel Packaging Available
- **RoHS/Green Compliant [6/6]**

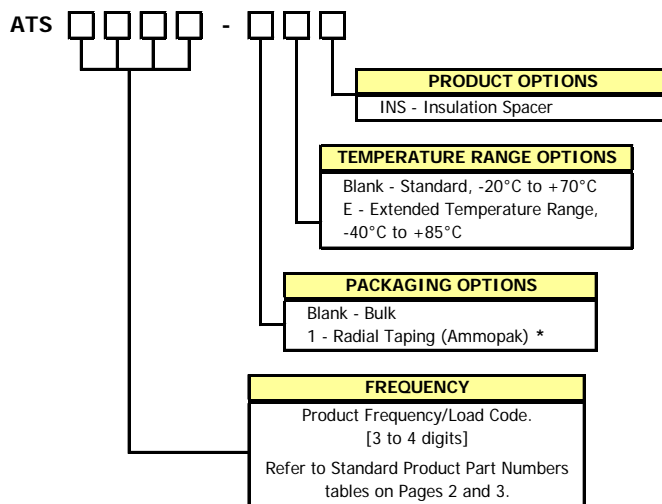


APPLICATIONS

The ATS/ATS-SM crystal series offers excellent long-term stability and reliability in a proven resistance-weld metal package. The excellent shock performance makes it suitable for microprocessor, telecommunication, industrial, consumer electronics and networking applications.

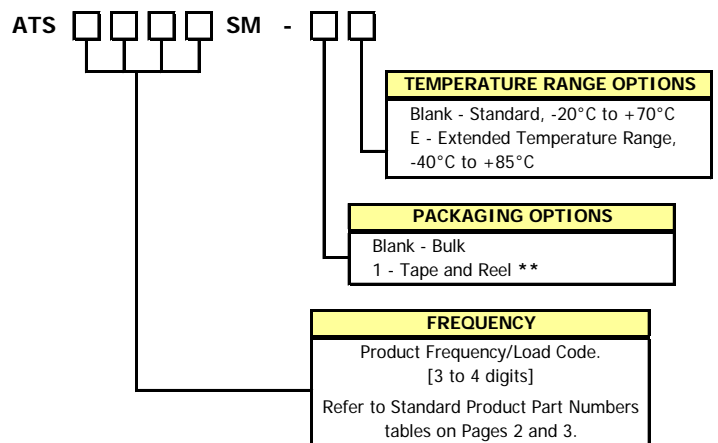
ORDERING INFORMATION

ATS



* Standard packaging is bulk in a bag.

ATS-SM



** Standard packaging is tape and reel.
CTS Distributors may use -T for tape and reel indicator.

Non-Standard Ordering Options

- Contact your local CTS Representative or CTS Inside Sales Representative for assistance.

STANDARD PRODUCT PART NUMBERS - ATS

Part numbers in **BOLD** are common stock items through CTS authorized distributors. Non-bold part numbers may be stocked or are available for order.

FREQUENCY (MHz)	PART NUMBER -20/70°C	PART NUMBER -40/85°C	LOAD CAPACITANCE	OPERATING MODE	FREQUENCY (MHz)	PART NUMBER -20/70°C	PART NUMBER -40/85°C	LOAD CAPACITANCE	OPERATING MODE
3.579545	ATS036B	ATS036B-E	Series	Fundamental	12.352000	ATS126	ATS126-E	Series	Fundamental
3.579545	ATS036	ATS036-E	18 pF	Fundamental	12.352000	ATS127	ATS127-E	20 pF	Fundamental
3.686400	ATS037A	ATS037A-E	Series	Fundamental	13.500000	ATS135	ATS135-E	20 pF	Fundamental
3.686400	ATS037	ATS037-E	20 pF	Fundamental	14.318180	ATS143	ATS143-E	Series	Fundamental
3.686400	ATS037B	ATS037B-E	18 pF	Fundamental	14.318180	ATS14A	ATS14A-E	20 pF	Fundamental
4.000000	ATS04A	ATS04A-E	Series	Fundamental	14.318180	ATS143B	ATS143B-E	18 pF	Fundamental
4.000000	ATS040	ATS040-E	20 pF	Fundamental	14.745600	ATS147	ATS147-E	Series	Fundamental
4.000000	ATS040B	ATS040B-E	18 pF	Fundamental	14.745600	ATS147A	ATS147A-E	20 pF	Fundamental
4.096000	ATS042A	ATS042A-E	20 pF	Fundamental	14.745600	ATS147B	ATS147B-E	18 pF	Fundamental
4.096000	ATS042B	ATS042B-E	18 pF	Fundamental	15.000000	ATS150	ATS150-E	Series	Fundamental
4.194304	ATS041C	ATS041C-E	12 pF	Fundamental	15.360000	ATS15A	ATS15A-E	20 pF	Fundamental
4.915200	ATS049A	ATS049A-E	Series	Fundamental	16.000000	ATS160	ATS160-E	Series	Fundamental
4.915200	ATS042	ATS042-E	20 pF	Fundamental	16.000000	ATS16A	ATS16A-E	20 pF	Fundamental
4.915200	ATS049B	ATS049B-E	18 pF	Fundamental	16.000000	ATS16B	ATS16B-E	18 pF	Fundamental
5.000000	ATS050C	ATS050C-E	Series	Fundamental	16.384000	ATS164B	ATS164B-E	18 pF	Fundamental
5.000000	ATS050A	ATS050A-E	20 pF	Fundamental	16.934400	ATS169	ATS169-E	20 pF	Fundamental
5.000000	ATS050B	ATS050B-E	18 pF	Fundamental	18.000000	ATS180A	ATS180A-E	20 pF	Fundamental
5.068800	ATS051	ATS051-E	Series	Fundamental	18.432000	ATS184	ATS184-E	Series	Fundamental
5.068800	ATS050	ATS050-E	20 pF	Fundamental	18.432000	ATS18A	ATS18A-E	20 pF	Fundamental
6.000000	ATS060A	ATS060A-E	Series	Fundamental	18.432000	ATS184B	ATS184B-E	18 pF	Fundamental
6.000000	ATS060	ATS060-E	20 pF	Fundamental	19.660800	ATS196	ATS196-E	Series	Fundamental
6.000000	ATS060B	ATS060B-E	18 pF	Fundamental	19.660800	ATS19A	ATS19A-E	20 pF	Fundamental
6.000000	ATS060C	ATS060C-E	32 pF	Fundamental	19.660800	ATS196B	ATS196B-E	18 pF	Fundamental
6.144000	ATS061	ATS061-E	20 pF	Fundamental	20.000000	ATS200	ATS200-E	Series	Fundamental
6.144000	ATS061B	ATS061B-E	18 pF	Fundamental	20.000000	ATS20A	ATS20A-E	20 pF	Fundamental
6.144000	ATS061C	ATS061C-E	32 pF	Fundamental	20.000000	ATS200C	ATS200C-E	18 pF	Fundamental
7.372800	ATS073A	ATS073A-E	Series	Fundamental	20.000000	ATS20B	ATS20B-E	50 pF	Fundamental
7.372800	ATS073	ATS073-E	20 pF	Fundamental	20.480000	ATS204	ATS204-E	20 pF	Fundamental
7.372800	ATS073B	ATS073B-E	18 pF	Fundamental	22.118400	ATS22A	ATS22A-E	20 pF	Fundamental
7.500000	ATS075	ATS075-E	Series	Fundamental	22.118400	ATS221B	ATS221B-E	18 pF	Fundamental
7.500000	ATS075A	ATS075A-E	20 pF	Fundamental	24.000000	ATS240	ATS240-E	Series	Fundamental
7.500000	ATS075B	ATS075B-E	18 pF	Fundamental	24.000000	ATS24A	ATS24A-E	20 pF	Fundamental
8.000000	ATS080	ATS080-E	Series	Fundamental	24.000000	ATS240B	ATS240B-E	18 pF	Fundamental
8.000000	ATS08A	ATS08A-E	20 pF	Fundamental	24.000000	ATS240C	ATS240C-E	12 pF	Fundamental
8.000000	ATS080B	ATS080B-E	18 pF	Fundamental	24.576000	ATS245	ATS245-E	Series	Fundamental
8.000000	ATS080C	ATS080C-E	32 pF	Fundamental	24.576000	ATS24B	ATS24B-E	20 pF	Fundamental
8.192000	ATS081B	ATS081B-E	18 pF	Fundamental	24.576000	ATS245A	ATS245A-E	18 pF	Fundamental
9.830400	ATS099	ATS099-E	Series	Fundamental	25.000000	ATS250	ATS250-E	Series	Fundamental
9.830400	ATS098	ATS098-E	20 pF	Fundamental	25.000000	ATS25A	ATS25A-E	20 pF	Fundamental
9.830400	ATS098B	ATS098B-E	18 pF	Fundamental	25.000000	ATS250B	ATS250B-E	18 pF	Fundamental
10.000000	ATS100	ATS100-E	Series	Fundamental	27.000000	ATS270A	ATS270A-E	20 pF	Fundamental
10.000000	ATS10A	ATS10A-E	20 pF	Fundamental	27.000000	ATS270B	ATS270B-E	18 pF	Fundamental
10.000000	ATS100B	ATS100B-E	18 pF	Fundamental	32.000000	ATS320	ATS320-E	Series	3rd Overtone
11.059200	ATS111A	ATS111A-E	Series	Fundamental	32.000000	ATS32A	ATS32A-E	20 pF	3rd Overtone
11.059200	ATS111	ATS111-E	20 pF	Fundamental	32.000000	ATS320B	ATS320B-E	18 pF	3rd Overtone
11.059200	ATS111B	ATS111B-E	18 pF	Fundamental	40.000000	ATS400	ATS400-E	Series	3rd Overtone
11.059200	ATS111C	ATS111C-E	32 pF	Fundamental	40.000000	ATS40A	ATS40A-E	20 pF	3rd Overtone
12.000000	ATS120	ATS120-E	Series	Fundamental	40.000000	ATS400B	ATS400B-E	18 pF	3rd Overtone
12.000000	ATS12A	ATS12A-E	20 pF	Fundamental	48.000000	ATS480A	ATS480A-E	20 pF	3rd Overtone
12.000000	ATS120B	ATS120B-E	18 pF	Fundamental	48.000000	ATS480B	ATS480B-E	18 pF	3rd Overtone
12.000000	ATS120C	ATS120C-E	32 pF	Fundamental	60.000000	ATS600A	ATS600A-E	20 pF	3rd Overtone
12.288000	ATS125	ATS125-E	Series	Fundamental	60.000000	ATS600B	ATS600B-E	18 pF	3rd Overtone
12.288000	ATS122	ATS122-E	20 pF	Fundamental	64.000000	ATS640A	ATS640A-E	20 pF	3rd Overtone
12.288000	ATS122B	ATS122B-E	18 pF	Fundamental	64.000000	ATS640B	ATS640B-E	18 pF	3rd Overtone
12.296000	ATS124	ATS124-E	Series	Fundamental					
12.296000	ATS123	ATS123-E	20 pF	Fundamental					
12.296000	ATS123B	ATS123B-E	18 pF	Fundamental					

STANDARD PRODUCT PART NUMBERS - ATS-SM

Part numbers in **BOLD** are common stock items through CTS authorized distributors. Non-bold part numbers may be stocked or are available for order.

FREQUENCY (MHz)	PART NUMBER -20/70°C	PART NUMBER -40/85°C	LOAD CAPACITANCE	OPERATING MODE	FREQUENCY (MHz)	PART NUMBER -20/70°C	PART NUMBER -40/85°C	LOAD CAPACITANCE	OPERATING MODE
3.579545	ATS036BSM-1	ATS036BSM-1E	Series	Fundamental	14.318180	ATS143SM-1	ATS143SM-1E	Series	Fundamental
3.579545	ATS036SM-1	ATS036SM-1E	18 pF	Fundamental	14.318180	ATS144SM-1	ATS144SM-1E	20 pF	Fundamental
3.686400	ATS037ASM-1	ATS037ASM-1E	Series	Fundamental	14.318180	ATS143BSM-1	ATS143BSM-1E	18 pF	Fundamental
3.686400	ATS037SM-1	ATS037SM-1E	20 pF	Fundamental	14.745600	ATS147SM-1	ATS147SM-1E	Series	Fundamental
3.686400	ATS037BSM-1	ATS037BSM-1E	18 pF	Fundamental	14.745600	ATS147ASM-1	ATS147ASM-1E	20 pF	Fundamental
4.000000	ATS04ASM-1	ATS04ASM-1E	Series	Fundamental	14.745600	ATS147BSM-1	ATS147BSM-1E	18 pF	Fundamental
4.000000	ATS04OSM-1	ATS04OSM-1E	20 pF	Fundamental	15.000000	ATS150SM-1	ATS150SM-1E	Series	Fundamental
4.000000	ATS04OBSM-1	ATS04OBSM-1E	18 pF	Fundamental	15.000000	ATS150BSM-1	ATS150BSM-1E	18 pF	Fundamental
4.096000	ATS042ASM-1	ATS042ASM-1E	20 pF	Fundamental	15.360000	ATS15ASM-1	ATS15ASM-1E	20 pF	Fundamental
4.096000	ATS042BSM-1	ATS042BSM-1E	18 pF	Fundamental	16.000000	ATS16OSM-1	ATS16OSM-1E	Series	Fundamental
4.194304	ATS041BSM-1	ATS041BSM-1E	18 pF	Fundamental	16.000000	ATS16ASM-1	ATS16ASM-1E	20 pF	Fundamental
4.194304	ATS041CSM-1	ATS041CSM-1E	12 pF	Fundamental	16.000000	ATS16BSM-1	ATS16BSM-1E	18 pF	Fundamental
4.915200	ATS049ASM-1	ATS049ASM-1E	Series	Fundamental	16.384000	ATS164BSM-1	ATS164BSM-1E	18 pF	Fundamental
4.915200	ATS042SM-1	ATS042SM-1E	20 pF	Fundamental	16.934400	ATS169SM-1	ATS169SM-1E	20 pF	Fundamental
4.915200	ATS049BSM-1	ATS049BSM-1E	18 pF	Fundamental	18.432000	ATS184SM-1	ATS184SM-1E	Series	Fundamental
5.000000	ATS050CSM-1	ATS050CSM-1E	Series	Fundamental	18.432000	ATS18ASM-1	ATS18ASM-1E	20 pF	Fundamental
5.000000	ATS050ASM-1	ATS050ASM-1E	20 pF	Fundamental	18.432000	ATS184BSM-1	ATS184BSM-1E	18 pF	Fundamental
5.000000	ATS05OBSM-1	ATS05OBSM-1E	18 pF	Fundamental	19.660800	ATS196SM-1	ATS196SM-1E	Series	Fundamental
5.068800	ATS051SM-1	ATS051SM-1E	Series	Fundamental	19.660800	ATS19ASM-1	ATS19ASM-1E	20 pF	Fundamental
5.068800	ATS05OSM-1	ATS05OSM-1E	20 pF	Fundamental	19.660800	ATS196BSM-1	ATS196BSM-1E	18 pF	Fundamental
6.000000	ATS060ASM-1	ATS060ASM-1E	Series	Fundamental	20.000000	ATS20OSM-1	ATS20OSM-1E	Series	Fundamental
6.000000	ATS06OSM-1	ATS06OSM-1E	20 pF	Fundamental	20.000000	ATS20ASM-1	ATS20ASM-1E	20 pF	Fundamental
6.000000	ATS06OBSM-1	ATS06OBSM-1E	18 pF	Fundamental	20.000000	ATS20OCSM-1	ATS20OCSM-1E	18 pF	Fundamental
6.000000	ATS060CSM-1	ATS060CSM-1E	32 pF	Fundamental	20.000000	ATS20BSM-1	ATS20BSM-1E	50 pF	Fundamental
6.144000	ATS061SM-1	ATS061SM-1E	20 pF	Fundamental	20.480000	ATS204SM-1	ATS204SM-1E	20 pF	Fundamental
6.144000	ATS061BSM-1	ATS061BSM--1E	18 pF	Fundamental	22.118400	ATS22ASM-1	ATS22ASM-1E	20 pF	Fundamental
6.144000	ATS061CSM-1	ATS061CSM-1E	32 pF	Fundamental	22.118400	ATS221BSM-1	ATS221BSM-1E	18 pF	Fundamental
7.372800	ATS073ASM-1	ATS073ASM-1E	Series	Fundamental	22.579200	ATS225BSM-1	ATS225BSM-1E	18 pF	Fundamental
7.372800	ATS073SM-1	ATS073SM-1E	20 pF	Fundamental	24.000000	ATS240SM-1	ATS240SM-1E	Series	Fundamental
7.372800	ATS073BSM-1	ATS073BSM-1E	18 pF	Fundamental	24.000000	ATS24ASM-1	ATS24ASM-1E	20 pF	Fundamental
8.000000	ATS080SM-1	ATS080SM-1E	Series	Fundamental	24.000000	ATS240BSM-1	ATS240BSM-1E	18 pF	Fundamental
8.000000	ATS08ASM-1	ATS08ASM-1E	20 pF	Fundamental	24.000000	ATS240CSM-1	ATS240CSM-1E	12 pF	Fundamental
8.000000	ATS08OBSM-1	ATS08OBSM-1E	18 pF	Fundamental	24.576000	ATS245SM-1	ATS245SM-1E	Series	Fundamental
8.000000	ATS080CSM-1	ATS080CSM-1E	32 pF	Fundamental	24.576000	ATS24BSM-1	ATS24BSM-1E	20 pF	Fundamental
8.192000	ATS081BSM-1	ATS081BSM-1E	18 pF	Fundamental	24.576000	ATS245ASM-1	ATS245ASM-1E	18 pF	Fundamental
9.830400	ATS099SM-1	ATS099SM-1E	Series	Fundamental	25.000000	ATS250SM-1	ATS250SM-1E	Series	Fundamental
9.830400	ATS098SM-1	ATS098SM-1E	20 pF	Fundamental	25.000000	ATS25ASM-1	ATS25ASM-1E	20 pF	Fundamental
9.830400	ATS098BSM-1	ATS098BSM-1E	18 pF	Fundamental	25.000000	ATS250BSM-1	ATS250BSM-1E	18 pF	Fundamental
10.000000	ATS100SM-1	ATS100SM-1E	Series	Fundamental	26.000000	ATS260ASM-1	ATS260ASM-1E	20 pF	Fundamental
10.000000	ATS10ASM-1	ATS10ASM-1E	20 pF	Fundamental	26.000000	ATS260BSM-1	ATS260BSM-1E	18 pF	Fundamental
10.000000	ATS10OBSM-1	ATS10OBSM-1E	18 pF	Fundamental	27.000000	ATS270ASM-1	ATS270ASM-1E	20 pF	Fundamental
11.059200	ATS111ASM-1	ATS111ASM-1E	Series	Fundamental	27.000000	ATS270BSM-1	ATS270BSM-1E	18 pF	Fundamental
11.059200	ATS111SM-1	ATS111SM-1E	20 pF	Fundamental	28.636360	ATS286ASM-1	ATS286ASM-1E	20 pF	Fundamental
11.059200	ATS111BSM-1	ATS111BSM-1E	18 pF	Fundamental	30.000000	ATS300ASM-1	ATS300ASM-1E	20 pF	Fundamental
11.059200	ATS111CSM-1	ATS111CSM-1E	32 pF	Fundamental	30.000000	ATS300BSM-1	ATS300BSM-1E	18 pF	Fundamental
12.000000	ATS12OSM-1	ATS12OSM-1E	Series	Fundamental	32.000000	ATS320SM-1	ATS320SM-1E	Series	3rd Overtone
12.000000	ATS12ASM-1	ATS12ASM-1E	20 pF	Fundamental	32.000000	ATS32ASM-1	ATS32ASM-1E	20 pF	3rd Overtone
12.000000	ATS12OBSM-1	ATS12OBSM-1E	18 pF	Fundamental	32.000000	ATS320BSM-1	ATS320BSM-1E	18 pF	3rd Overtone
12.000000	ATS120CSM-1	ATS120CSM-1E	32 pF	Fundamental	33.000000	ATS330ASM-1	ATS330ASM-1E	20 pF	3rd Overtone
12.288000	ATS125SM-1	ATS125SM-1E	Series	Fundamental	33.000000	ATS330BSM-1	ATS330BSM-1E	18 pF	3rd Overtone
12.288000	ATS122SM-1	ATS122SM-1E	20 pF	Fundamental	36.000000	ATS360ASM-1	ATS360ASM-1E	20 pF	3rd Overtone
12.288000	ATS122BSM-1	ATS122BSM-1E	18 pF	Fundamental	36.000000	ATS360BSM-1	ATS360BSM-1E	18 pF	3rd Overtone
12.296000	ATS123SM-1	ATS123SM-1E	Series	Fundamental	40.000000	ATS400SM-1	ATS400SM-1E	Series	3rd Overtone
12.296000	ATS124SM-1	ATS124SM-1E	20 pF	Fundamental	40.000000	ATS40ASM-1	ATS40ASM-1E	20 pF	3rd Overtone
12.352000	ATS127SM-1	ATS127SM-1E	Series	Fundamental	40.000000	ATS400BSM-1	ATS400BSM-1E	18 pF	3rd Overtone
12.352000	ATS126SM-1	ATS126SM-1E	20 pF	Fundamental	48.000000	ATS480ASM-1	ATS480ASM-1E	20 pF	3rd Overtone
12.500000	ATS125BSM-1	ATS125BSM-1E	18 pF	Fundamental	48.000000	ATS480BSM-1	ATS480BSM-1E	18 pF	3rd Overtone
13.000000	ATS130SM-1	ATS130SM-1E	20 pF	Fundamental	60.000000	ATS600ASM-1	ATS600ASM-1E	20 pF	3rd Overtone
13.500000	ATS135SM-1	ATS135SM-1E	20 pF	Fundamental	60.000000	ATS600BSM-1	ATS600BSM-1E	18 pF	3rd Overtone
13.500000	ATS135BSM-1	ATS135BSM-1E	18 pF	Fundamental	64.000000	ATS640ASM-1	ATS640ASM-1E	20 pF	3rd Overtone
14.000000	ATS140BSM-1	ATS140BSM-1E	18 pF	Fundamental	64.000000	ATS640BSM-1	ATS640BSM-1E	18 pF	3rd Overtone

ELECTRICAL CHARACTERISTICS

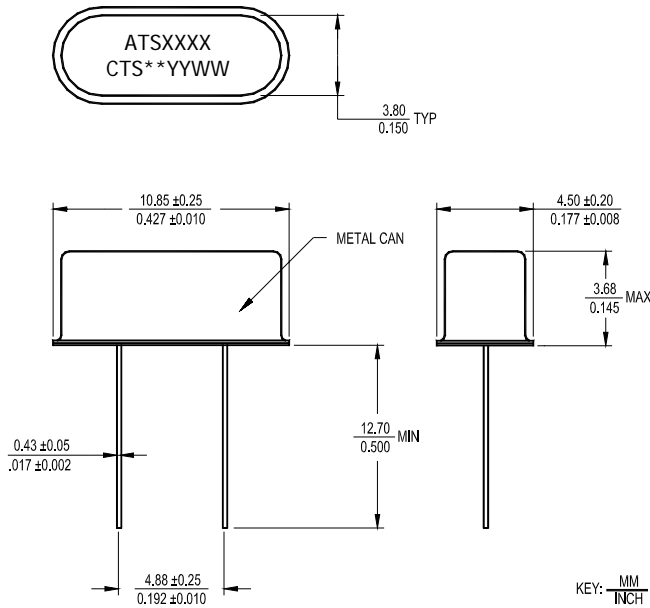
	PARAMETER	VALUE
ELECTRICAL PARAMETERS	Frequency Range	3.2 MHz to 64.0 MHz
	Operating Mode	Fundamental or 3rd Overtone
	Crystal Cut	AT-Cut
	Frequency Tolerance @ +25°C	± 30 ppm Standard *
	Frequency Stability Tolerance (Operating Temperature Range, Referenced to 25°C Reading)	± 50 ppm Standard *
	Operating Temperature Range	-20°C to +70°C * -40°C to +85°C Available, See Ordering Information
	Equivalent Series Resistance	See ESR Table
	Load Capacitance or Resonance Mode	See Standard Part Numbers tables *
	Shunt Capacitance (C ₀)	7.0 pF Maximum
	Drive Level	100 µW Typical, 1,000 µW Maximum
	Aging @ +25°C	±3 ppm/yr Typical, ±5 ppm/yr Maximum
	Insulation Resistance	500 Ohms @ DC 100V
	Storage Temperature Range	-40°C to +85°C
Reflow Condition, per JEDEC J-STD-020	+260°C Maximum, 10 Seconds Maximum	

* Custom requirements may be available upon request.

EQUIVALENT SERIES RESISTANCE TABLE

FREQUENCY RANGE	OSCILLATION MODE	ESR MAXIMUM
3.20 MHz - < 4.00 MHz	Fundamental	150 Ohms
4.00 MHz - < 5.00 MHz	Fundamental	120 Ohms
5.00 MHz - < 8.00 MHz	Fundamental	80 Ohms
8.00 MHz - < 12.00 MHz	Fundamental	60 Ohms
12.00 MHz - < 20.00 MHz	Fundamental	40 Ohms
20.00 MHz - < 30.00 MHz	Fundamental	30 Ohms
27.00 MHz - 64.00 MHz	3rd Overtone	80 Ohms

ATS PACKAGE DRAWING



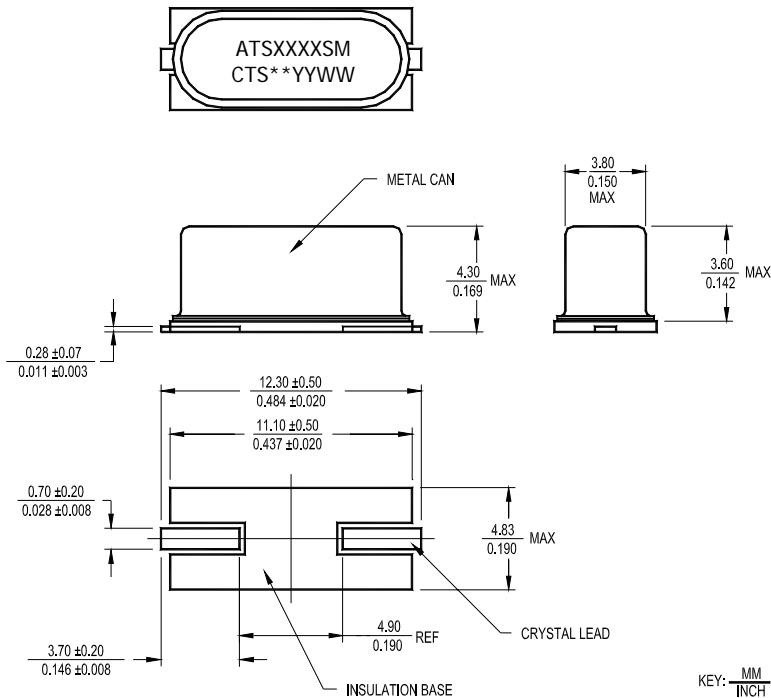
MARKING INFORMATION

- ATSXXXX - CTS Part Number.
 - The package code "1" is not required in the marking.
 - The -E is required in the marking for extended temperature range parts. [See Standard Product Part Numbers tables.]
- ** - Manufacturing Site Code.
- YYWW - Date Code, YY - year, WW - week.
- Complete CTS part number, frequency value and date code information must appear on bag and box labels.

NOTES

- Lead finish (e1), SnAgCu.
- MSL = 1.

ATS-SM PACKAGE DRAWING



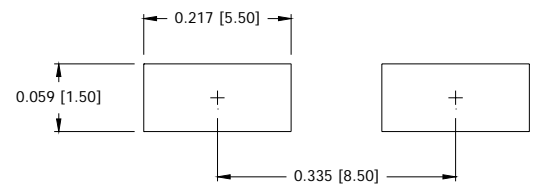
MARKING INFORMATION

- ATSXXXXXSM - CTS Part Number.
 - The package code "1" is not required in the marking.
 - The -E is required in the marking for extended temperature range parts. [See Standard Product Part Numbers tables.]
- ** - Manufacturing Site Code.
- YYWW - Date Code, YY - year, WW - week.
- Complete CTS part number, frequency value and date code information must appear on bag and box labels.

NOTES

- Lead finish (e1), SnAgCu.
- MSL = 1.

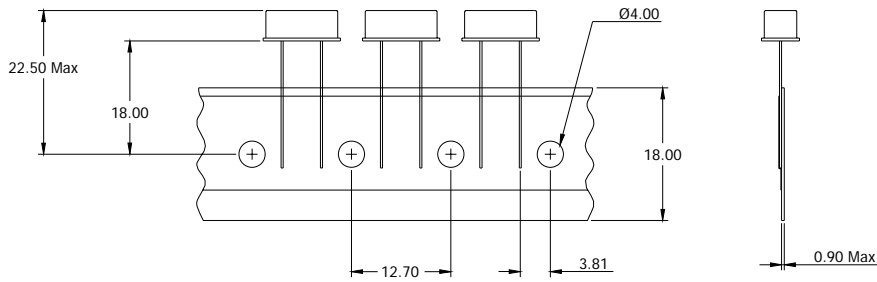
SUGGESTED SOLDER PAD GEOMETRY



PACKAGING INFORMATION

ATS Radial Taping (Ammopak)

DIMENSIONS IN MILLIMETERS



ATS-SM Tape and Reel

DIMENSIONS IN MILLIMETERS

