

# DATA SHEET

## GENERAL PURPOSE CHIP RESISTORS

RC\_L series

$\pm 0.1\%$ ,  $\pm 0.5\%$ ,  $\pm 1\%$ ,  $\pm 5\%$

Sizes 0075/0100/0201/0402/0603/0805/  
1206/1210/1218/2010/2512

RoHS compliant & Halogen free



**SCOPE**

This specification describes RC series chip resistors with lead free terminations made by thick film process.

**APPLICATIONS**

- All general purpose application

**FEATURES**

- Halogen Free Epoxy
- RoHS compliant
  - Products with lead free terminations meet RoHS requirements
  - Pb-glass contained in electrodes, resistors element and glass are exempted by RoHS
- Reducing environmentally hazardous wastes
- High component and equipment reliability
- Saving of PCB space
- None forbidden-materials used in products/production

**ORDERING INFORMATION - GLOBAL PART NUMBER**

Global part numbers are identified by the series, size, tolerance, packing type, temperature coefficient, taping reel and resistance value.

**GLOBAL PART NUMBER**

**RC XXXX X X X XX XXXX L**  
 (1) (2) (3) (4) (5) (6) (7)

**(1) SIZE**

0075/0100/0201/0402/0603/0805/1206/1210/1218/2010/2512

**(2) TOLERANCE**

B = ±0.1%  
 D = ±0.5%  
 F = ±1.0%  
 J = ±5.0% (for jumper ordering, use code of J)

**(3) PACKAGING TYPE**

R = Paper taping reel  
 K = Embossed taping reel  
 S = ESD safe reel (0075/0100 only)

**(4) TEMPERATURE COEFFICIENT OF RESISTANCE**

- = Based on spec.

**(5) TAPING REEL**

07= 7 inch dia. Reel  
 10=10 inch dia. Reel  
 13=13 inch dia. Reel  
 7W = 7 inch dia. Reel & 2 x standard power  
 7N = 7 inch dia. Reel, ESD safe reel (0075/0100 only)

**(6) RESISTANCE VALUE**

There are 2~4 digits indicated the resistance value.  
 Letter R/K/M is decimal point  
 Example:  
 97R6 = 97.6Ω  
 9K76 = 9760Ω  
 1M = 1,000,000Ω

**(7) DEFAULT CODE**

Letter L is the system default code for ordering only.(Note)

**ORDERING EXAMPLE**

The ordering code for a RC0402 0.0625W chip resistor value 100KΩ with ±5% tolerance, supplied in 7-inch tape reel of 10,000 units per reel is: RC0402JR-07100KL.

**NOTE**

1. All our RSMD products meet RoHS compliant and Halogen Free. "LFP" of the internal 2D reel label mentions "Lead Free Process".
2. On customized label, "LFP" or specific symbol can be printed.

**MARKING**

RC0075 / RC0100 / RC0201 / RC0402



No Marking

RC0603



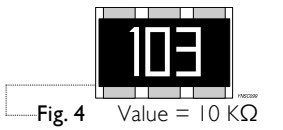
E24 series: 3 digits  
First two digits for significant figure and 3rd digit for number of zeros

RC0805 / RC1206 / RC1210 / RC2010 / RC2512

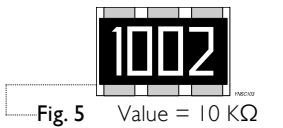


E24/E96 series: 4 digits  
First three digits for significant figure and 4th digit for number of zeros

RC1218



E-24 series: 3 digits, ±5%  
First two digits for significant figure and 3rd digit for number of zeros



Both E-24 and E-96 series: 4 digits, ±1% & ±0.5%  
First three digits for significant figure and 4th digit for number of zeros

For further marking information, please see special data sheet "Chip resistors marking".

**CONSTRUCTION**

The resistor is constructed on top of a high-grade ceramic body. Internal metal electrodes are added on each end to make the contacts to the thick film resistive element. The composition of the resistive element is a noble metal imbedded into a glass and covered by a second glass to prevent environmental influences. The resistor is laser trimmed to the rated resistance value. The resistor is covered with a protective epoxy coat, finally the two external terminations (matte tin on Ni-barrier) are added, as shown in Fig.6.

**Outlines**

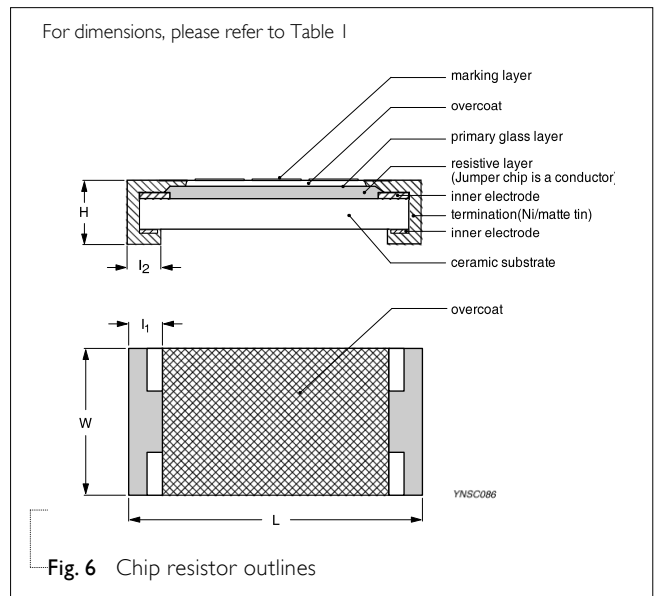


Fig. 6 Chip resistor outlines

**DIMENSION**

Table 1

| TYPE   | L (mm)    | W (mm)    | H (mm)    | l <sub>1</sub> (mm) | l <sub>2</sub> (mm) |
|--------|-----------|-----------|-----------|---------------------|---------------------|
| RC0075 | 0.30±0.01 | 0.15±0.01 | 0.10±0.01 | 0.08±0.03           | 0.08±0.03           |
| RC0100 | 0.40±0.02 | 0.20±0.02 | 0.13±0.02 | 0.10±0.03           | 0.10±0.03           |
| RC0201 | 0.60±0.03 | 0.30±0.03 | 0.23±0.03 | 0.10±0.05           | 0.15±0.05           |
| RC0402 | 1.00±0.05 | 0.50±0.05 | 0.35±0.05 | 0.20±0.10           | 0.25±0.10           |
| RC0603 | 1.60±0.10 | 0.80±0.10 | 0.45±0.10 | 0.25±0.15           | 0.25±0.15           |
| RC0805 | 2.00±0.10 | 1.25±0.10 | 0.50±0.10 | 0.35±0.20           | 0.35±0.20           |
| RC1206 | 3.10±0.10 | 1.60±0.10 | 0.55±0.10 | 0.45±0.20           | 0.40±0.20           |
| RC1210 | 3.10±0.10 | 2.60±0.15 | 0.55±0.10 | 0.45±0.15           | 0.50±0.20           |
| RC1218 | 3.10±0.10 | 4.60±0.10 | 0.55±0.10 | 0.45±0.20           | 0.40±0.20           |
| RC2010 | 5.00±0.10 | 2.50±0.15 | 0.55±0.10 | 0.45±0.15           | 0.50±0.20           |
| RC2512 | 6.35±0.10 | 3.10±0.15 | 0.55±0.10 | 0.60±0.20           | 0.50±0.20           |

**ELECTRICAL CHARACTERISTICS**

Table 2

| CHARACTERISTICS | POWER  | OPERATING TEMPERATURE RANGE | MAXIMUM WORKING VOLTAGE | MAXIMUM OVERLOAD VOLTAGE | DIELECTRIC WITHSTANDING VOLTAGE | RESISTANCE RANGE   | TEMPERATURE COEFFICIENT   | JUMPER CRITERIA                                  |
|-----------------|--------|-----------------------------|-------------------------|--------------------------|---------------------------------|--|---|--|
| RC0075          | 1/50 W | -55°C to 125°C              | 10V                     | 25V                      | 25V                             | 5% (E24)<br>10Ω ≤ R ≤ 1MΩ<br>1% (E24/E96)<br>10Ω ≤ R ≤ 1MΩ<br>Jumper < 50mΩ  | 10Ω ≤ R < 100Ω<br>-200~+600ppm/°C<br>100Ω ≤ R ≤ 1MΩ<br>±200ppm/°C   | Rated Current<br>0.5A<br>Maximum Current<br>1.0A |
| RC0100          | 1/32 W | -55°C to 125°C              | 15V                     | 30V                      | 30V                             | 5% (E24)<br>1Ω ≤ R ≤ 22MΩ<br>1% (E24/E96)<br>1Ω ≤ R ≤ 10MΩ<br>0.5% (E24/E96)<br>33Ω ≤ R ≤ 470KΩ<br>Jumper < 50mΩ     | 1Ω ≤ R < 100Ω<br>-200~+600ppm/°C<br>10Ω ≤ R < 100Ω:<br>±300ppm/°C<br>100Ω ≤ R ≤ 10MΩ:<br>±200ppm/°C<br>10MΩ < R ≤ 22MΩ:<br>±250ppm/°C | Rated Current<br>0.5A<br>Maximum Current<br>1.0A |
| RC0201          | 1/20 W | -55°C to 125°C              | 25V                     | 50V                      | 50V                             | 5% (E24)<br>1Ω ≤ R ≤ 10MΩ<br>1% (E24/E96)<br>1Ω ≤ R ≤ 10MΩ<br>0.1%, 0.5% (E24/E96)<br>10Ω ≤ R ≤ 1MΩ<br>Jumper < 50mΩ | 1Ω ≤ R ≤ 10Ω<br>-100~+350ppm/°C<br>10Ω < R ≤ 10MΩ<br>±200ppm/°C   | Rated Current<br>0.5A<br>Maximum Current<br>1.0A |

Table 2

| CHARACTERISTICS | POWER  | OPERATING TEMPERATURE RANGE | MAXIMUM WORKING VOLTAGE | MAXIMUM OVERLOAD VOLTAGE | DIELECTRIC WITHSTANDING VOLTAGE | RESISTANCE RANGE  | TEMPERATURE COEFFICIENT   | JUMPER CRITERIA                                   |
|-----------------|--------|-----------------------------|-------------------------|--------------------------|---------------------------------|---|---|---|
| RC0402          | 1/16 W | -55°C to 155°C              | 50V                     | 100V                     | 100V                            | 5% (E24)<br>1Ω≤R≤22MΩ<br>1% (E24/E96)<br>1Ω≤R≤10MΩ<br>0.1%, 0.5% (E24/E96)<br>10Ω≤R≤1MΩ<br>Jumper<50mΩ                                    | 1Ω≤R≤10Ω<br>±200ppm°C<br>10Ω<R≤10MΩ<br>±100ppm°C<br>10MΩ<R≤22MΩ<br>±200ppm°C                              | Rated Current<br>1.0A<br>Maximum Current<br>2.0A  |
|                 | 1/8W   | -55°C to 155°C              | 50V                     | 100V                     | 100V                            | 5% (E24)<br>1Ω≤R≤1MΩ<br>1% (E24/E96)<br>1Ω≤R≤1MΩ  | 1Ω≤R≤1MΩ<br>±200ppm°C   |   |
| RC0603          | 1/10 W | -55°C to 155°C              | 75V                     | 150V                     | 150V                            | 5% (E24)<br>1Ω≤R≤22MΩ<br>1% (E24/E96)<br>1Ω≤R≤10MΩ<br>0.1%, 0.5% (E24/E96)<br>10Ω≤R≤1MΩ<br>Jumper<50mΩ                                    | 1Ω≤R≤10Ω<br>±200ppm°C<br>10Ω<R≤10MΩ<br>±100ppm°C<br>10MΩ<R≤22MΩ<br>±200ppm°C                              | Rated Current<br>1.0A<br>Maximum Current<br>2.0A  |
|                 | 1/5 W  | -55°C to 155°C              | 75V                     | 150V                     | 150V                            | 5% (E24)<br>1Ω≤R≤1MΩ<br>1% (E24/E96)<br>1Ω≤R≤1MΩ  | 1Ω≤R≤1MΩ<br>±200ppm°C   |   |
| RC0805          | 1/8 W  | -55°C to 155°C              | 150V                    | 300V                     | 300V                            | 5% (E24)<br>1Ω≤R≤100MΩ<br>1% (E24/E96)<br>1Ω≤R≤10MΩ<br>0.1%, 0.5% (E24/E96)<br>10Ω≤R≤1MΩ<br>10%, 20% (E24)<br>24MΩ≤R≤100MΩ<br>Jumper<50mΩ | 1Ω≤R≤10Ω<br>±200ppm°C<br>10Ω<R≤10MΩ<br>±100ppm°C<br>10MΩ<R≤22MΩ<br>±200ppm°C<br>24MΩ<R≤100MΩ<br>±300ppm°C | Rated Current<br>2.0A<br>Maximum Current<br>5.0A  |
|                 | 1/4 W  | -55°C to 155°C              | 150V                    | 300V                     | 300V                            | 5% (E24)<br>1Ω≤R≤1MΩ<br>1% (E24/E96)<br>1Ω≤R≤1MΩ  | 1Ω≤R≤1MΩ<br>±200ppm°C   |   |
| RC1206          | 1/4 W  | -55°C to 155°C              | 200V                    | 400V                     | 500V                            | 5% (E24)<br>1Ω≤R≤100MΩ<br>1% (E24/E96)<br>1Ω≤R≤10MΩ<br>0.1%, 0.5% (E24/E96)<br>10Ω≤R≤1MΩ<br>10%, 20% (E24)<br>24MΩ≤R≤100MΩ<br>Jumper<50mΩ | 1Ω≤R≤10Ω<br>±200ppm°C<br>10Ω<R≤10MΩ<br>±100ppm°C<br>10MΩ<R≤22MΩ<br>±200ppm°C<br>24MΩ≤R≤100MΩ<br>±300ppm°C | Rated Current<br>2.0A<br>Maximum Current<br>10.0A |
|                 | 1/2 W  | -55°C to 155°C              | 200V                    | 400V                     | 500V                            | 5% (E24)<br>1Ω≤R≤1MΩ<br>1% (E24/E96)<br>1Ω≤R≤1MΩ  | 1Ω≤R≤1MΩ<br>±200ppm°C   |   |

**FOOTPRINT AND SOLDERING PROFILES**

For recommended footprint and soldering profiles, please refer to data sheet “Chip resistors mounting”

Table 2

| CHARACTERISTICS | POWER | OPERATING TEMPERATURE RANGE | MAXIMUM WORKING VOLTAGE | MAXIMUM OVERLOAD VOLTAGE | DIELECTRIC WITHSTANDING VOLTAGE | RESISTANCE RANGE  | TEMPERATURE COEFFICIENT                             | JUMPER CRITERIA                                   |
|-----------------|-------|-----------------------------|-------------------------|--------------------------|---------------------------------|---|---|---|
| RC1210          | 1/2 W | -55°C to 155°C              | 200V                    | 500V                     | 500V                            | 5% (E24)<br>1Ω≤R≤22MΩ   | 1Ω≤R≤10Ω<br>±200ppm°C                               | Rated Current<br>2.0A<br>Maximum Current<br>10.0A |
|                 |       |                             |                         |                          |                                 | 1% (E24/E96)<br>1Ω≤R≤10MΩ<br>0.1%, 0.5% (E24/E96)<br>10Ω≤R≤1MΩ<br>Jumper<50mΩ | 10Ω<R≤10MΩ<br>±100ppm°C<br>10MΩ<R≤22MΩ<br>±200ppm°C |   |
| RC1218          | 1 W   | -55°C to 155°C              | 200V                    | 500V                     | 500V                            | 5% (E24)<br>1Ω≤R≤1MΩ  | 1Ω≤R≤10Ω<br>±200ppm°C                               | Rated Current<br>6.0A<br>Maximum Current<br>10.0A |
|                 |       |                             |                         |                          |                                 | 1% (E24/E96)<br>1Ω≤R≤1MΩ<br>0.1%, 0.5% (E24/E96)<br>10Ω≤R≤1MΩ<br>Jumper<50mΩ  | 10Ω<R≤1MΩ<br>±100ppm°C                              |   |
| RC2010          | 3/4 W | -55°C to 155°C              | 200V                    | 500V                     | 500V                            | 5% (E24)<br>1Ω≤R≤22MΩ   | 1Ω≤R≤10Ω<br>±200ppm°C                               | Rated Current<br>2.0A<br>Maximum Current<br>10.0A |
|                 |       |                             |                         |                          |                                 | 1% (E24/E96)<br>1Ω≤R≤10MΩ<br>0.1%, 0.5% (E24/E96)<br>10Ω≤R≤1MΩ<br>Jumper<50mΩ | 10Ω<R≤10MΩ<br>±100ppm°C<br>10MΩ<R≤22MΩ<br>±200ppm°C |   |
| RC2512          | 1 W   | -55°C to 155°C              | 200V                    | 500V                     | 500V                            | 5% (E24)<br>1Ω≤R≤22MΩ   | 1Ω≤R≤10Ω<br>±200ppm°C                               | Rated Current<br>2.0A<br>Maximum Current<br>10.0A |
|                 |       |                             |                         |                          |                                 | 1% (E24/E96)<br>1Ω≤R≤10MΩ<br>0.1%, 0.5% (E24/E96)<br>10Ω≤R≤1MΩ<br>Jumper<50mΩ | 10Ω<R≤10MΩ<br>±100ppm°C<br>10MΩ<R≤22MΩ<br>±200ppm°C |   |
|                 | 2 W   | -55°C to 155°C              | 200V                    | 400V                     | 500V                            | 5% (E24)<br>1Ω≤R≤1MΩ<br>1% (E24/E96)<br>1Ω≤R≤1MΩ                              | 1Ω≤R≤1MΩ<br>±200ppm°C                               |   |

**PACKING STYLE AND PACKAGING QUANTITY**

Table 3 Packing style and packaging quantity

| PACKING STYLE | PAPER TAPING REEL (R) |             |             | ESD SAFE REEL (S)<br>(4MM WIDTH, 1MM<br>PITCH PLASTIC<br>EMBOSSSED) | EMBOSSSED<br>TAPING REEL |
|---------------|-----------------------|-------------|-------------|---|--------------------------|
|               | REEL DIMENSION        | 7" (178 mm) | 10" (254mm) |   |                          |
| RC0075        | ---                   | ---         | ---         | 20000   | ---                      |
| RC0100        | 20000                 | ---         | 80000       | 40000   | ---                      |
| RC0201        | 10000                 | 20000       | 50000       | ---   | ---                      |
| RC0402        | 10000                 | 20000       | 50000       | ---   | ---                      |
| RC0603        | 5000                  | 10000       | 20000       | ---   | ---                      |
| RC0805        | 5000                  | 10000       | 20000       | ---   | ---                      |
| RC1206        | 5000                  | 10000       | 20000       | ---   | ---                      |
| RC1210        | 5000                  | 10000       | 20000       | ---   | ---                      |
| RC1218        | ---                   | ---         | ---         | ---   | 4000                     |
| RC2010        | ---                   | ---         | ---         | ---   | 4000                     |
| RC2512        | ---                   | ---         | ---         | ---   | 4000                     |

**NOTE**

For tape and reel specification/dimensions, please refer to data sheet "Chip resistors packing".

**FUNCTIONAL DESCRIPTION**

**OPERATING TEMPERATURE RANGE**

RC0402 to RC2512 Range: -55°C to +155°C (Fig. 7-1)

RC0075 to RC0201 Range: -55°C to +125°C (Fig. 7-2)

**POWER RATING**

Each type rated power at 70 °C:

- RC0075=1/50W
- RC0100=1/32W
- RC0201=1/20W
- RC0402=1/16W, 1/8W
- RC0603=1/10W, 1/5W
- RC0805=1/8W, 1/4W
- RC1206=1/4W, 1/2W
- RC1210=1/2W
- RC1218=1W
- RC2010=3/4W
- RC2512=1W, 2W

**RATED VOLTAGE**

The DC or AC (rms) continuous working voltage corresponding to the rated power is determined by the following formula:

$$V = \sqrt{(P \times R)}$$

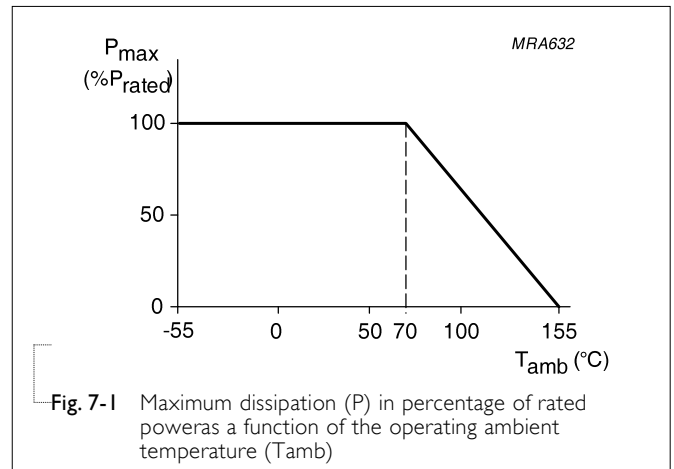
or max. working voltage whichever is less

Where

V = Continuous rated DC or AC (rms) working voltage (V)

P = Rated power (W)

R = Resistance value (Ω)



**TESTS AND REQUIREMENTS**

Table 8 Test condition, procedure and requirements

| TEST   | TEST METHOD                                   | PROCEDURE   | REQUIREMENTS   |
|--|---|---|--|
| Temperature Coefficient of Resistance (T.C.R.) | MIL-STD-202 Method 304                        | At +25/-55°C and +25/+125°C<br><br><b>Formula:</b><br>$T.C.R = \frac{R_2 - R_1}{R_1(t_2 - t_1)} \times 10^6 \text{ (ppm/°C)}$<br>Where<br>t <sub>1</sub> =+25 °C or specified room temperature<br>t <sub>2</sub> =-55 °C or +125 °C test temperature<br>R <sub>1</sub> =resistance at reference temperature in ohms<br>R <sub>2</sub> =resistance at test temperature in ohms | Refer to table 2   |
| Life/ Endurance                                | MIL-STD-202 Method 108A<br>IEC 60115-1 4.25.1 | At 70±2°C for 1,000 hours; RCWV applied for 1.5 hours on and 0.5 hour off, still air required   | 0075: ± (5%+100mΩ)<br><100mΩ for jumper<br>01005: ±(3% +50mΩ)<br><100mΩf or jumper<br>Others:<br>±(1%+50mΩ) for B/D/F tol<br>±(3%+50mΩ) for J tol<br><100mR for jumper     |
| High Temperature Exposure                      | MIL-STD-202 Method 108A<br>IEC 60068-2-2      | 1,000 hours at maximum operating temperature depending on specification, unpowered.   | 0075: ± (5%+100mΩ)<br><100mΩ for jumper<br>01005: ±(1% +50mΩ)<br>< 50mΩf or jumper<br>Others:<br>±(1%+50mΩ) for B/D/F tol<br>±(2%+50mΩ) for J tol<br><50mR for jumper      |
| Moisture Resistance                            | MIL-STD-202 Method 106G                       | Each temperature / humidity cycle is defined at 8 hours (method 106F), 3 cycles / 24 hours for 10d with 25°C / 65°C 95% R.H, without steps 7a & 7b, unpowered<br><br>Parts mounted on test-boards, without condensation on parts  | 0075: ± (2%+100mΩ)<br><100mΩ for jumper<br>01005: ±(2% +50mΩ)<br>< 100mΩf or jumper<br>Others:<br>±(0.5%+50mΩ) for B/ D/F tol<br>±(2%+50mΩ) for J tol<br><100mR for jumper |
| Humidity                                       | IEC 60115-1 4.24.2                            | Steady state for 1000 hours at 40°C / 95% R.H. RCWV applied for 1.5 hours on and 0.5 hour off   | 0075: ± (5%+100mΩ)<br>no visible damage<br>01005: ±(3% +50mΩ)<br>< 100mΩf or jumper<br>Others:<br>±(1%+50mΩ) for B/D/F tol<br>±(2%+50mΩ) for J tol<br><100mR for jumper    |



|                                      |   |  |   |
|--------------------------------------|---|--|---|
| <b>Thermal Shock</b>                 | MIL-STD-202 Method 107G                     | -55/+125°C<br>Note Number of cycles required is 300.<br>Devices mounted<br>Maximum transfer time is 20 seconds.<br>Dwell time is 15 minutes. Air - Air   | 0075/01005: $\pm(1\% + 50m\Omega)$<br>< 50m $\Omega$ f or jumper<br>Others:<br>$\pm(0.5\% + 50m\Omega)$ for B/D/F tol<br>$\pm(1\% + 50m\Omega)$ for J tol<br>< 50mR for jumper  |
| <b>Short Time Overload</b>           | IEC 60115-1 4.13                            | 2.5 times RCWV or maximum overload voltage which is less for 5 seconds at room temperature   | 0075/01005: $\pm(2\% + 50m\Omega)$<br>< 50m $\Omega$ f or jumper<br>Others:<br>$\pm(1\% + 50m\Omega)$ for B/D/F tol<br>$\pm(2\% + 50m\Omega)$ for J tol<br><50mR for jumper<br>No visible damage  |
| <b>Board Flex/Bending</b>            | IEC 60115-1 4.33                            | Device mounted or as described only 1 board bending required<br>bending time: 60 $\pm$ 5 seconds<br>0075/0100/0201/0402:5mm;<br>0603/0805:3mm;<br>1206 and above:2mm   | 0075/01005: $\pm(1\% + 50m\Omega)$<br>< 50m $\Omega$ f or jumper<br>Others:<br>$\pm(1\% + 50m\Omega)$ for B/D/F/J tol<br><50mR for jumper<br>No visible damage  |
| <b>Solderability - Wetting</b>       | J-STD-002 test B                            | Electrical Test not required Magnification 50X<br>SMD conditions:<br>1st step: method B, aging 4 hours at 155°C dry heat<br>2nd step: leadfree solder bath at 245 $\pm$ 3°C<br>Dipping time: 3 $\pm$ 0.5 seconds | Well tinned<br>(>95% covered)<br>No visible damage  |
| <b>-Leaching</b>                     | J-STD-002 test D                            | Leadfree solder ,260°C, 30 seconds immersion time  | No visible damage   |
| <b>-Resistance to Soldering Heat</b> | MIL-STD-202 Method 210F<br>IEC 60115-1 4.18 | Condition B, no pre-heat of samples<br>Leadfree solder, 260°C $\pm$ 5°C, 10 $\pm$ 1 seconds immersion time<br>Procedure 2 for SMD: devices fluxed and cleaned with isopropanol                                   | 0075: $\pm(3\% + 50m\Omega)$<br><50m $\Omega$ for jumper<br>01005: $\pm(1\% + 50m\Omega)$<br>< 50m $\Omega$ f or jumper<br>Others:<br>$\pm(0.5\% + 50m\Omega)$ for B/D/F tol.<br>$\pm(1\% + 50m\Omega)$ for J tol.<br><50mR for jumper<br>No visible damage |

**REVISION HISTORY**

| REVISION  | DATE          | CHANGE NOTIFICATION | DESCRIPTION  |
|-----------|---------------|---------------------|--|
| Version 7 | Mar. 7, 2017  | -                   | - Add 10" packing                                      |
| Version 6 | Feb.15, 2017  | -                   | - Extend RC0805 and RC1206 resistance range to 100Mohm |
| Version 5 | Oct. 06, 2016 | -                   | - Description: Update Dimension of I2 of RC2512 (2W)   |
| Version 4 | Jan. 22, 2016 | -                   | - update resistance range                              |
| Version 3 | Dec. 24, 2015 | -                   | - Updated test and requirements                        |
| Version 2 | Jul. 23, 2015 | -                   | - Updated test and requirements                        |
| Version 1 | Jan. 21, 2015 | -                   | - ESD Safe Reel update                                 |
| Version 0 | Dec. 15, 2014 | -                   | - First issue of this specification                    |

*“Yageo reserves all the rights for revising the content of this datasheet without further notification, as long as the products itself are unchanged. Any product change will be announced by PCN.”*