



# L21S-21KA1A, L21E-21KA1A

## L21

SINGLE-BEAM PHOTOELECTRIC SAFETY SWITCHES

**SICK**  
Sensor Intelligence.

### Ordering information



System part	Type	Part no.
Sender	L21S-21KA1A	6034872
Receiver	L21E-21KA1A	6034873

Other models and accessories → [www.sick.com/L21](http://www.sick.com/L21)



### Detailed technical data

#### Features

<b>Scanning range</b>	0 m ... 10 m
<b>Number of beams</b>	1
<b>Optical axis</b>	Axial

#### Safety-related parameters

<b>Type</b>	Type 2 (IEC 61496) <sup>1)</sup>
<b>Safety integrity level</b>	SIL1 (IEC 61508) <sup>1)</sup> SILCL1 (EN 62061) <sup>1)</sup>
<b>Category</b>	Category 2 (EN ISO 13849) <sup>1)</sup>
<b>Test rate (external test)</b>	100 /s (EN ISO 13849) <sup>2)</sup>
<b>Maximum demand rate</b>	≤ 60 min <sup>-1</sup> (EN ISO 13849) <sup>3)</sup>
<b>Performance level</b>	PL c (EN ISO 13849) <sup>1)</sup>
<b>PFH<sub>D</sub> (mean probability of a dangerous failure per hour)</b>	1.0 x 10 <sup>-6</sup> (EN ISO 13849) <sup>1)</sup>
<b>T<sub>M</sub> (mission time)</b>	20 years (EN ISO 13849)

<sup>1)</sup> Only in combination with an appropriate test device, e.g., Flexi Classic or Flexi Soft.

<sup>2)</sup> The test rate shall not be exceeded.

<sup>3)</sup> Between two requirements on a safety-related response of the device, at least 100 internal or external tests must be carried out.

#### Interfaces

<b>Connection type</b>	Male connector M12, 4-pin, straight
<b>Fieldbus, industrial network</b>	
Integration via Flexi Soft safety controller	CANopen, DeviceNet™, EtherCAT®, EtherNet/IP™, Modbus TCP, PROFIBUS DP, PROFINET <sup>1)</sup>

<sup>1)</sup> For additional information on Flexi Soft -> [www.sick.com/Flexi\\_Soft](http://www.sick.com/Flexi_Soft).

## Electrical data

	Sender	Receiver
<b>Protection class</b>	III (EN 50178)	
<b>Supply voltage <math>V_s</math></b>	24 V DC (19.2 V DC ... 28.8 V DC)	
<b>Power consumption</b>	≤ 20 mA	≤ 30 mA
<b>Switching outputs</b>		PNP, Q <sup>1)</sup>
<b>Switching current</b>		≤ 70 mA

<sup>1)</sup> Short-circuit protected.

## Mechanical data

<b>Design</b>	Cylindrical
<b>Dimensions (diameter x length)</b>	M18 x 97.7 mm
<b>Housing material</b>	Plastic PBT
<b>Lens material</b>	Glass
<b>Weight</b>	30 g

## Ambient data

<b>Enclosure rating</b>	IP67 (EN 60529)
<b>Ambient operating temperature</b>	-40 °C ... +55 °C
<b>Storage temperature</b>	-40 °C ... +75 °C
<b>Air humidity</b>	15 % ... 95 %, Non-condensing
<b>Vibration resistance</b>	5 g, 10 Hz ... 55 Hz (IEC 60068-2-6)
<b>Shock resistance</b>	10 g, 16 ms (IEC 60068-2-29)

## Other information

	Sender	Receiver
<b>Light source</b>	LED	
<b>Type of light</b>	Visible red light	
<b>Wave length</b>	660 nm	
<b>Aperture angle/receiving angle</b>	± 5° / ± 5°	

## Classifications

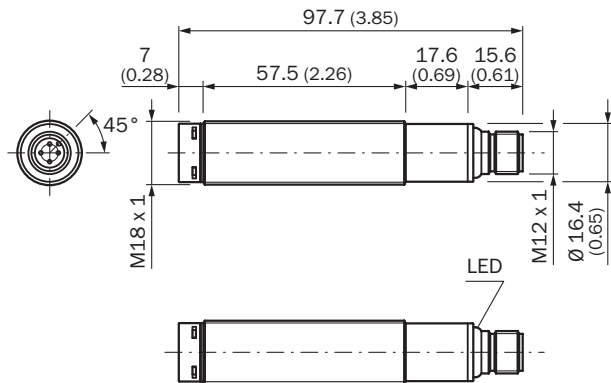
<b>ECl@ss 5.0</b>	27272701
<b>ECl@ss 5.1.4</b>	27272701
<b>ECl@ss 6.0</b>	27272701
<b>ECl@ss 6.2</b>	27272701
<b>ECl@ss 7.0</b>	27272701
<b>ECl@ss 8.0</b>	27272701
<b>ECl@ss 8.1</b>	27272701
<b>ECl@ss 9.0</b>	27272701
<b>ETIM 5.0</b>	EC001831
<b>ETIM 6.0</b>	EC001831
<b>UNSPSC 16.0901</b>	46171620

# L21S-21KA1A, L21E-21KA1A | L21

## SINGLE-BEAM PHOTOELECTRIC SAFETY SWITCHES

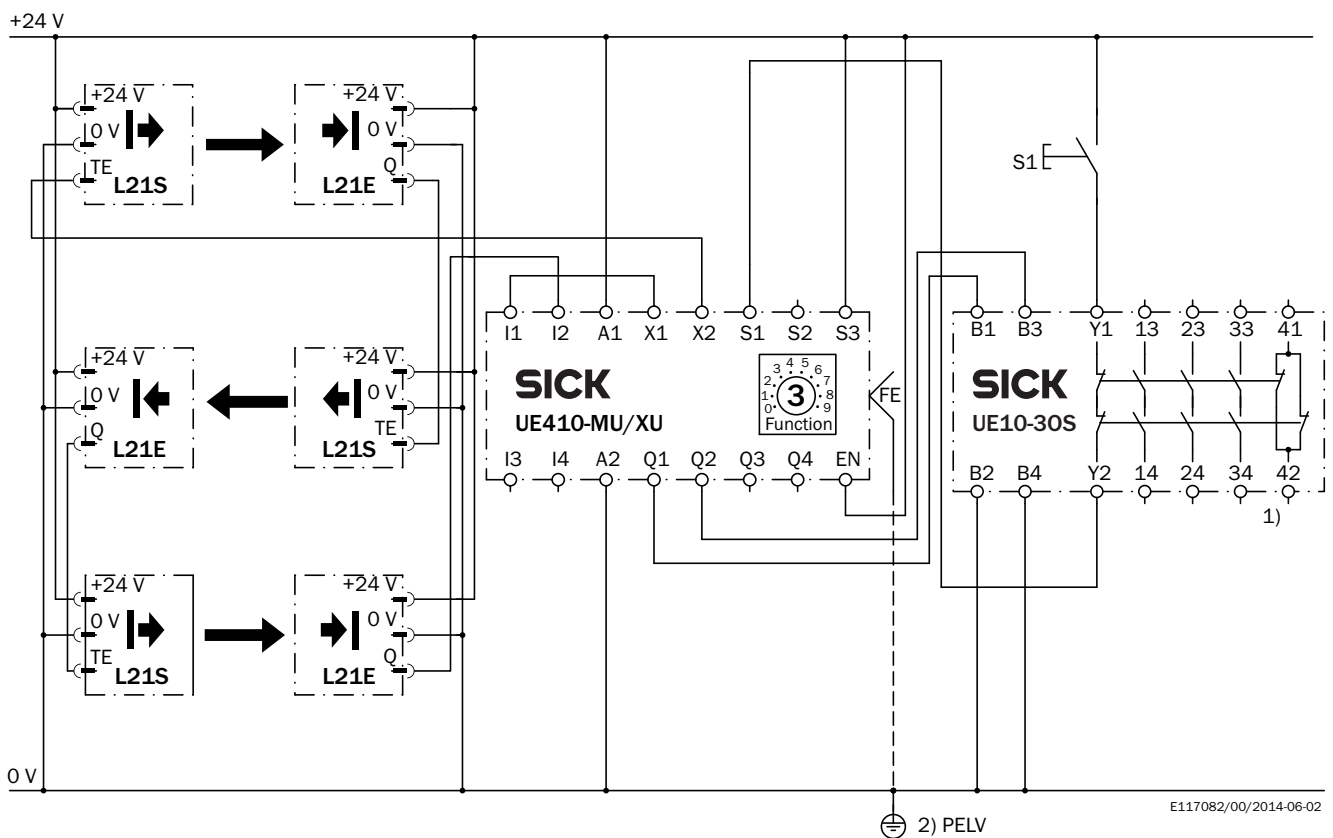
### Dimensional drawing (Dimensions in mm (inch))

M18 axial



### Connection diagram

3 x L21 (cascaded) with Flexi Classic main unit and expansion module on UE10-30S



#### Task

Integration of three cascaded L2000 (L21) family single-beam photoelectric safety switches with a UE410-MU/XU safety controller and a UE10-30S safety relay.

Operating mode: with restart interlock and external device monitoring.

#### Function

The system is ready when the light path is clear and the UE10-30S is de-energized and functioning correctly. When the S1 button is pressed and released, the Q1 and Q2 outputs on the UE410-MU/XU are live and the UE10-30S is switched on. If one of the light beams is interrupted, the Q1 and Q2 outputs on the UE410-MU/XU shut down the UE10-30S.

**Possible faults**

Malfunctions in the UE10-30S will be detected. The shutdown function is retained.

**Comments**






<sup>1)</sup> Output circuits: These contacts are to be connected to the controller such that, with the output circuit open, the dangerous state is disabled. For categories 4 and 3, the integration must be dual-channel (x/y paths). Single-channel integration in the control (z path) is only possible with a single-channel control and by taking the risk analysis into account.

<sup>2)</sup> PELV as required in EN 60204-1 / 6.4

Take note of the operating instructions for the integrated devices. The safety-related parameters (safety integrity level and response time) are dependent on the types used.

**Recommended accessories**

Other models and accessories → [www.sick.com/L21](http://www.sick.com/L21)

	Brief description	Type	Part no.
<b>Plug connectors and cables</b>			
	Head A: female connector, M12, 4-pin, straight Head B: cable Cable: PVC, unshielded, 5 m	DOL-1204-G05M	6009866
	Head A: female connector, M12, 4-pin, angled Head B: cable Cable: PVC, unshielded, 5 m	DOL-1204-W05M	6009867
	Head A: female connector, M12, 4-pin, straight Head B: - Cable: unshielded	DOS-1204-G	6007302
	Head A: female connector, M12, 4-pin, angled Head B: - Cable: unshielded	DOS-1204-W	6007303
<b>Alignment aids</b>			
	Laser alignment aid for various sensors, laser class 2 (IEC 60825). Do not look into the beam!	AR60	1015741

## SICK AT A GLANCE

SICK is one of the leading manufacturers of intelligent sensors and sensor solutions for industrial applications. A unique range of products and services creates the perfect basis for controlling processes securely and efficiently, protecting individuals from accidents and preventing damage to the environment.

We have extensive experience in a wide range of industries and understand their processes and requirements. With intelligent sensors, we can deliver exactly what our customers need. In application centers in Europe, Asia and North America, system solutions are tested and optimized in accordance with customer specifications. All this makes us a reliable supplier and development partner.

Comprehensive services complete our offering: SICK LifeTime Services provide support throughout the machine life cycle and ensure safety and productivity.

For us, that is “Sensor Intelligence.”

## WORLDWIDE PRESENCE:

Contacts and other locations –[www.sick.com](http://www.sick.com)