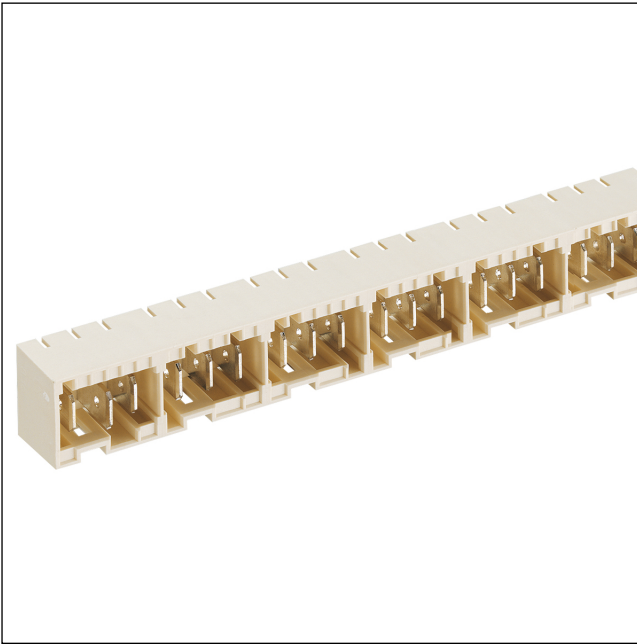


36

367399

RAST 5 connectors, pitch 5.0 mm



RAST 5 tab header, angular, with lower side lock, free to configure with partitions and pre-mating protective contacts

---

State: Active

---

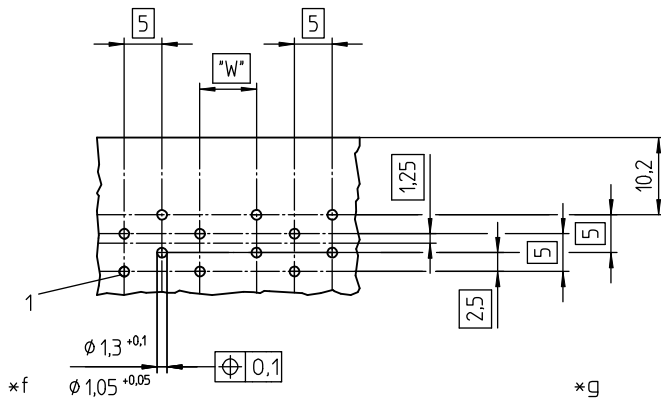
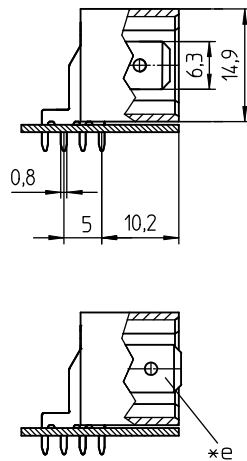
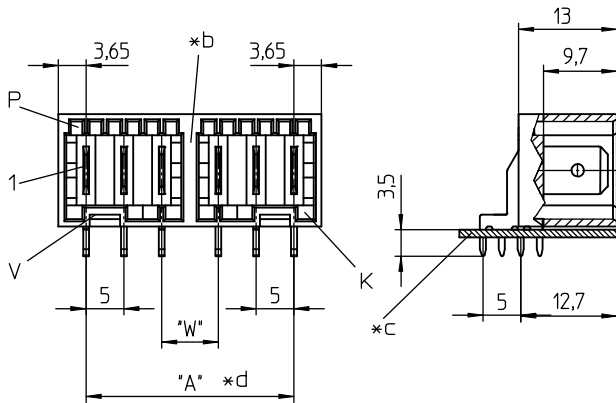
---

Approvals:



36

367399



### Environmental conditions

Temperature range -40 °C/+120 °C

### Materials

Insulating body PA GF, V-0 according to UL94<sup>1</sup>

Contact tab CuZn, pre-nickel and tin-plated

<sup>1</sup> component glow wire resistant (GWT 750 °C), testing acc. to IEC 60695-2-11, assessment acc. to IEC 60335-1 (flame < 2 s)

### Mechanical data

Contact tab 6,3 x 0,8 mm according to DIN 42644

### Electrical data (at T<sub>amb</sub> 20 °C)

Rated current 10 A (T<sub>v</sub> 70 °C)  
 Rated voltage 250 V AC  
 Material group IIIa (IEC)/2 (UL) (CTI ≥ 250)  
 Creepage distance 4,2 mm  
 Clearance 4,2 mm  
 Insulation resistance > 10 GΩ

### Associated products

Counterparts  
 ☞ 3611 ☞ 3615 ☞ 3615-1  
 ☞ 3615-2 ☞ 3615-3 ☞ 3623  
 ☞ 3626

- 
- \*a K = keying  
P = positioning  
V = space for lock
  - \*b partitioning
  - \*c printed circuit board
  - \*d  $A = (P - 1) \times 5 + (W - 5) \times Y$ , max. 135 mm  
P = poles  
W = 7,5 mm (standard)/10,0 mm  
Y = number of partitions (at least 1 partition every 12 contacts)
  - \*e pre-mating protective contact, protruding 1.5 mm, possible at any position
  - \*f measure for press-fit of solder pins in printed circuit board
  - \*g printed circuit board layout, solder side view

36

367399

Designation	Pole Number	PU (Pieces)	MDQ (Pieces)
367399 03	3		2000
367399 04	4		2000
367399 05	5		2000
367399 06	6		2000
367399 07	7		2000
367399 08	8		2000
367399 09	9		2000
367399 10	10		2000
367399 11	11		2000
367399 12	12		2000
367399 13	13		2000
367399 14	14		2000
367399 15	15		2000
367399 16	16		2000
367399 17	17		2000
367399 18	18		2000
367399 19	19		2000
367399 20	20		2000
367399 21	21		2000
367399 22	22		2000
367399 23	23		2000
367399 24	24		2000
367399 25	25		2000
367399 26	26		2000
367399 27	27		2000

Designation to be completed by further details (e.g. for keying, color or material options).

**Packaging:**  
in a cardboard box