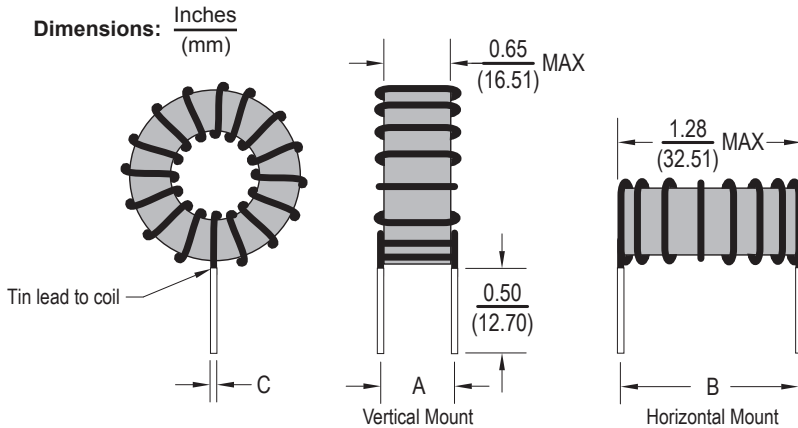
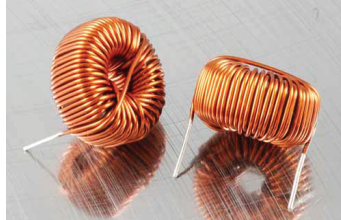




# Toroidal Chokes Low Loss TC230LL



Allied Part Number	Inductance (μh) @ 1KHZ	Tolerance (%)	L(μH) @	IDC (A)	DCR (Ω) MAX	DIM A (Nom)	DIM B (Nom)	DIM C (Nom)
( )TC230LL-1R5M-RC	1.5	20	1.1	34.0	.001	.59	1.21	.066
( )TC230LL-2R7M-RC	2.7	20	1.9	29.4	.002	.59	1.21	.066
( )TC230LL-3R9M-RC	3.9	20	2.6	26.3	.002	.59	1.21	.066
( )TC230LL-5R6M-RC	5.6	20	3.5	24.0	.003	.59	1.21	.066
( )TC230LL-8R2M-RC	8.2	20	4.9	22.3	.003	.59	1.21	.066
( )TC230LL-100L-RC	10	15	5.8	20.8	.004	.59	1.21	.066
( )TC230LL-120L-RC	12	15	6.7	19.6	.004	.59	1.21	.066
( )TC230LL-150L-RC	15	15	8.0	18.6	.005	.59	1.21	.066
( )TC230LL-180L-RC	18	15	9.0	18.5	.005	.59	1.21	.066
( )TC230LL-220L-RC	22	15	10.6	17.7	.005	.59	1.21	.066
( )TC230LL-270L-RC	27	15	12.6	17.0	.006	.59	1.21	.066
( )TC230LL-330L-RC	33	15	17.9	13.0	.010	.56	1.18	.053
( )TC230LL-390L-RC	39	15	20.1	12.2	.011	.56	1.18	.053
( )TC230LL-470L-RC	47	15	23.7	11.8	.012	.56	1.18	.053
( )TC230LL-560L-RC	56	15	31.9	8.9	.020	.54	1.16	.042
( )TC230LL-680L-RC	68	15	37.4	8.5	.023	.54	1.16	.042
( )TC230LL-820L-RC	82	15	43.7	8.1	.025	.54	1.16	.042
( )TC230LL-101L-RC	100	15	51.7	7.8	.027	.54	1.16	.042
( )TC230LL-121L-RC	120	15	59.3	7.4	.030	.54	1.16	.042
( )TC230LL-151L-RC	150	15	71.1	7.0	.033	.54	1.16	.042
( )TC230LL-181L-RC	180	15	82.1	6.7	.037	.54	1.16	.042
( )TC230LL-221L-RC	220	15	116.6	5.1	.063	.52	1.14	.034
( )TC230LL-271L-RC	271	15	137.7	4.8	.070	.52	1.14	.034
( )TC230LL-331L-RC	330	15	160.8	4.6	.079	.52	1.14	.034
( )TC230LL-391L-RC	390	15	183.6	4.4	.085	.52	1.14	.034
( )TC230LL-471L-RC	470	15	212.5	4.2	.094	.52	1.14	.034
( )TC230LL-561L-RC	560	15	243.6	4.0	.103	.52	1.14	.034
( )TC230LL-681L-RC	680	15	283.0	3.8	.113	.52	1.14	.034
( )TC230LL-821L-RC	820	15	327.4	3.6	.123	.52	1.14	.034
( )TC230LL-102L-RC	1000	15	378.9	3.5	.137	.52	1.14	.034

Please specify Vertical or Horizontal Mount by placing a V or H at the beginning of the part number, i.e. VTC230LL-1R0M (Vertical Mount). All specifications subject to change without notice.

## Features

- Low Magnetic Radiation
- Low Core Loss
- High current capacity up to 34A
- Expanded operating temp range
- Low DC Resistance
- Available in Horizontal or Vertical configuration
- Optional Tape Cover

## Electrical

**Inductance Range:** 1.5μh to 1000μh  
Additional values available

**Tolerance:** 20% from 1.5μh to 8.2μh,  
15% from 10μh to 1000μh

**Test Frequency:** 1KHz

**Operating Temp:** -55°C ~ +125°C

**Storage Temp:** -55°C ~ +125°C

**Temp Rise:** ΔT=30°C Typical at rated IDC  
Part temperature should not exceed 125°C including temperature rise.

## Test Equipment

(L): 100 LCR meter or equivalent

DCR: Chen Hwa 502

## Physical

**Packaging:** Bulk

**Marking:** None