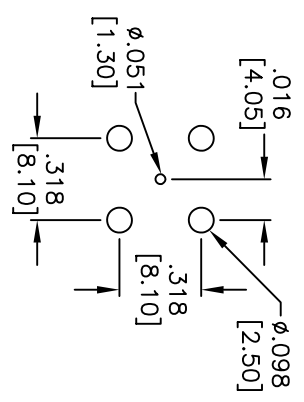
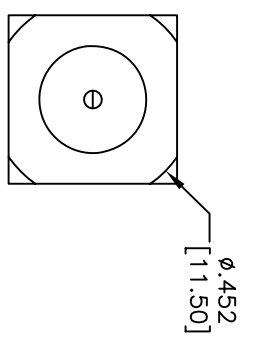
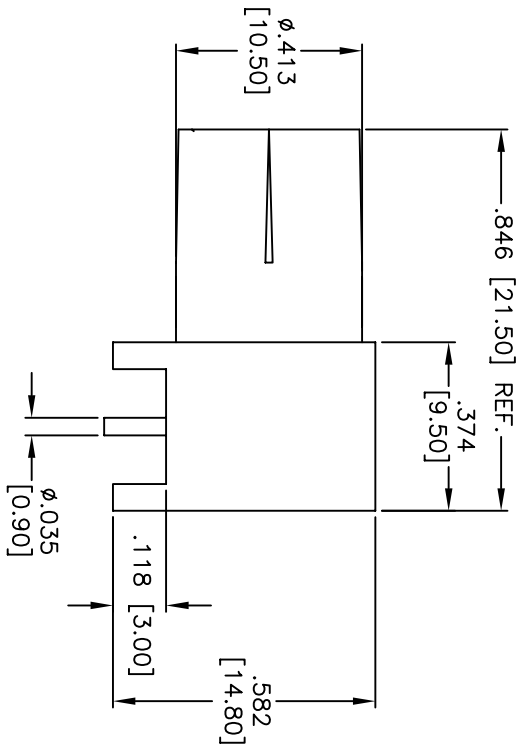
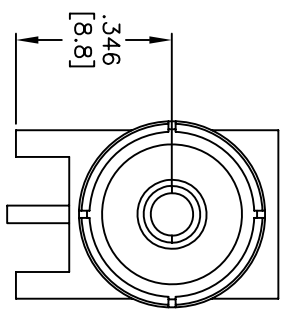


Rev	AWO #	Description	Date	Appr
-	7959	RELEASED	7/12/07	

APPROVED: _____
 DATE: _____ TITLE: _____



SPECIFICATIONS:

- Material: Body: Brass, Nickel plated; Pin: Brass, Nickel plated
- Dielectric: Teflon
- Electrical: Nominal Impedance: 75 ohms; Frequency range: 0-4 GHz; Maximum peak voltage: 500V; Insulation resistance: 5000 Mohm min @ 500 VDC; Dielectric withstanding voltage: 1500 VAC rms
- Environmental: Lead free, RoHS compliant.
- Recommended soldering temp: 235° for 5 sec.



ADAM TECH

909 Rahway Avenue, Union, NJ 07083
 Phone: 908-687-5000 Fax: 908-687-0214

TITLE: PAL CONNECTOR, FEMALE, R/A
 PCB MOUNT, 75 OHM

UNLESS OTHERWISE SPECIFIED ALL DIMENSIONS ARE MM [INCHES] TOLERANCES: EXCEPT AS NOTED	
.X ± .10	ØXX ± .10
.XX ± .020	ØXXX ± .015
.XXX ± .015	ØXXXX ± .010
APPROVALS	DATE
DRAWN SS	7/12/07
CHECKED	
APPROVED	

SIZE X	PART NO. RF34-02-T-00-75	REV. -
REF:	SCALE: NTS	SHEET 1 OF 1