

Features

- Highly integrated device with no external components except PIN diode
- Supply-voltage range: 2.7V to 5.5V
- High sensitivity due to automatic sensitivity adaptation (AGC) and automatic strong signal adaptation (ATC)
- Automatic supply voltage adaptation
- High immunity against disturbances from daylight and lamps
- Small size and innovative pad layout
- Available for carrier frequencies between 36kHz to 40kHz
- TTL and CMOS compatible

Applications

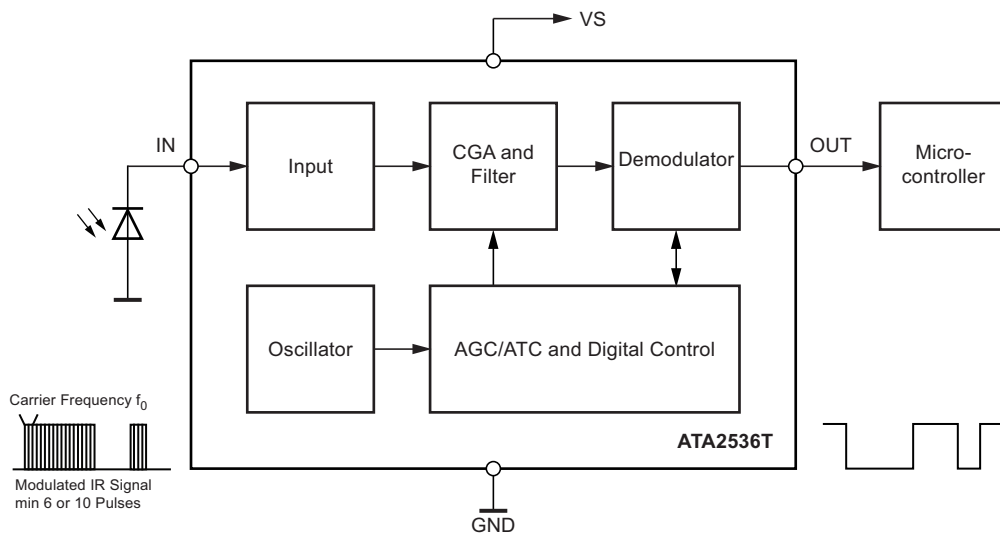
- Home entertainment applications
- Home appliances
- Remote control equipment

1. Description

The Atmel® IC ATA2536T is a complete IR receiver for data communication developed and optimized for use in carrier-frequency-modulated transmission applications. The IC combines small size with high sensitivity as well as high suppression of noise from daylight and lamps. An innovative and patented pad layout offers unique flexibility for assembly of IR receiver modules. The Atmel ATA2536T is recommended in LCD TV application (noise environment by backlight interference) with IR protocols using 375µs maximum burst length of data bits, available with standard frequencies (36, 37, 38, 40kHz) and 3 different noise suppression regulation types (standard, lamp, short burst). The ATA2536T operates in a supply voltage range of 2.7V to 5.5V.

The function of the Atmel ATA2536T can be described using the block diagram of [Figure 1-1 on page 2](#). The input stage has two main functions. Firstly, it provides a suitable bias voltage for the PIN diode. Secondly, the pulsed photo-current signals are transformed into a voltage by a special circuit, which is optimized for low noise applications. After amplification by a Controlled Gain Amplifier (CGA), the signals have to pass a tuned integrated narrow bandpass filter with a center frequency f_0 , which is equivalent to the chosen carrier frequency of the input signal. The demodulator is used to convert the input burst signal to a digital envelope output pulse and to evaluate the signal information quality, i.e., unwanted pulses will be suppressed at the output pin. All this is done by means of an integrated dynamic feedback circuit, which varies the gain as a function of the present environmental conditions (ambient light, modulated lamps etc.). Other special features are used to adapt to the current application to secure best transmission quality.

Figure 1-1. Block Diagram



2. Absolute Maximum Ratings

Stresses beyond those listed under “Absolute Maximum Ratings” may cause permanent damage to the device. This is a stress rating only and functional operation of the device at these or any other conditions beyond those indicated in the operational sections of this specification is not implied. Exposure to absolute maximum rating conditions for extended periods may affect device reliability.

Parameter	Symbol	Value	Unit
Supply voltage	V_S	-0.3 to +6	V
Supply current	I_S	3	mA
Input voltage	V_{IN}	-0.3 to V_S	V
Input DC current at $V_S = 5V$	I_{IN}	0.75	mA
Output voltage	V_O	-0.3 to V_S	V
Output current	I_O	10	mA
Operating temperature	T_{amb}	-25 to +85	°C
Storage temperature	T_{stg}	-40 to +125	°C
Power dissipation at $T_{amb} = 25^\circ C$	P_{tot}	30	mW

3. Electrical Characteristics, 3-V Operation

$T_{amb} = -25^{\circ}\text{C}$ to $+85^{\circ}\text{C}$, $V_S = 2.7\text{V}$ to 3.3V unless otherwise specified.

No.	Parameters	Test Conditions	Symbol	Min.	Typ.	Max.	Unit	Type*
1 Supply								
1.1	Supply-voltage range		V_S	2.7	3.0	3.3	V	C
1.2	Supply current	$I_{IN} = 0$	I_S	0.45	0.6	0.85	mA	B
2 Output								
2.1	Internal pull-up resistor	$T_{amb} = 25^{\circ}\text{C}$	R_{PU}		40		k Ω	A
2.2	Output voltage low	$R_2 = 1.4\text{k}\Omega$	V_{OL}			250	mV	B
2.3	Output voltage high		V_{OH}	$V_S - 0.25$		V_S	V	B
2.4	Output current clamping	$R_2 = 0$	I_{OCL}		8		mA	B
3 Input								
3.1	Input DC current	$I_{IN} = -150\mu\text{A}$, $V_S = 2.7\text{V}$ measure V_{IN}	I_{IN_DCMAX}	0			V	B
3.2	Input DC current	$V_{IN} = 0$; $V_S = 3\text{V}$ $T_{amb} = 25^{\circ}\text{C}$	I_{IN_DCMAX}		-350		μA	C
3.3	Minimum detection threshold current	Test signal: $V_S = 3\text{V}$	I_{Eemin}		-850		pA	B
3.4	Minimum detection threshold current with AC current disturbance $I_{IN_AC100} = 3\mu\text{A}$ at 100 Hz	$T_{amb} = 25^{\circ}\text{C}$, $I_{IN_DC} = 1\mu\text{A}$ square pp burst N = 16 $f = f_0$; $t_{PER} = 10\text{ms}$ BER = 50 ⁽¹⁾	I_{Eemin}		-1300		pA	C
3.5	Maximum detection threshold current with $V_{IN} > 0\text{V}$	Test signal: $V_S = 3\text{V}$, $T_{amb} = 25^{\circ}\text{C}$ $I_{IN_DC} = 1\mu\text{A}$ square pp burst N = 16 $f = f_0$; $t_{PER} = 10\text{ms}$ BER = 5% ⁽¹⁾	I_{Eemax}	-200			μA	D
4 Controlled Amplifier and Filter								
4.1	Maximum value of variable gain (CGA)	$V_S = 3\text{V}$, $T_{amb} = 25^{\circ}\text{C}$	G_{VARMAX}		50		dB	D
4.2	Minimum value of variable gain (CGA)	$V_S = 3\text{V}$, $T_{amb} = 25^{\circ}\text{C}$	G_{VARMIN}		-6		dB	D
4.3	Total internal amplification ⁽²⁾	$V_S = 3\text{V}$, $T_{amb} = 25^{\circ}\text{C}$	G_{MAX}		72		dB	D
4.4	Center frequency fusing accuracy of bandpass	$V_S = 3\text{V}$, $T_{amb} = 25^{\circ}\text{C}$ 0.5% accuracy	f_{03V_FUZE}	-2.5	f_0	+2.5	%	A
4.5	Overall accuracy center frequency of bandpass		f_{03V}	-6.5	f_0	+3.5	%	C
4.6	Overall accuracy center frequency of bandpass	$T_{amb} = 0$ to 70°C	f_{03V}	-5.5	f_0	+3.0	%	C
4.7	BPF bandwidth	-3dB; $f_0 = 38\text{kHz}$	B		4.5		kHz	C

*) Type means: A = 100% tested, B = 100% correlation tested, C = Characterized on samples, D = Design parameter

- Notes:
- BER = bit error rate; e.g., BER = 5% means that with P = 20 at the input pin 19...21 pulses can appear at the pin OUT
 - After transformation of input current into voltage

4. Electrical Characteristics, 5-V Operation

$T_{amb} = -25^{\circ}\text{C}$ to $+85^{\circ}\text{C}$, $V_S = 4.5\text{V}$ to 5.5V unless otherwise specified.

No.	Parameters	Test Conditions	Symbol	Min.	Typ.	Max.	Unit	Type*
5	Supply							
5.1	Supply-voltage range		V_S	4.5	5.0	5.5	V	C
5.2	Supply current	$I_{IN} = 0$	I_S	0.5	0.7	0.95	mA	B
6	Output							
6.1	Internal pull-up resistor	$T_{amb} = 25^{\circ}\text{C}$	R_{PU}		40		k Ω	C
6.2	Output voltage low	$R_2 = 2.4\text{k}\Omega$	V_{OL}			250	mV	C
6.3	Output voltage high		V_{OH}	$V_S - 0.25$		V_S	V	C
6.4	Output current clamping	$R_2 = 0$	I_{OCL}		8		mA	C
7	Input							
7.1	Input DC current	$I_{IN} = -370\mu\text{A}$, $V_S = 4.5\text{V}$ measure V_{IN}	I_{IN_DCMAX}	0			V	B
7.2	Input DC-current	$V_{IN} = 0$; $V_S = 5\text{V}$ $T_{amb} = 25^{\circ}\text{C}$	I_{IN_DCMAX}		-700		μA	C
7.3	Min. detection threshold current	Test signal: $V_S = 5\text{V}$ $T_{amb} = 25^{\circ}\text{C}$	I_{Eemin}		-1000		pA	B
7.4	Min. detection threshold current with AC current disturbance $I_{IN_AC100} = 3\mu\text{A}$ at 100Hz	$I_{IN_DC} = 1\mu\text{A}$ square pp burst N = 16 $f = f_0$; $t_{PER} = 10\text{ms}$ BER = 50 ⁽¹⁾	I_{Eemin}		-2000		pA	C
7.5	Max. detection threshold current with $V_{IN} > 0\text{V}$	Test signal: $V_S = 5\text{V}$, $T_{amb} = 25^{\circ}\text{C}$ $I_{IN_DC} = 1\mu\text{A}$ square pp burst N = 16 $f = f_0$; $t_{PER} = 10\text{ms}$ BER = 5% ⁽¹⁾	I_{Eemax}	-500			μA	D
8	Controlled Amplifier and Filter							
8.1	Maximum value of variable gain (CGA)	$V_S = 5\text{V}$, $T_{amb} = 25^{\circ}\text{C}$	G_{VARMAX}		50		dB	D
8.2	Minimum value of variable gain (CGA)	$V_S = 5\text{V}$, $T_{amb} = 25^{\circ}\text{C}$	G_{VARMIN}		-6		dB	D
8.3	Total internal amplification ⁽²⁾	$V_S = 5\text{V}$, $T_{amb} = 25^{\circ}\text{C}$	G_{MAX}		72		dB	D
8.4	Resulting center frequency fusing accuracy	f_0 fused at $V_S = 3\text{V}$ $V_S = 5\text{V}$, $T_{amb} = 25^{\circ}\text{C}$	f_{05V}			$f_{03V-FUSE} - 0.5$	kHz	C

*) Type means: A = 100% tested, B = 100% correlation tested, C = Characterized on samples, D = Design parameter

- Notes:
- BER = bit error rate; e.g., BER = 5% means that with P = 20 at the input pin 19...21 pulses can appear at the pin OUT
 - After transformation of input current into voltage

4.1 ESD

2000V HBM; ESD STM5.1-2007, JESD22-A114F 2008, AEC-Q100-002-Ref-D 750V CDM;
ESD STM.5.3.1-1999

4.2 Reliability

Electrical qualification (1000h at 150°C) in molded SO8 plastic package.

5. Typical Electrical Curves at $T_{amb} = 25^{\circ}\text{C}$

Figure 5-1. I_{Eemin} versus I_{IN_DC} , $V_S = 3\text{V}$

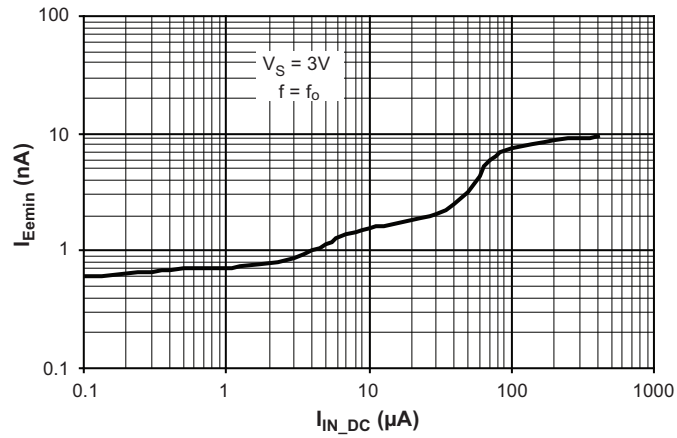


Figure 5-2. I_{Eemin} versus I_{IN_DC} , $V_S = 5\text{V}$

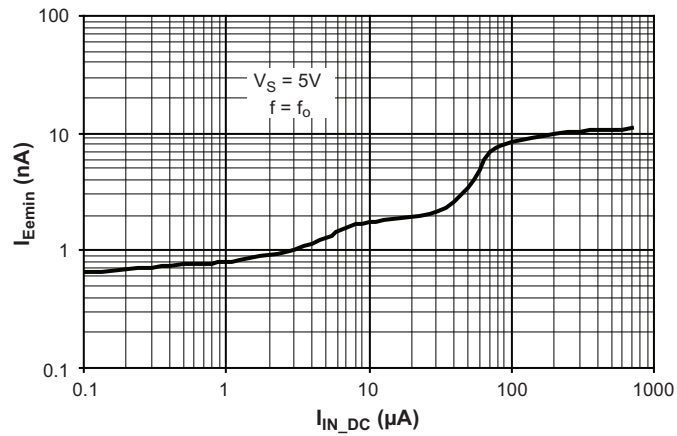


Figure 5-3. V_{IN} versus I_{IN_DC} , $V_S = 3\text{V}$

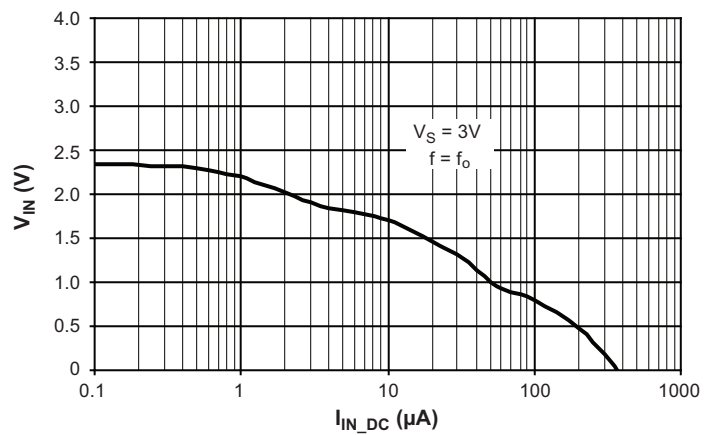


Figure 5-4. V_{IN} versus I_{IN_DC} , $V_S = 5V$

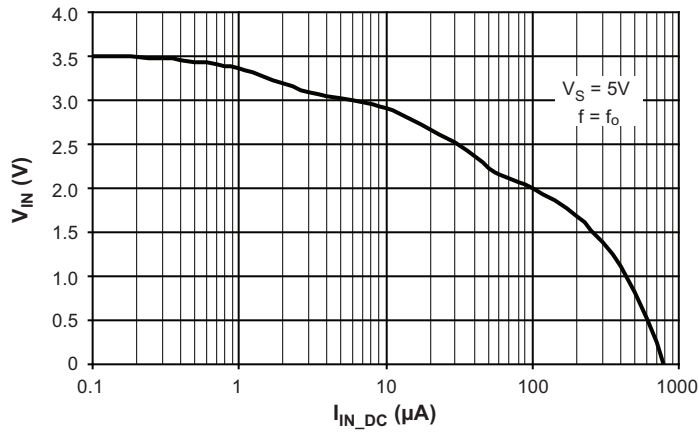


Figure 5-5. Data Transmission Rate, $V_S = 3V$

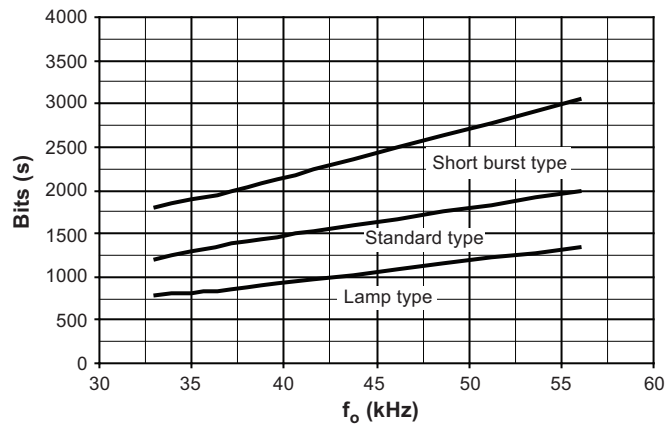


Figure 5-6. Data Transmission Rate, $V_S = 5V$

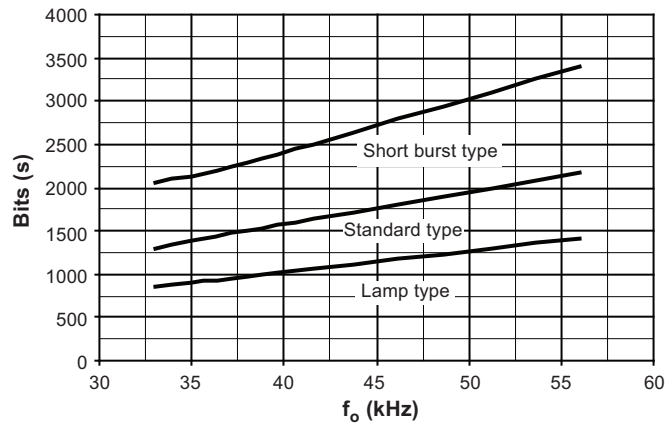
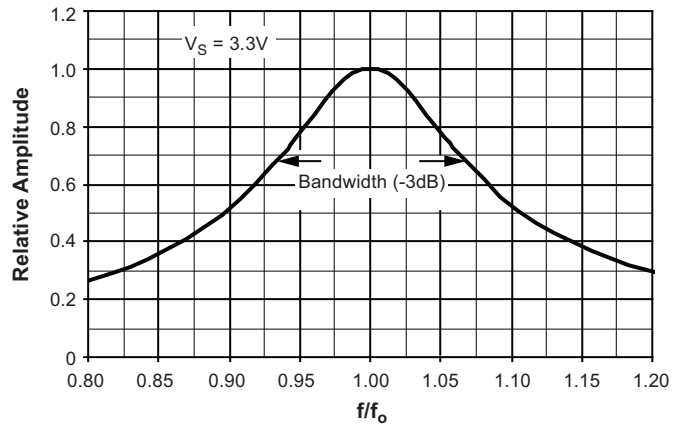
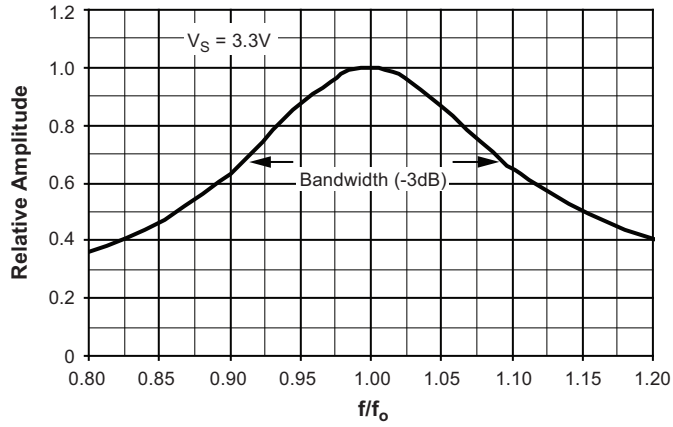


Figure 5-7. Typical Bandpass Curve Standard and Lamp Type



$Q = (f/f_0) / B$; B \rightarrow -3dB values
 Example: $Q = 1 / (1.06 - 0.94) = 8.3$

Figure 5-8. Typical Bandpass Curve Short Burst Type



$Q = (f/f_0) / B$; B \rightarrow -3dB values
 Example: $Q = 1 / (1.08 - 0.93) = 6.7$

Figure 5-9. Illustration of Used Terms, Example: $f = 38\text{kHz}$, burst with 16 pulses, 16 periods

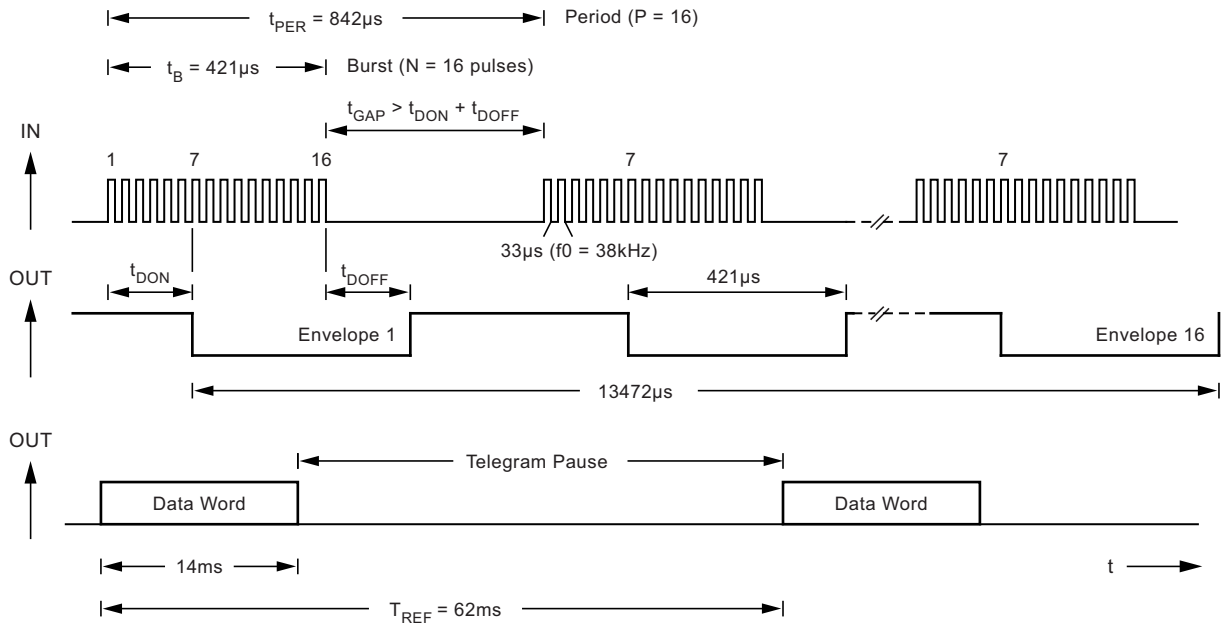


Figure 5-10. Test Circuit

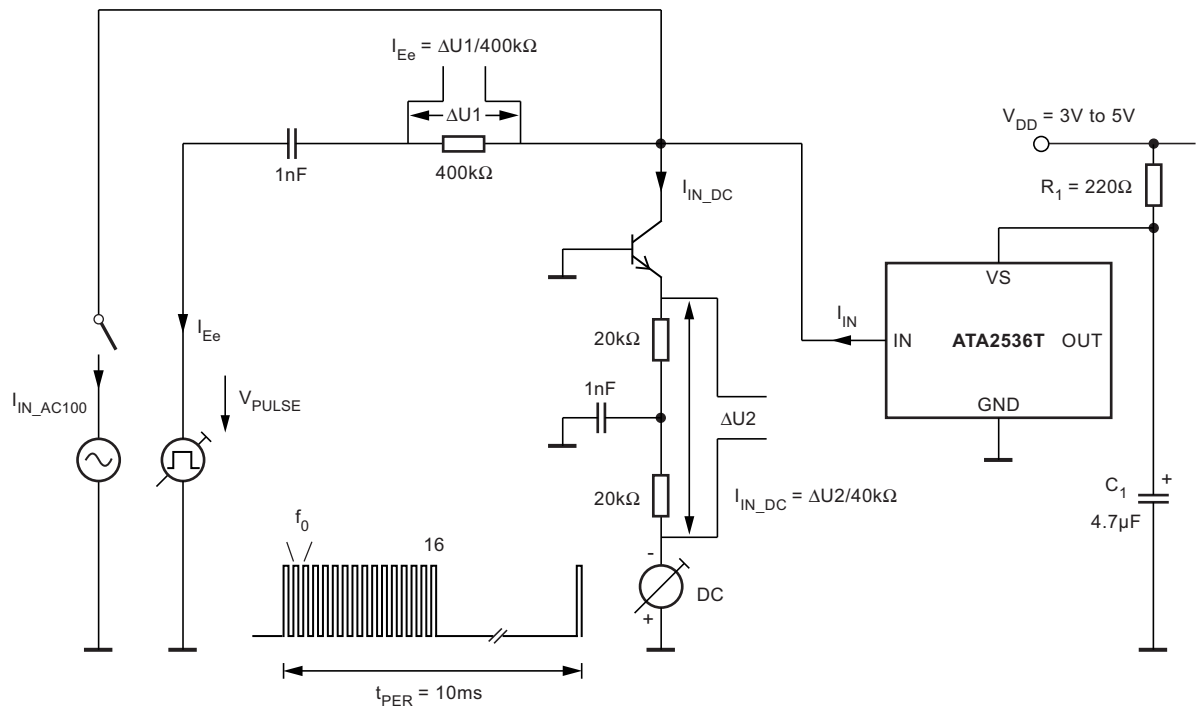
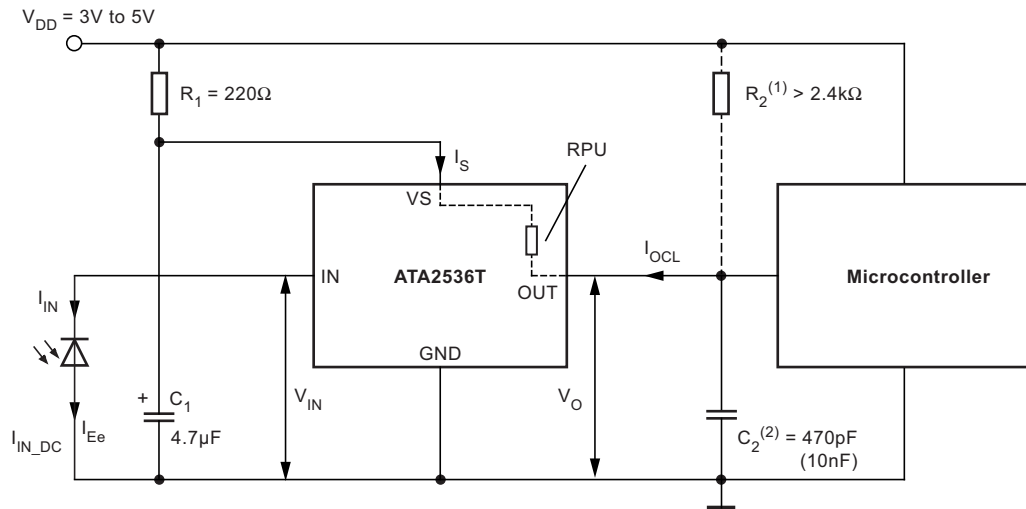


Figure 5-11. Application Circuit



(1) Optional

(2) The value of C_2 is dimensioned for the short burst type ATA2536T7xx. For the other types C_2 can be omitted.

In case of an optional resistor $R_2 > 2.4k\Omega$ the value of C_2 must be increased to $C_2 = 10nF$. For the other types $C_2 = 470pF$ is sufficient.

6. Ordering Information

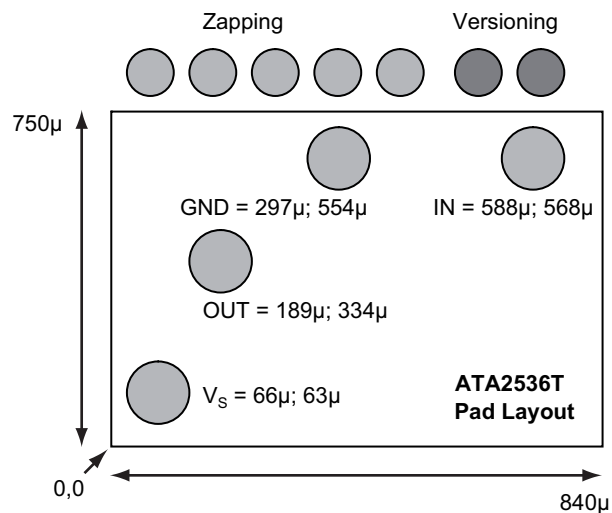
Delivery: unsawn wafers (DDW) in box

Extended Type Number	D ⁽²⁾	Type
ATA2536T1xx ⁽¹⁾ -DDW	2175	Standard type: ≥ 10 pulses, high data rate
ATA2536T3xx ⁽¹⁾ -DDW	1400	Lamp type: ≥ 10 pulses, enhanced suppression of disturbances, secure data transmission
ATA2536T7xx ⁽¹⁾ -DDW	3415	Short burst type: ≥ 6 pulses, highest data rate

- Notes: 1. xx means carrier frequency value (36, 37, 38 or 40kHz typical), frequency value 33kHz and 56kHz on request
 2. Maximum data transmission rate up to bits/s with $f_0 = 56\text{kHz}$, $V_S = 5\text{V}$

6.1 Pad Layout and Dimensions

Figure 6-1. Pad Layout



Note: The pad coordinates are given for the centre of the pad, values in μm from the origin (0;0)

Dimensions	Length inclusive scribe	0.75mm
	Width inclusive scribe	0.84mm
	Thickness	290 μm $\pm 5\%$
	Pads	80 μm diameter
	Fusing pads	60 μm diameter
Pad metallurgy	Material	AlSiCu
	Thickness	1.0 μm
Finish	Material	PSG + Si ₃ N ₄
	Thickness	1.0 μm

Table 6-1. Pin Description

SYMBOL	FUNCTION
OUT	Data output
VS	Supply voltage
GND	GND
IN	Input pin diode
Zapping	f_0 adjust
Versioning	Type adjust

7. Revision History

Please note that the following page numbers referred to in this section refer to the specific revision mentioned, not to this document.

Revision No.	History
9226C-AUTO-05/14	<ul style="list-style-type: none">• Put datasheet in the latest template
9226B-AUTO-09/11	<ul style="list-style-type: none">• Figure 5-11 “Application Circuit” on page 11 updated



Atmel Corporation 1600 Technology Drive, San Jose, CA 95110 USA T: (+1)(408) 441.0311 F: (+1)(408) 436.4200 | www.atmel.com

© 2014 Atmel Corporation. / Rev.: Rev.: 9226C-AUTO-05/14

Atmel®, Atmel logo and combinations thereof, Enabling Unlimited Possibilities®, and others are registered trademarks or trademarks of Atmel Corporation in U.S. and other countries. Other terms and product names may be trademarks of others.

DISCLAIMER: The information in this document is provided in connection with Atmel products. No license, express or implied, by estoppel or otherwise, to any intellectual property right is granted by this document or in connection with the sale of Atmel products. EXCEPT AS SET FORTH IN THE ATMEL TERMS AND CONDITIONS OF SALES LOCATED ON THE ATMEL WEBSITE, ATMEL ASSUMES NO LIABILITY WHATSOEVER AND DISCLAIMS ANY EXPRESS, IMPLIED OR STATUTORY WARRANTY RELATING TO ITS PRODUCTS INCLUDING, BUT NOT LIMITED TO, THE IMPLIED WARRANTY OF MERCHANTABILITY, FITNESS FOR A PARTICULAR PURPOSE, OR NON-INFRINGEMENT. IN NO EVENT SHALL ATMEL BE LIABLE FOR ANY DIRECT, INDIRECT, CONSEQUENTIAL, PUNITIVE, SPECIAL OR INCIDENTAL DAMAGES (INCLUDING, WITHOUT LIMITATION, DAMAGES FOR LOSS AND PROFITS, BUSINESS INTERRUPTION, OR LOSS OF INFORMATION) ARISING OUT OF THE USE OR INABILITY TO USE THIS DOCUMENT, EVEN IF ATMEL HAS BEEN ADVISED OF THE POSSIBILITY OF SUCH DAMAGES. Atmel makes no representations or warranties with respect to the accuracy or completeness of the contents of this document and reserves the right to make changes to specifications and products descriptions at any time without notice. Atmel does not make any commitment to update the information contained herein. Unless specifically provided otherwise, Atmel products are not suitable for, and shall not be used in, automotive applications. Atmel products are not intended, authorized, or warranted for use as components in applications intended to support or sustain life.

SAFETY-CRITICAL, MILITARY, AND AUTOMOTIVE APPLICATIONS DISCLAIMER: Atmel products are not designed for and will not be used in connection with any applications where the failure of such products would reasonably be expected to result in significant personal injury or death ("Safety-Critical Applications") without an Atmel officer's specific written consent. Safety-Critical Applications include, without limitation, life support devices and systems, equipment or systems for the operation of nuclear facilities and weapons systems. Atmel products are not designed nor intended for use in military or aerospace applications or environments unless specifically designated by Atmel as military-grade. Atmel products are not designed nor intended for use in automotive applications unless specifically designated by Atmel as automotive-grade.