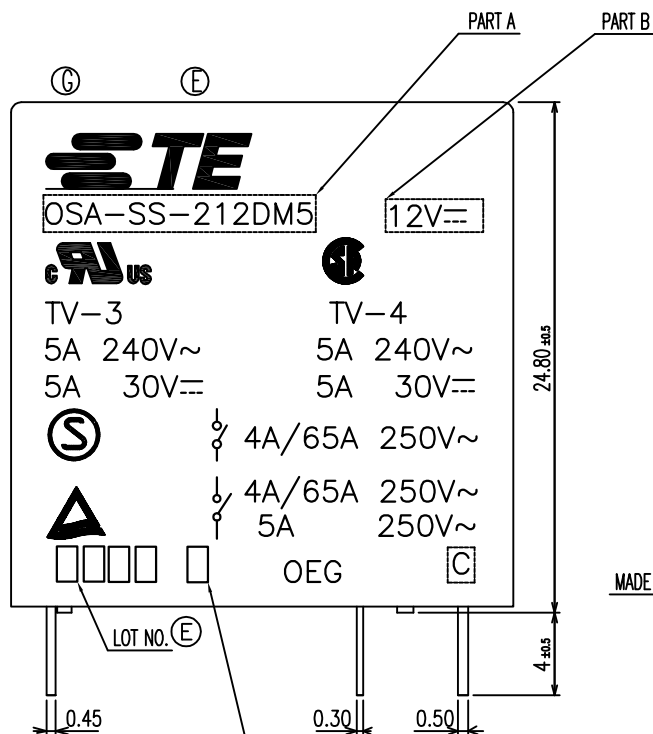


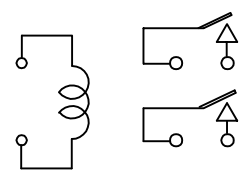
THIS DRAWING IS UNPUBLISHED. RELEASED FOR PUBLICATION
 © COPYRIGHT ALL RIGHTS RESERVED.

| LOC | HB | DIST | REVISIONS | | | | | |
|-----|----|------|-----------|-----|--|---------|------|------|
| | | | P | LTR | DESCRIPTION | DATE | DWN | APVD |
| | | | E | 1 | REVISED PER ECO-11-005140 | 29MAR11 | RK | HMR |
| | | | G | | 1.CHANGE TE LOGO 2. ADD LINE IDENTIFICATIONS 3.TERMINALS TOLERANCE CLARIFICATION ECO-12-005305 | 28MAR12 | YS.H | BH.Y |

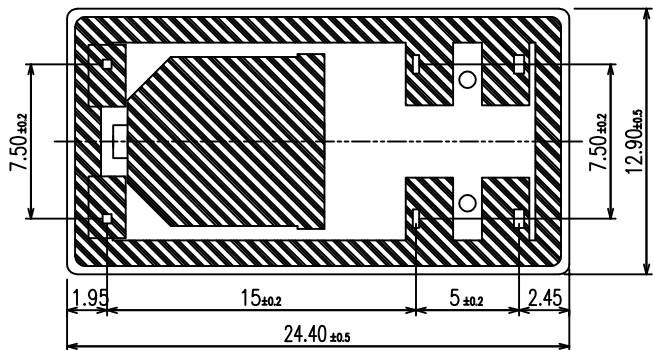
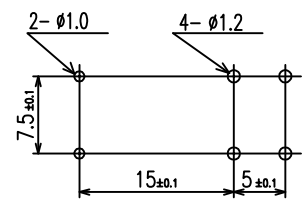


MADE IN CHINA

CONNECTION DIAGRAM?BOTTM VIEW?



DRILLING DIAGRAM?BOTTM VIEW?



| TOLERANCE | |
|-------------------|-----------|
| Diagram dimension | Tolerance |
| max. 1mm | ±0.1mm |
| 1 - 3mm | ±0.2mm |
| min. 3mm | ±0.3mm |

| | | | |
|--------------------|--|-------------------------|-----------------|
| DWN H.SASAKI | | TE Connectivity | |
| CHK Y.OIKAWA | | | |
| APVD A.NAGAI | | NAME | |
| PRODUCT SPEC - | | OSA-SS-DM5,000 ,000M | |
| APPLICATION SPEC - | | RESTRICTED TO | |
| MATERIAL - | | SIZE A3 | CAGE CODE 00779 |
| FINISH - | | DRAWING NO. 5-1419124-7 | |
| CUSTOMER DRAWING | | WEIGHT - | SCALE 4:1 |
| | | SHEET 1 OF 2 | |
| | | REV G | |

THIS DRAWING IS UNPUBLISHED.

RELEASED FOR PUBLICATION

© COPYRIGHT

ALL RIGHTS RESERVED.

LOC HB

DIST

REVISIONS

| P | LTR | DESCRIPTION | ECN | DATE | DWN | APVD |
|---|-----|-------------|-----|------|-----|------|
| | | | | | | |

| ① | 9-1440001-1 | OSA-SS-224DM5 | 24VDC | OSA-SS-224DM5 | o |
|-----------------------------|-------------|---------------|--------|---------------|---|
| ① | 9-1440001-0 | OSA-SS-218DM5 | 18VDC | OSA-SS-218DM5 | n |
| ① | 8-1440001-9 | OSA-SS-212DM5 | 12VDC | OSA-SS-212DM5 | m |
| ① | 8-1440001-8 | OSA-SS-212DM5 | 12VDC | OSA-SS-212DM5 | l |
| ① | 8-1440001-7 | OSA-SS-209DM5 | 9VDC | OSA-SS-209DM5 | k |
| ① | 8-1440001-6 | OSA-SS-206DM5 | 6VDC | OSA-SS-206DM5 | j |
| ① | 8-1440001-5 | OSA-SS-205DM5 | 5VDC | OSA-SS-205DM5 | i |
| | 1461388-9 | OSA-SS-248DM5 | 48VDC | OSA-SS-248DM5 | h |
| | 6-1419124-1 | OSA-SS-224DM5 | 24VDC | OSA-SS-224DM5 | g |
| | 3-1419145-6 | OSA-SS-218DM5 | 18VDC | OSA-SS-218DM5 | f |
| | 3-1419145-5 | OSA-SS-212DM5 | 12VDC | OSA-SS-212DM5 | e |
| | 5-1419124-7 | OSA-SS-212DM5 | 12VDC | OSA-SS-212DM5 | d |
| | 3-1419145-4 | OSA-SS-209DM5 | 9VDC | OSA-SS-209DM5 | c |
| | 5-1419124-5 | OSA-SS-206DM5 | 6VDC | OSA-SS-206DM5 | b |
| | 5-1419124-3 | OSA-SS-205DM5 | 5VDC | OSA-SS-205DM5 | a |
| TE CONNECTIVITY PART NUMBER | DESCRIPTION | PART B | PART A | ITEM | |

⑤ NOTES:

1.LOT NO. SYSTEM AS FOLLOWING:

0813

WEEK

YEAR

⑥ 2.TERMINAL DIMENSIONS BEFORE SOLDER DIP

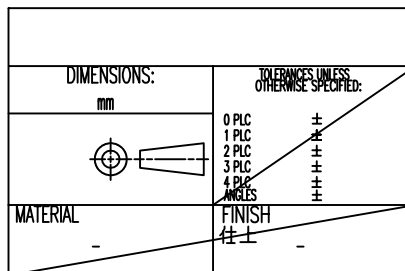
⑥ 3.FOR THE TIN-PLATING OF THE PINS:

+0.1mm FOR WIDTH, THICKNESS AND DIAMETER

+0.5mm FOR LENGTH

RELAY TYPE

| INCOMBUSTIBILITY | TREATMENT | MATERIAL | DESCRIPTION | ITEM |
|------------------|--------------|-------------|---------------------|------|
| | | EPOXY RESIN | SEAL | 14 |
| 94V-0 | | PBT | CASE | 13 |
| 94V-0 | | PA66 | CARD | 12 |
| | | Ag ALLOY | STATIONARY CONTACT | 11 |
| | | Cu ALLOY | STATIONARY TERMINAL | 10 |
| | | Ag ALLOY | MOVABLE CONTACT | 9 |
| | | Cu ALLOY | MOVABLE SPRING | 8 |
| | Cu-Ni PLATED | STEEL | ARMATURE | 7 |
| | Cu-Ni PLATED | STEEL | CORE | 6 |
| | | PBS | HINGE SPRING | 5 |
| | Ni PLATED | STEEL | YOKE | 4 |
| | | UEW | MAGNETIC WIRE | 3 |
| | | CP WIRE | COIL TERMINAL | 2 |
| 94V-0 | | PBT | BOBBIN | 1 |



| |
|------------------|
| DWN |
| CHK |
| APVD |
| PRODUCT SPEC |
| APPLICATION SPEC |
| WEIGHT |
| CUSTOMER DRAWING |

STE TE Connectivity

NAME: ① OSA-SS-DM5,000,000M

SIZE: A3 CAGE CODE: 00779 DRAWING NO: 5-1419124-7 RESTRICTED TO: -

SCALE: 4:1 SHEET: 2 OF 2 REV: G